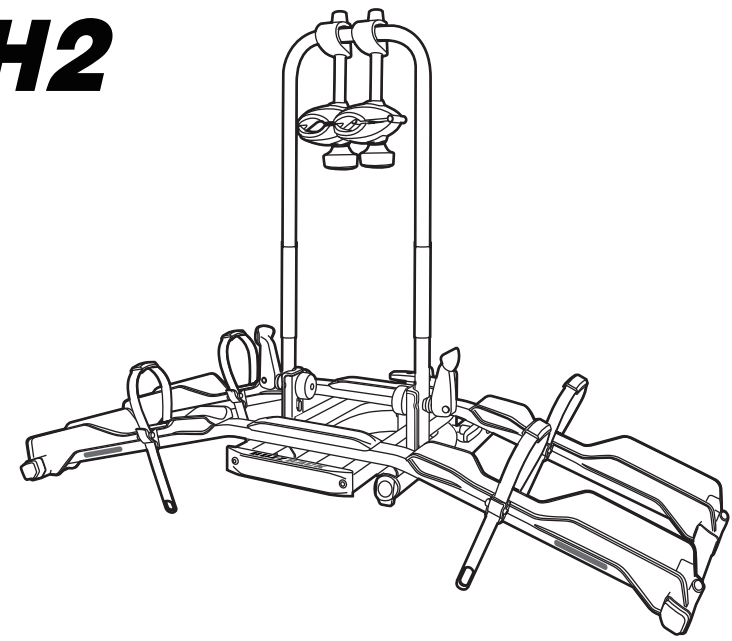


# BUZZ RACK

## E-HORNET H2



2" / Min 1.5" / E-BIKE / 16.5" / 2 / MAX 2x30kg / MAX 2x66lbs / Made in Taiwan / 94-3500-022-10-V1/20200312

**OK**

**MAX 60KG**

**E-Bike**

2 x 30kg = MAX 60 kg

**Max 4"**

Wheel base

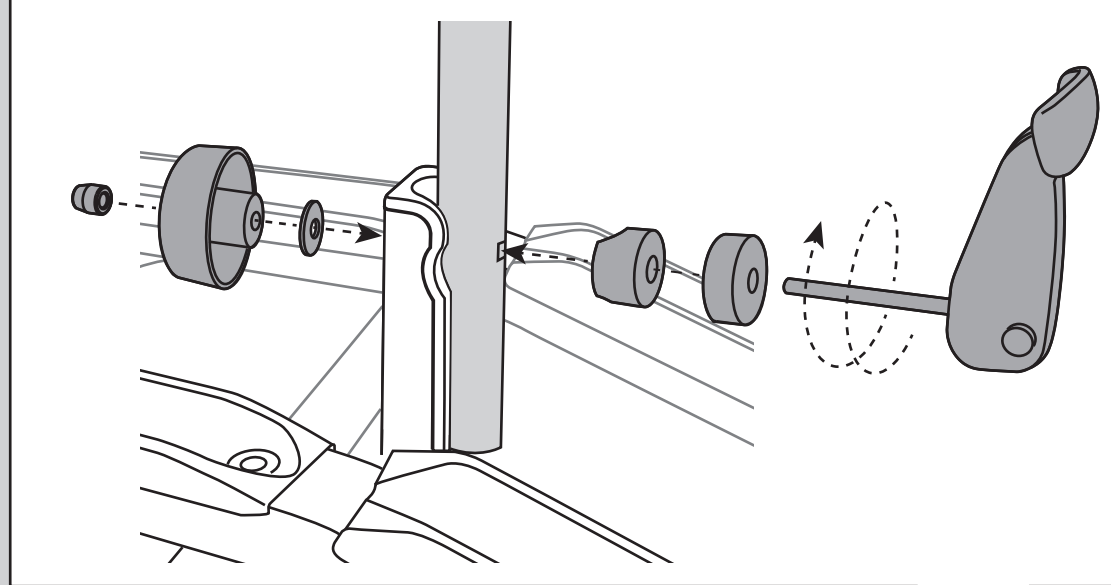
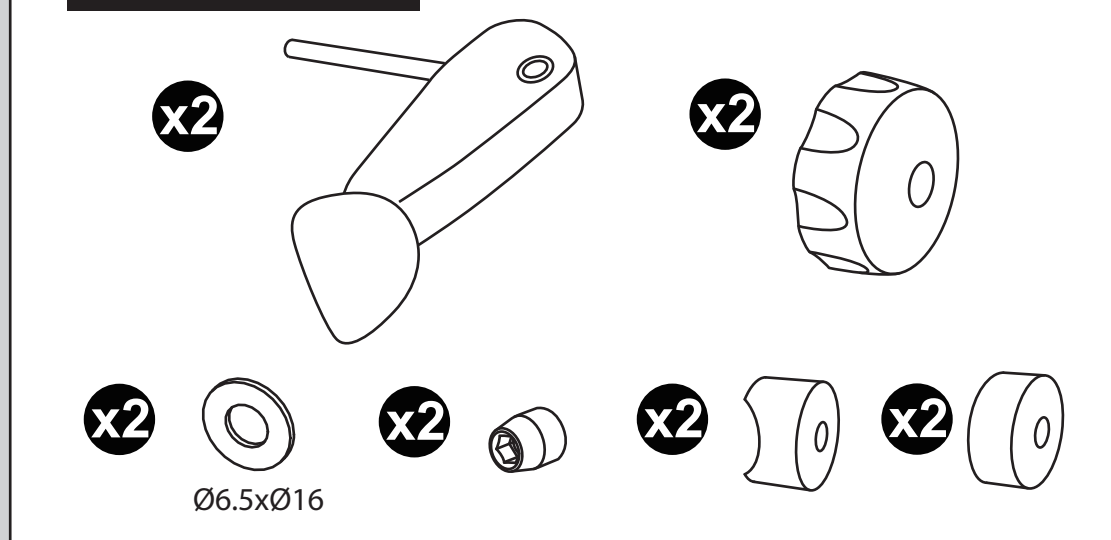
10" Tire diameter		26" Tire diameter		29" Tire diameter	
MIN	MAX	MIN	MAX	MIN	MAX
84cm(23")	96cm(38")	91cm(36")	127cm(50")	94cm(37")	134cm(53")

**ACCESSORIES**

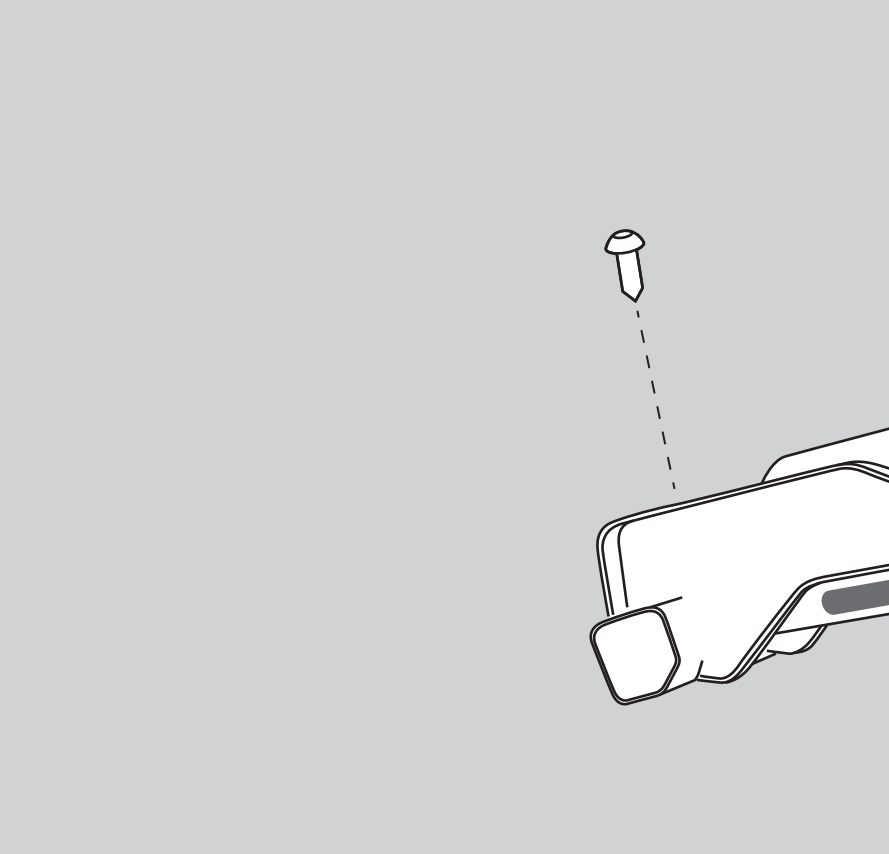
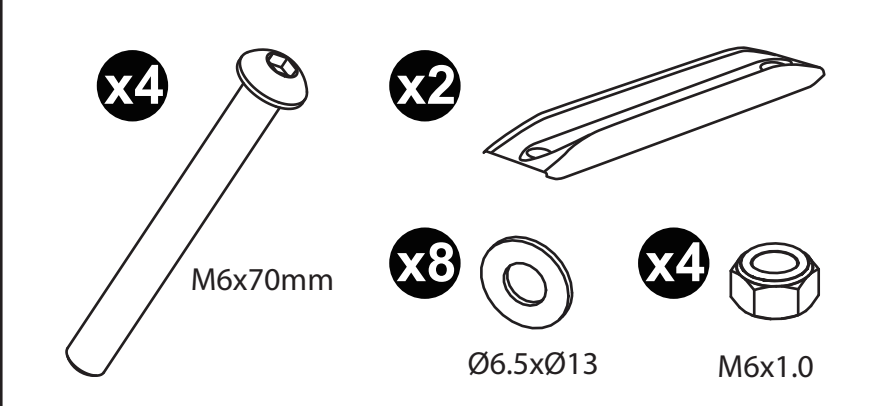
**e-RAMP**  
# 47-0116-002-10

**ANTISWAY**  
# 47-0100-045-10

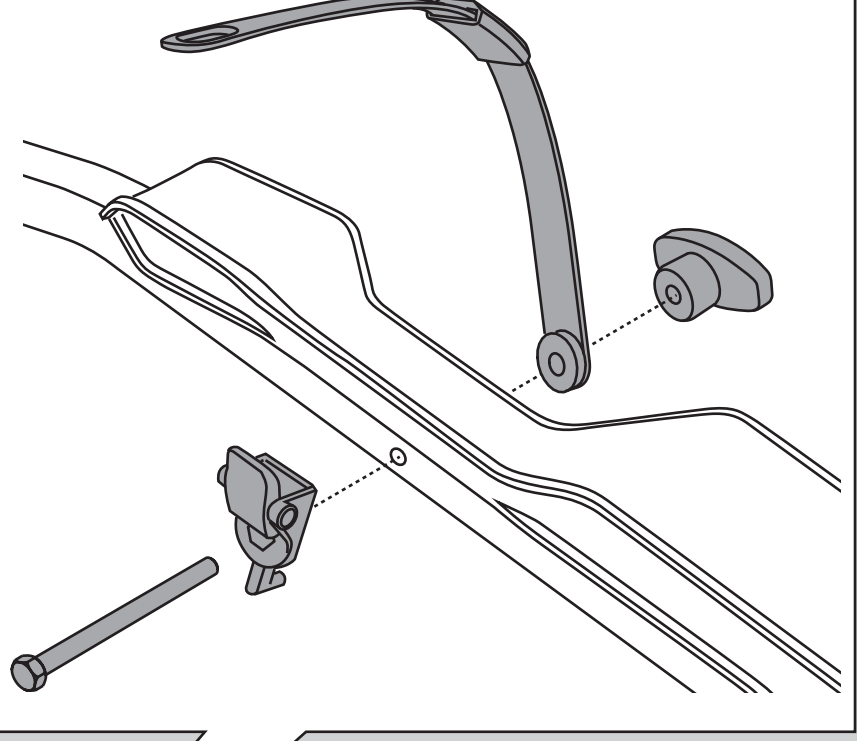
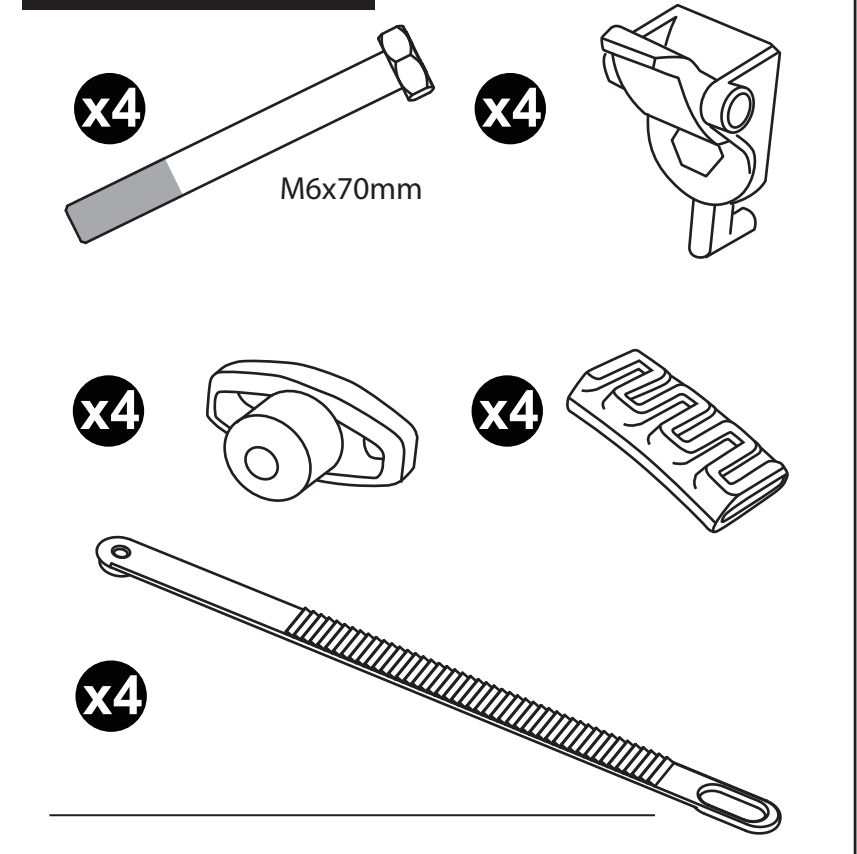
### STEP 6.



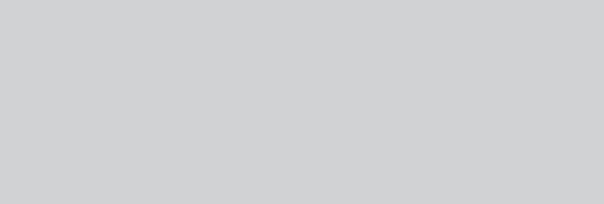
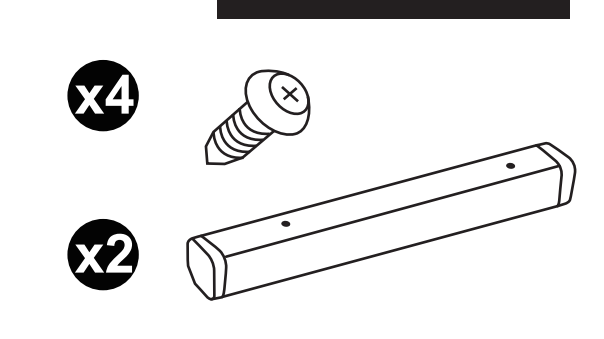
### STEP 3.



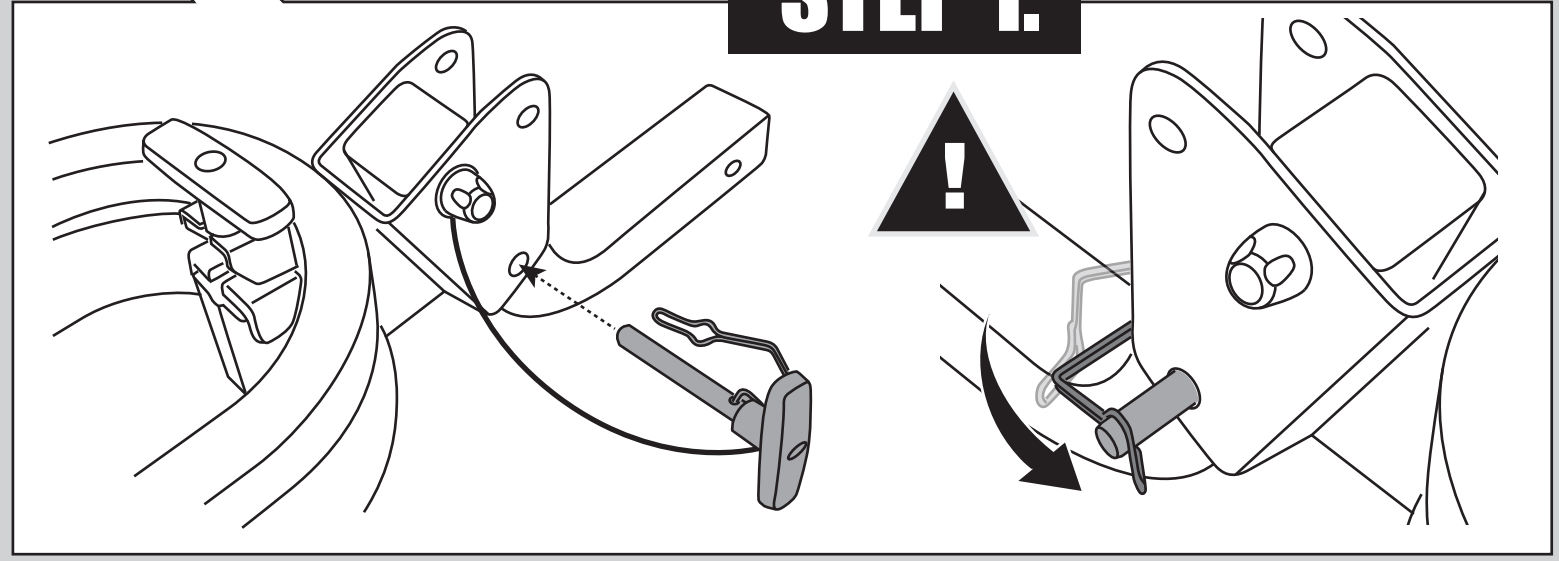
### STEP 5.



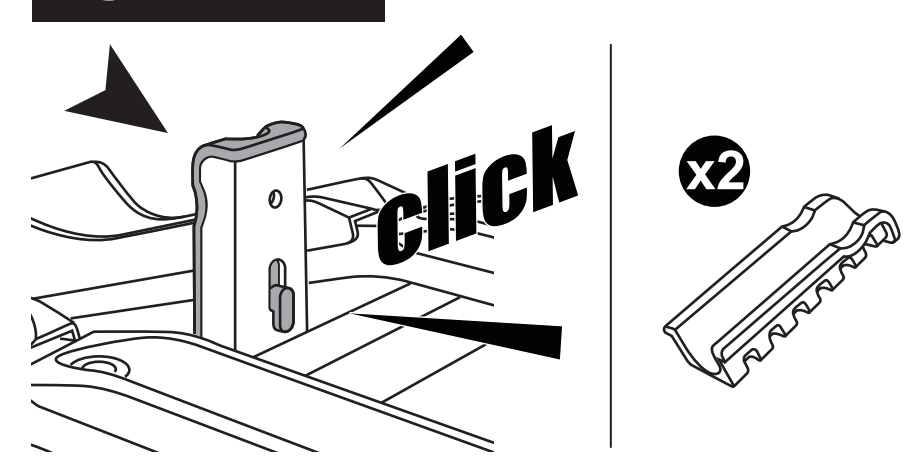
### STEP 2.



### STEP 1.



### STEP 4.



**Tool**

**1/2"-13UNC**

4.0 5.0

x1 1/2" x1 Ø13.5xØ27 x1



**1**

option 1      option 2

**2**

x2

x4

CARBON

MIN Ø25 mm  
MAX Ø50 mm

**3**

x2

**4**

**5**

**6**

**BUZZRACK**  
www.buzzrack.com  
Contact us at service@buzzrack.com if you have any questions.