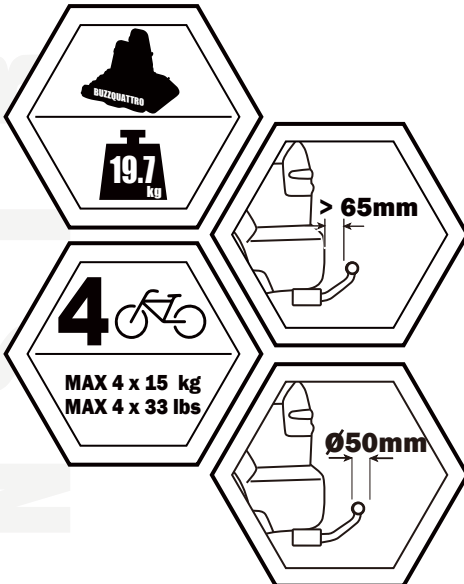
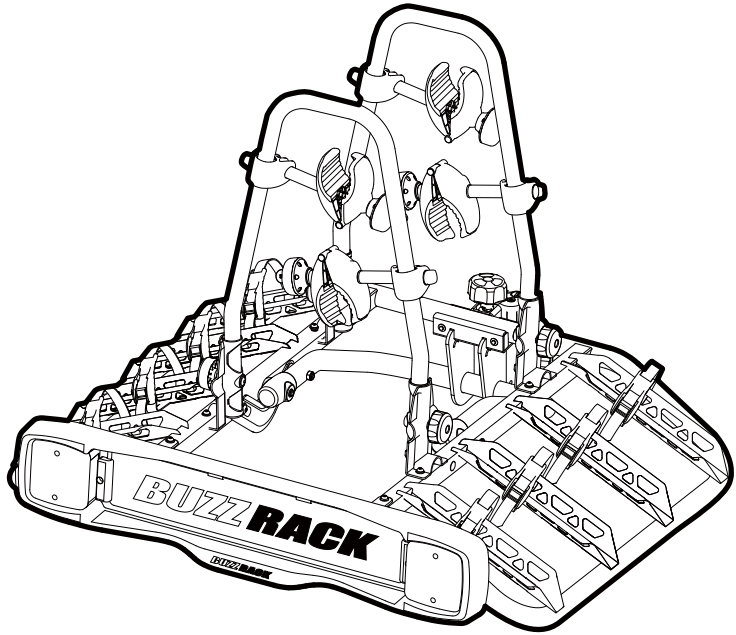
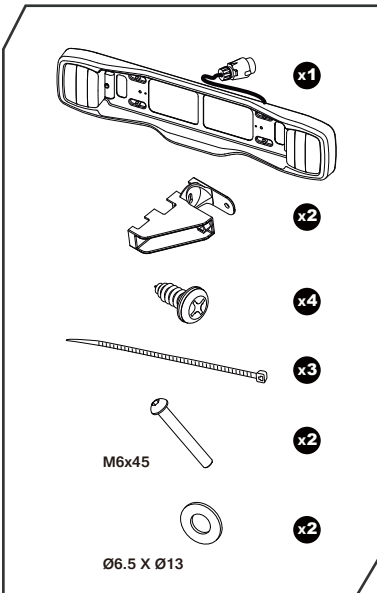
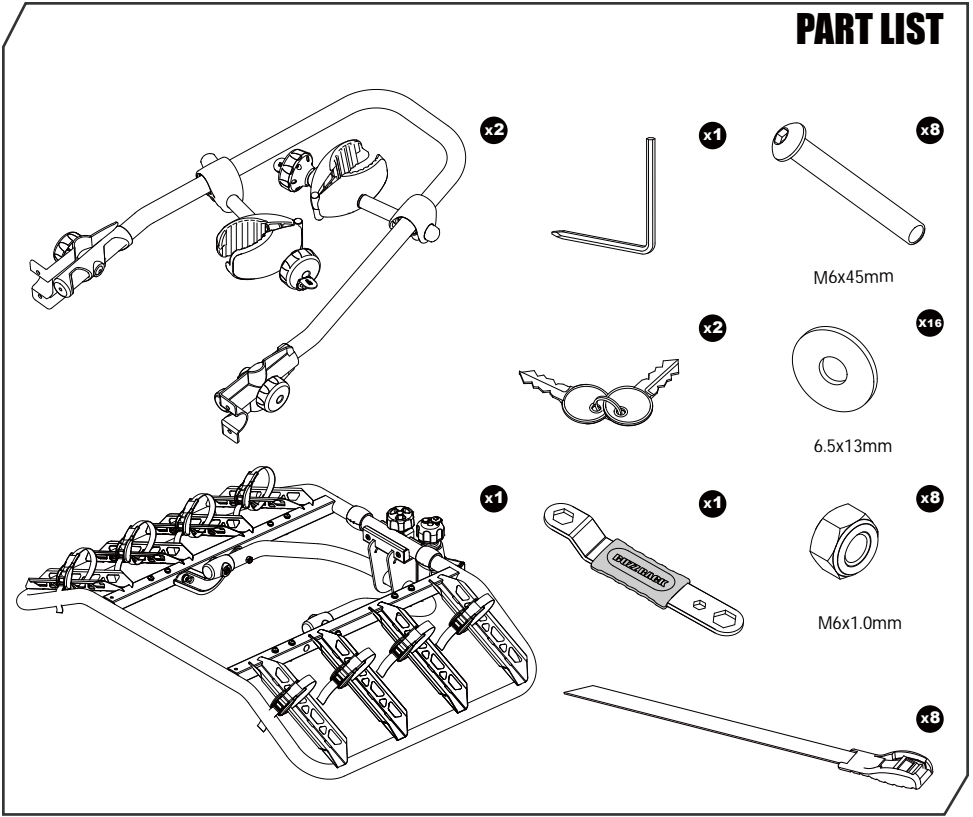


# BUZZ RACK

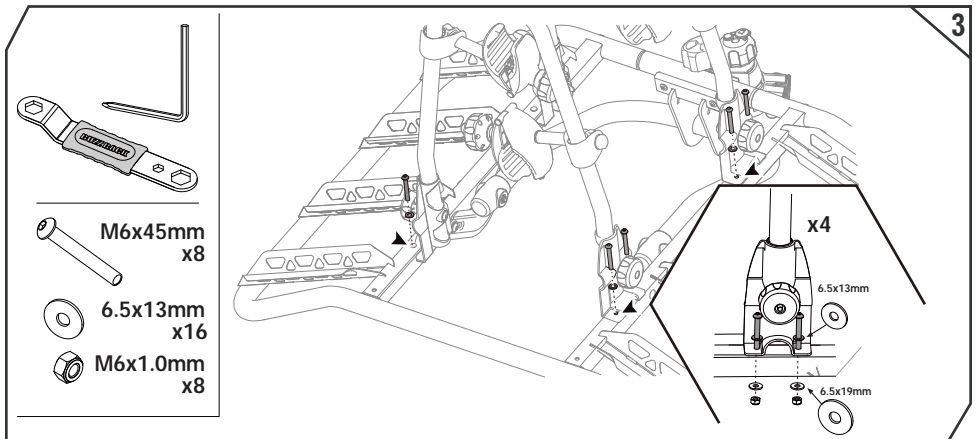
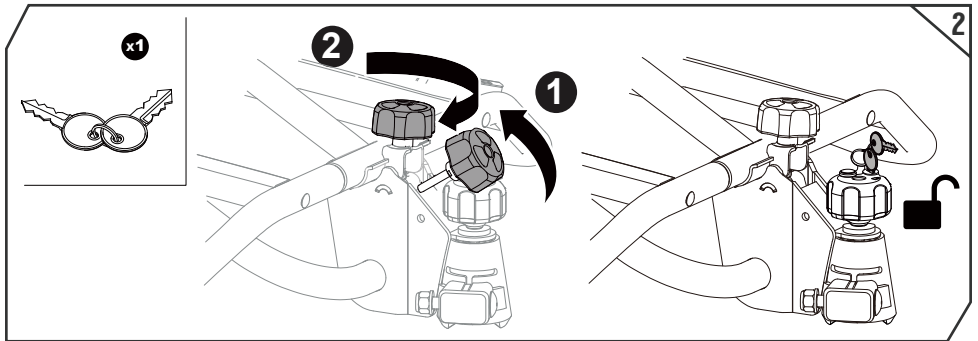
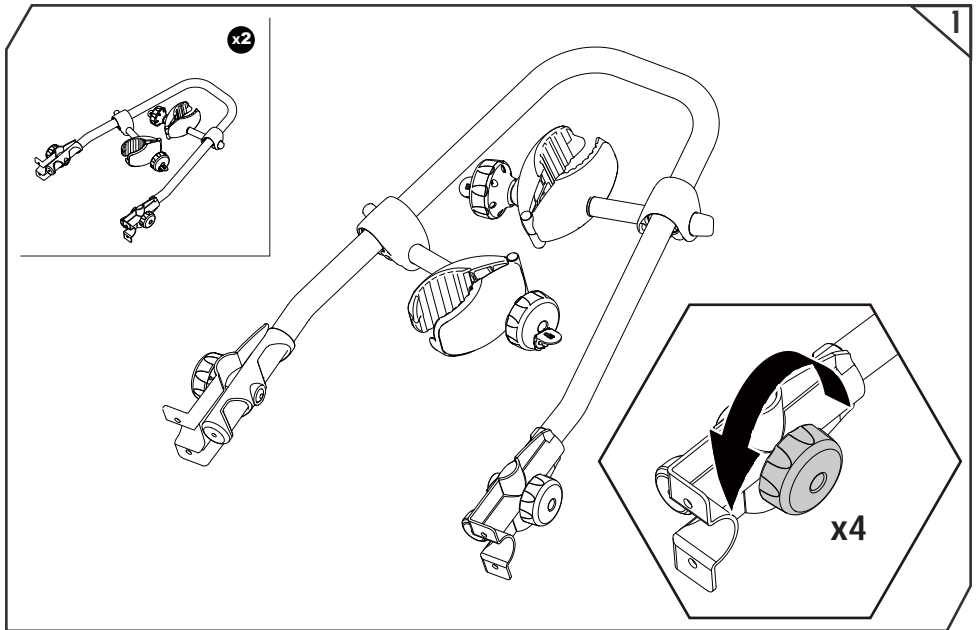


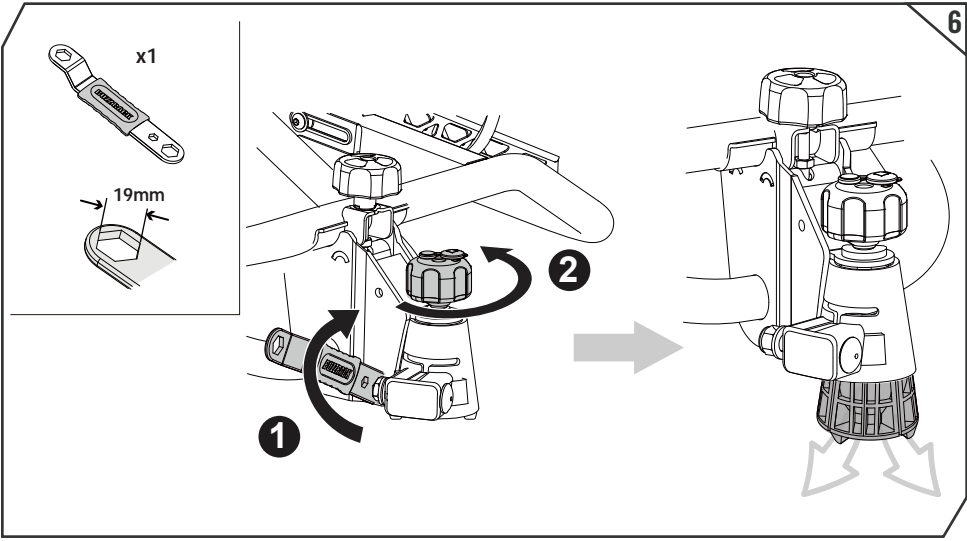
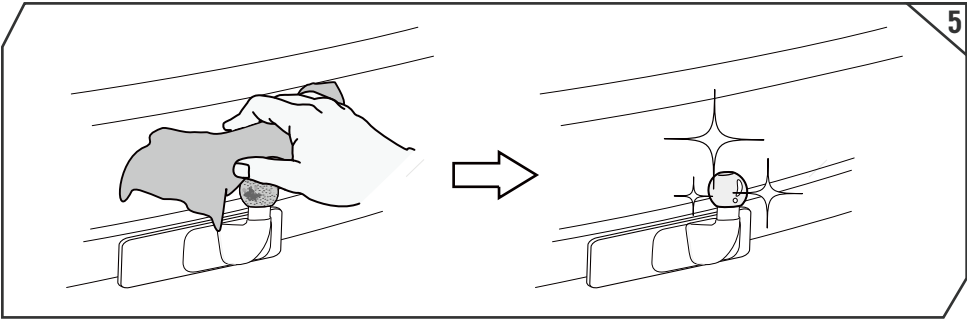
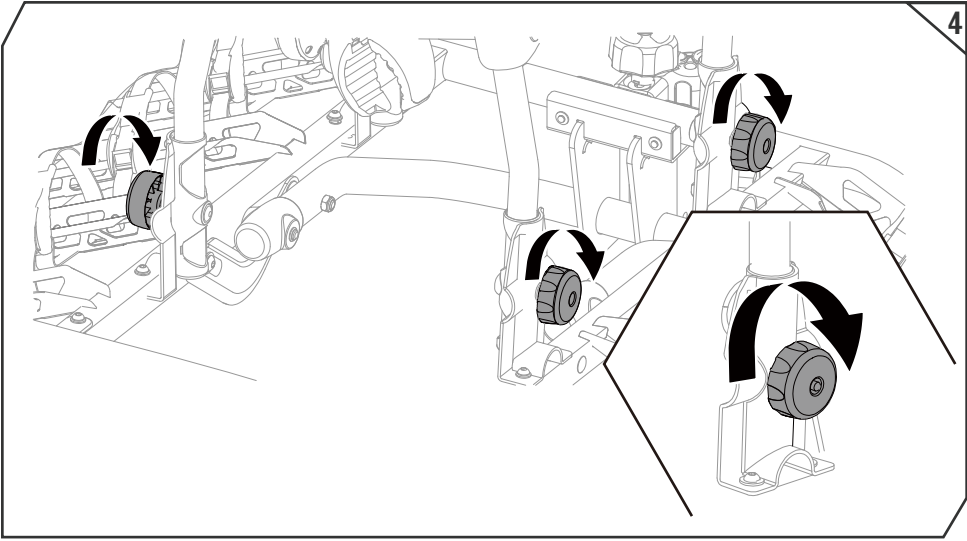
**BUZZQUATTRO**

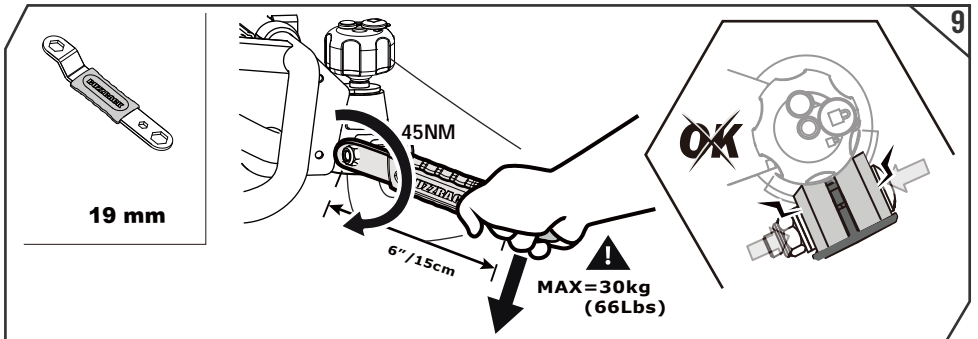
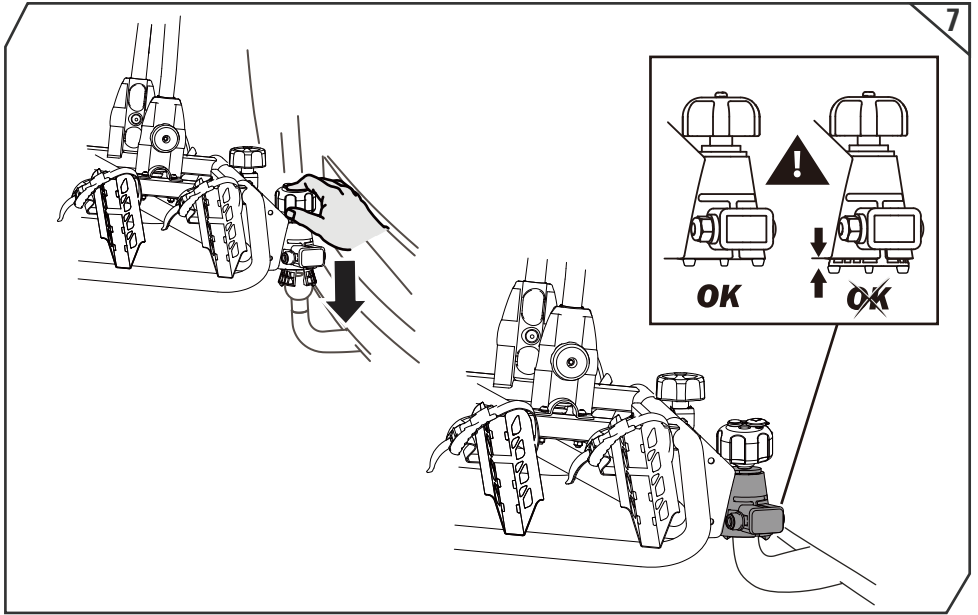
# PART LIST

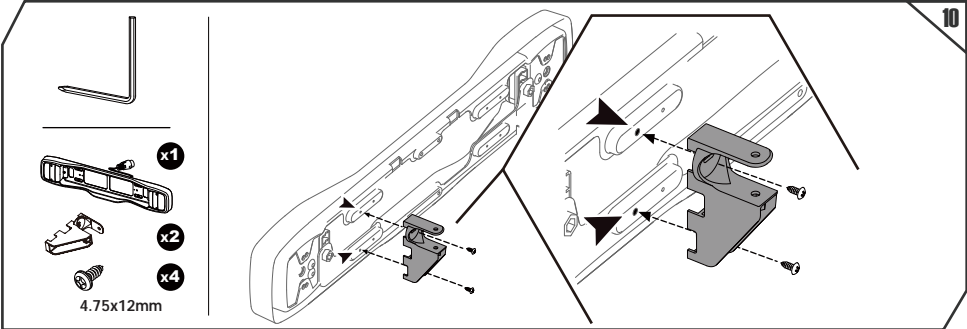
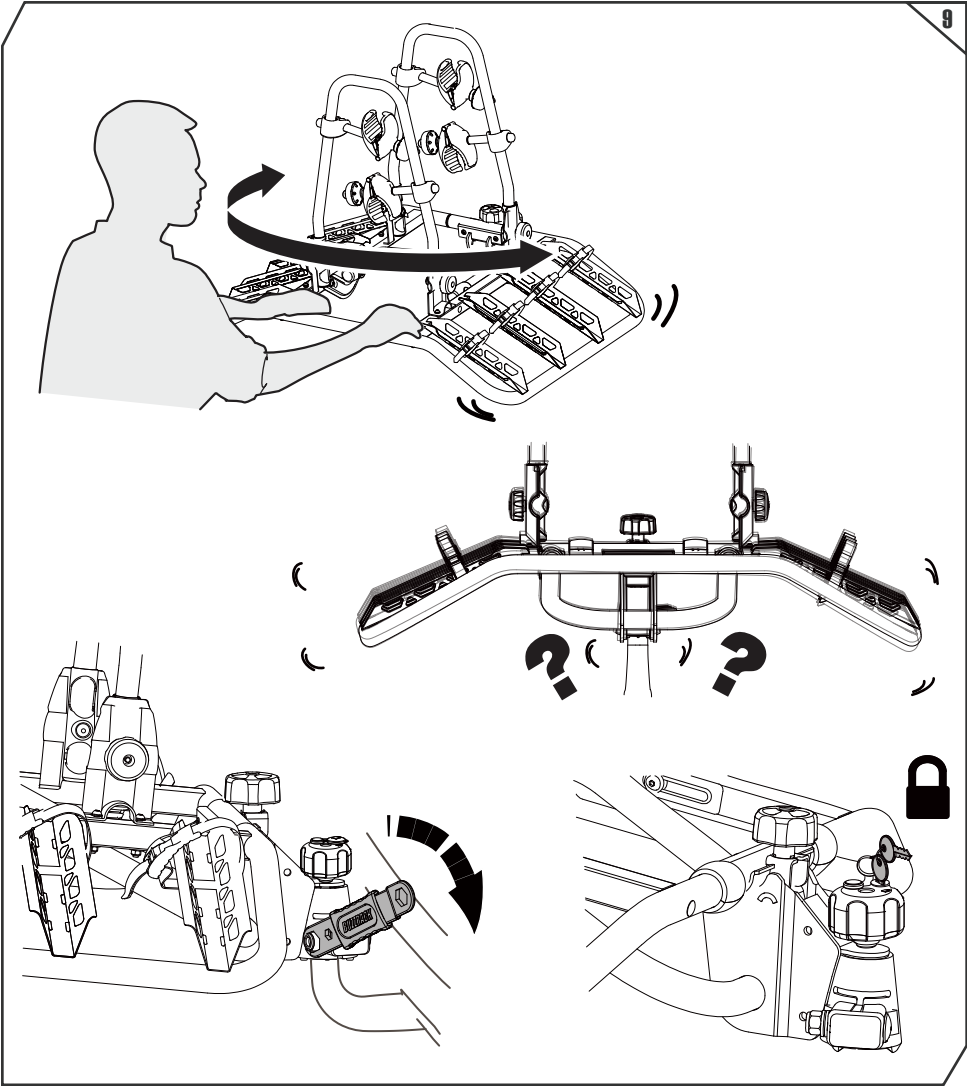


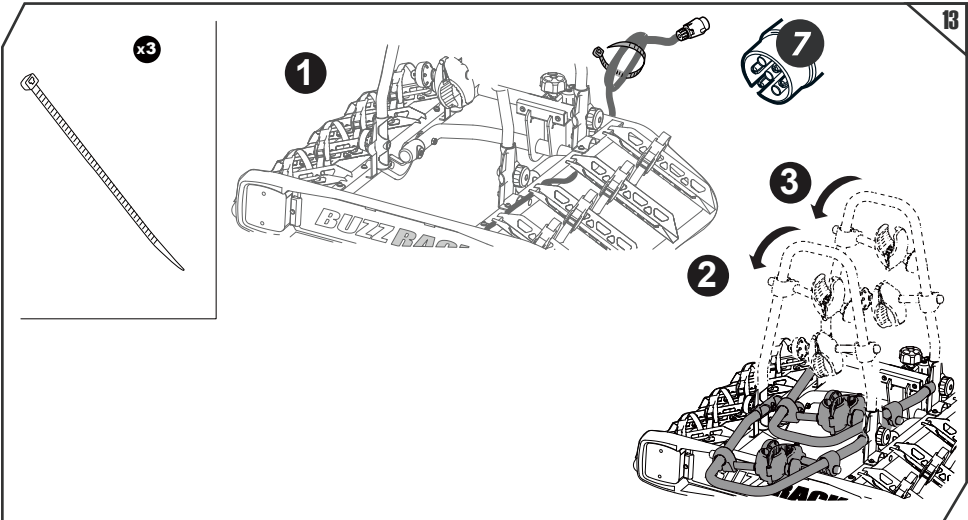
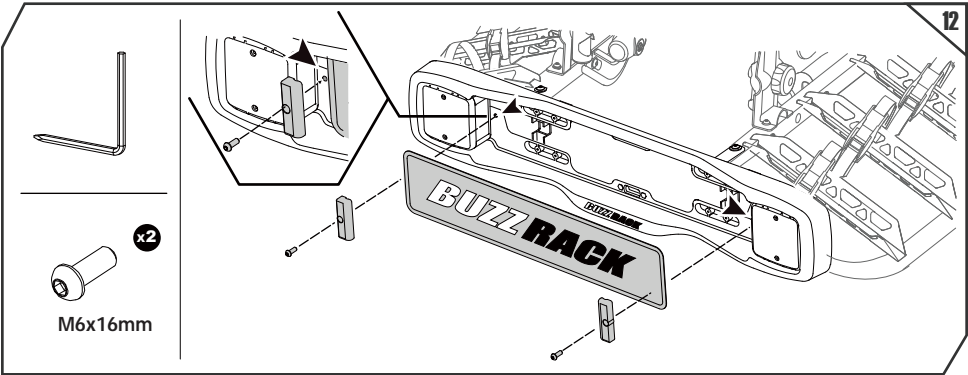
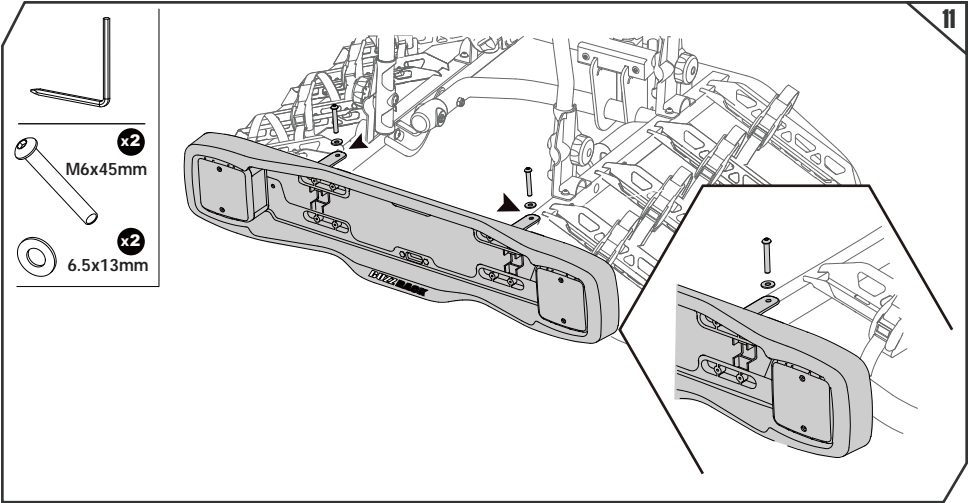
<p><b>Max</b></p> <p>S = xx kg</p>	<p><b>BUZZQUATTRO</b></p>	
<b>40 KG</b>	<b>19.7KG</b>	<b>20 KG</b>
<b>50 KG</b>		<b>30 KG</b>
<b>70 KG</b>		<b>50 KG</b>
<b>90 KG</b>		<b>MAX 60 KG</b>





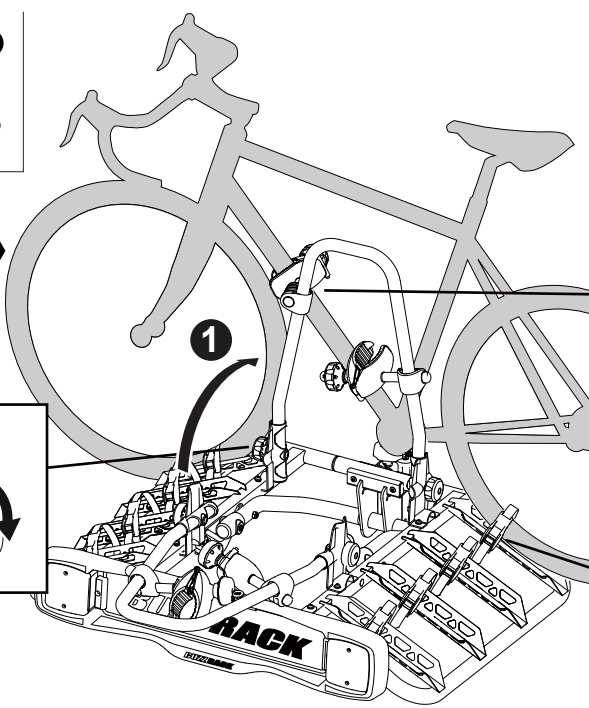
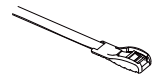






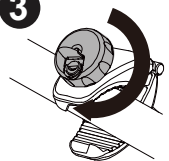


x2

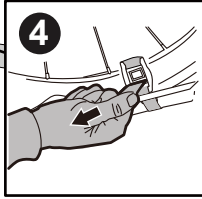


1

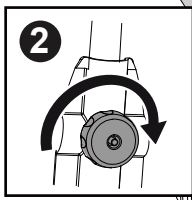
3



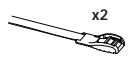
4



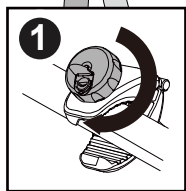
2



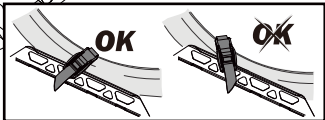
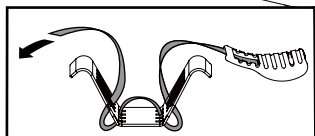
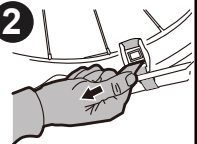
x2



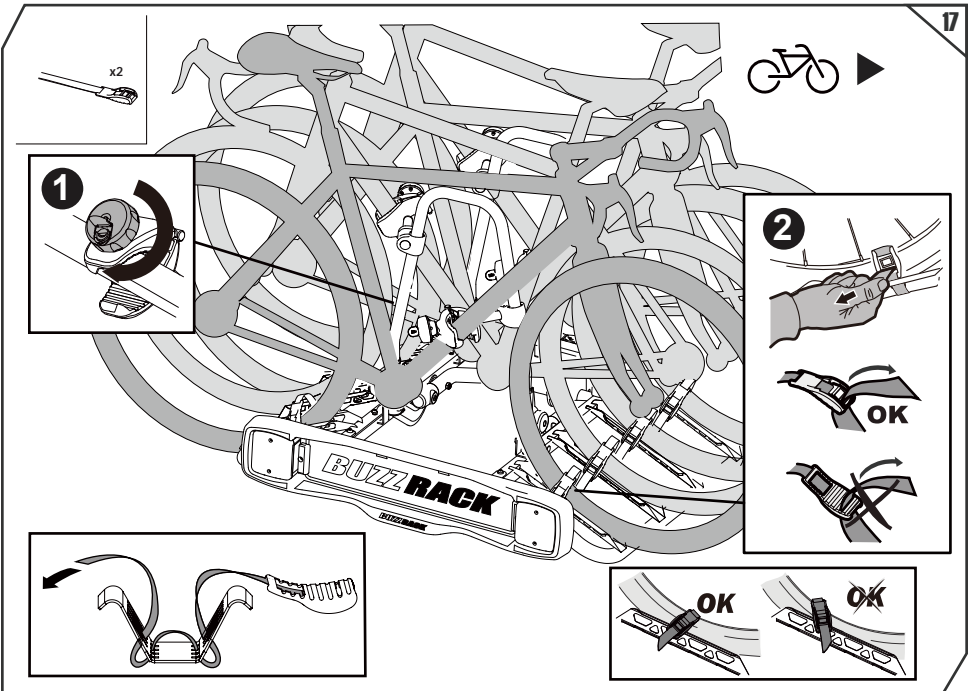
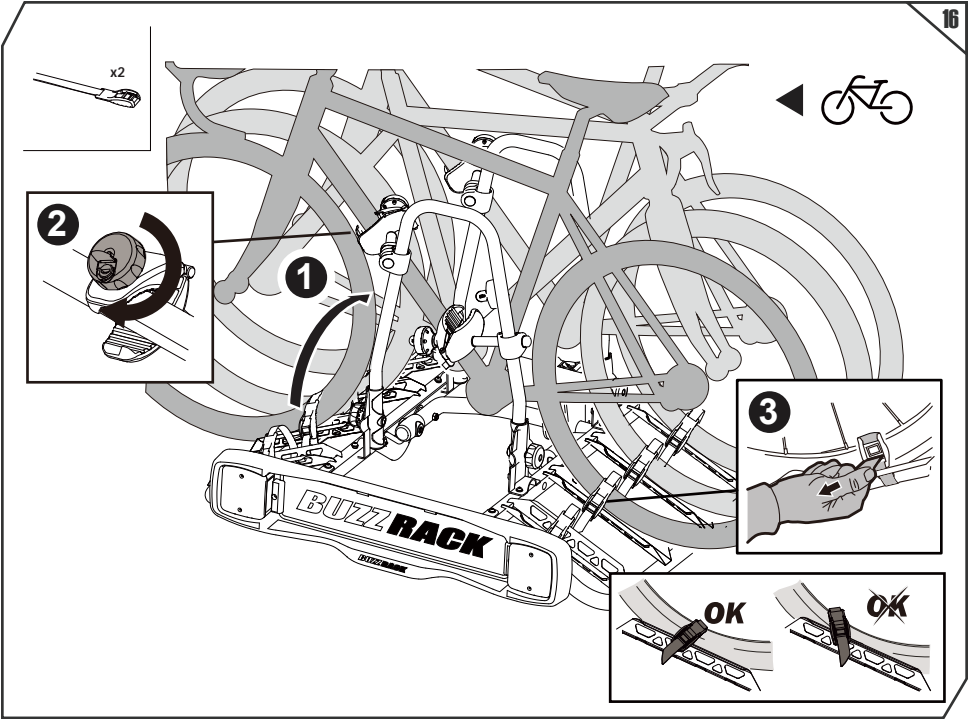
1

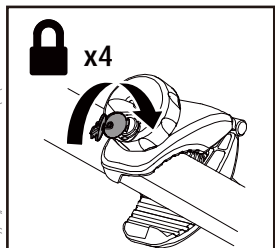
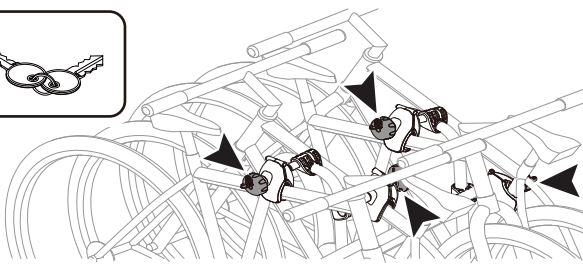
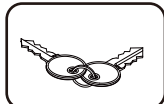


2

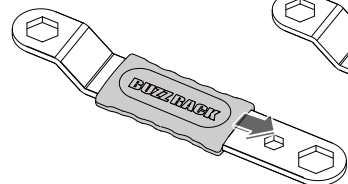




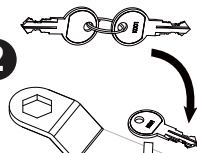




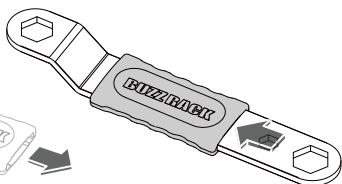
1



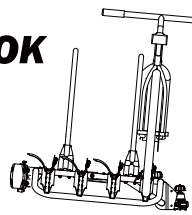
2



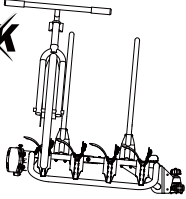
3



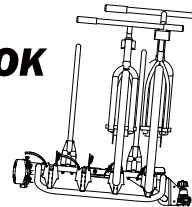
OK



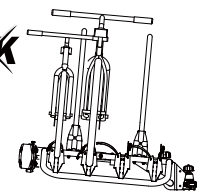
~~OK~~



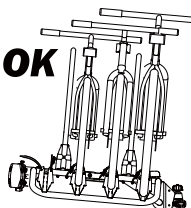
OK



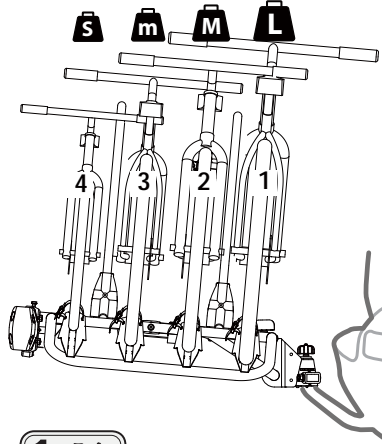
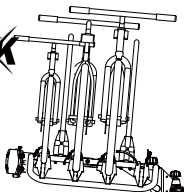
~~OK~~



OK



~~OK~~



**1** = 1x 15kg MAX

**2** = 2x 15kg MAX

**3** = 3x 15kg MAX

**4** = 4x 15kg MAX

