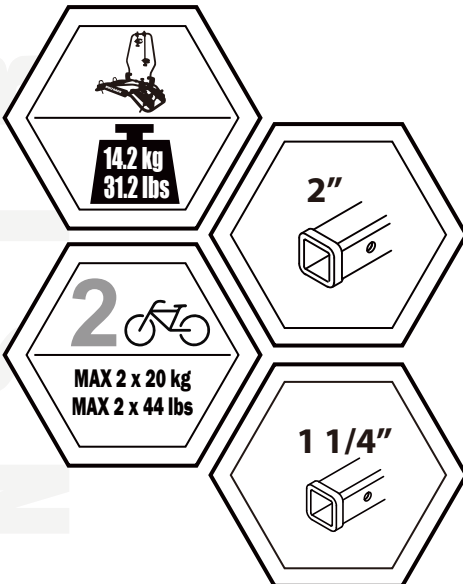
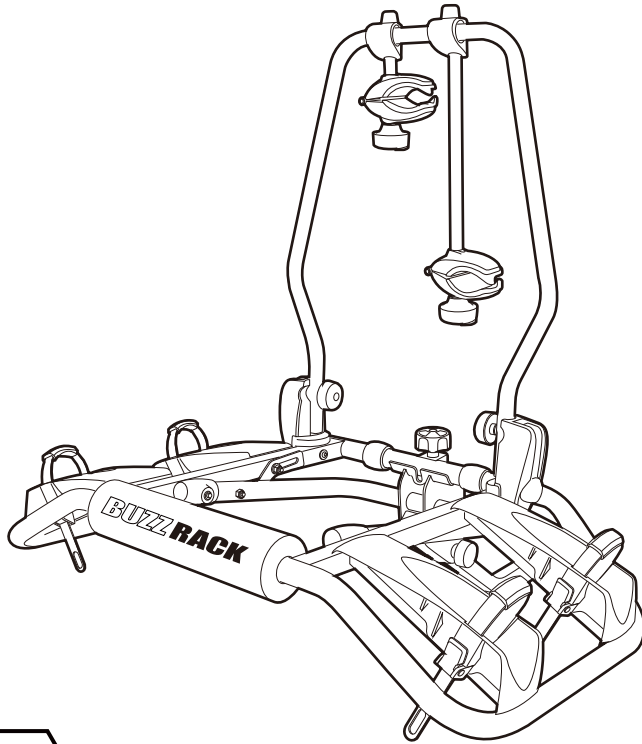


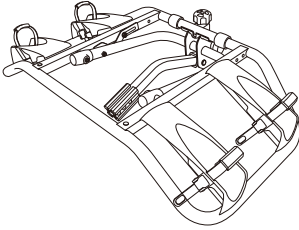
BUZZRACK



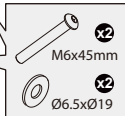
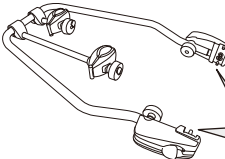
BUZZRUNNER H2 ENTOURAGE 2 (North America)

PART LIST

x1



x1



M6x45mm

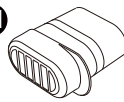
Ø6.5xØ19

x1



1/2"-13x4"

x1



x1



x1

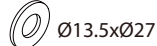


1/2"

x1



x1



Ø13.5xØ27

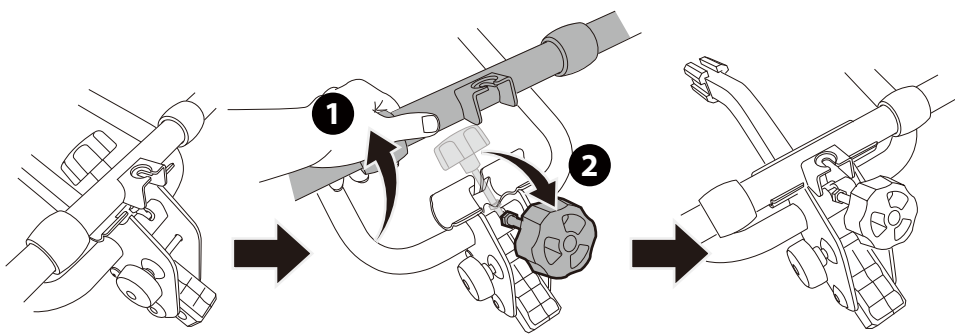
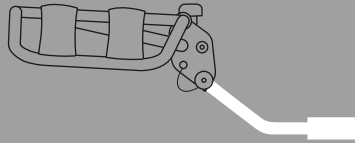
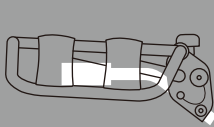
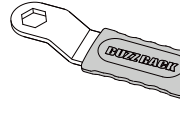
x1



x1

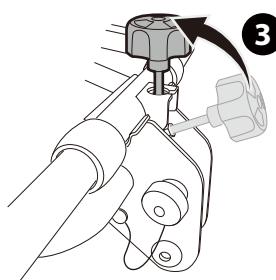


x1

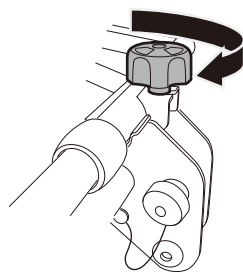


1

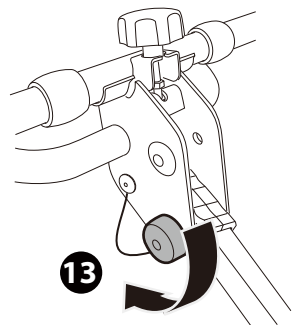
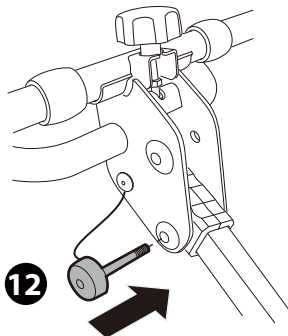
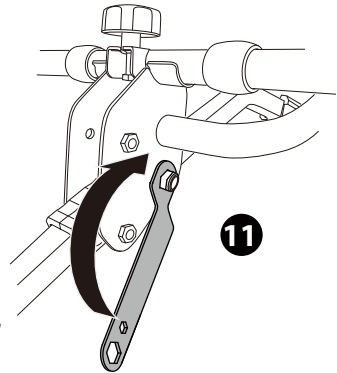
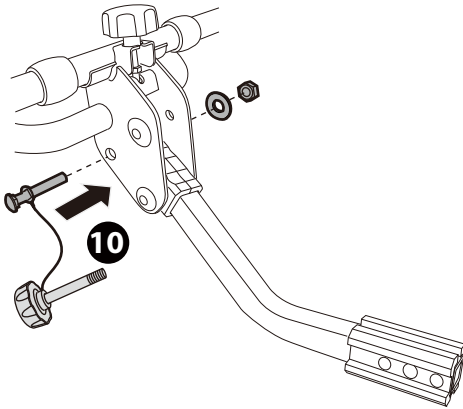
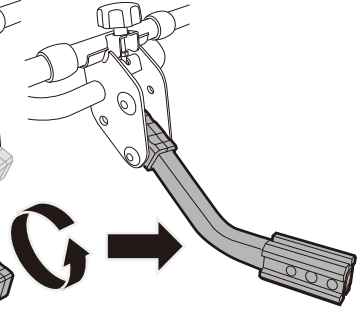
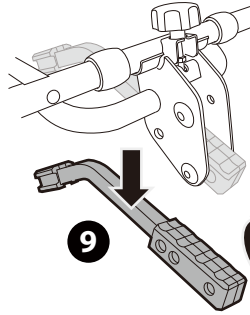
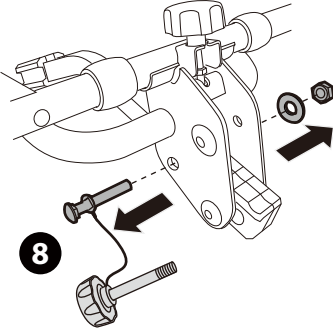
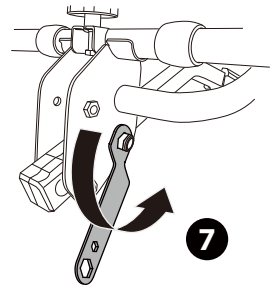
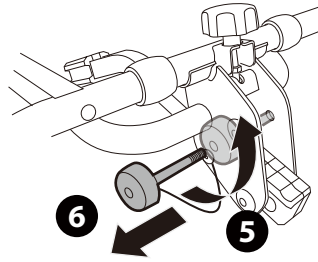
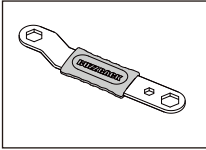
2

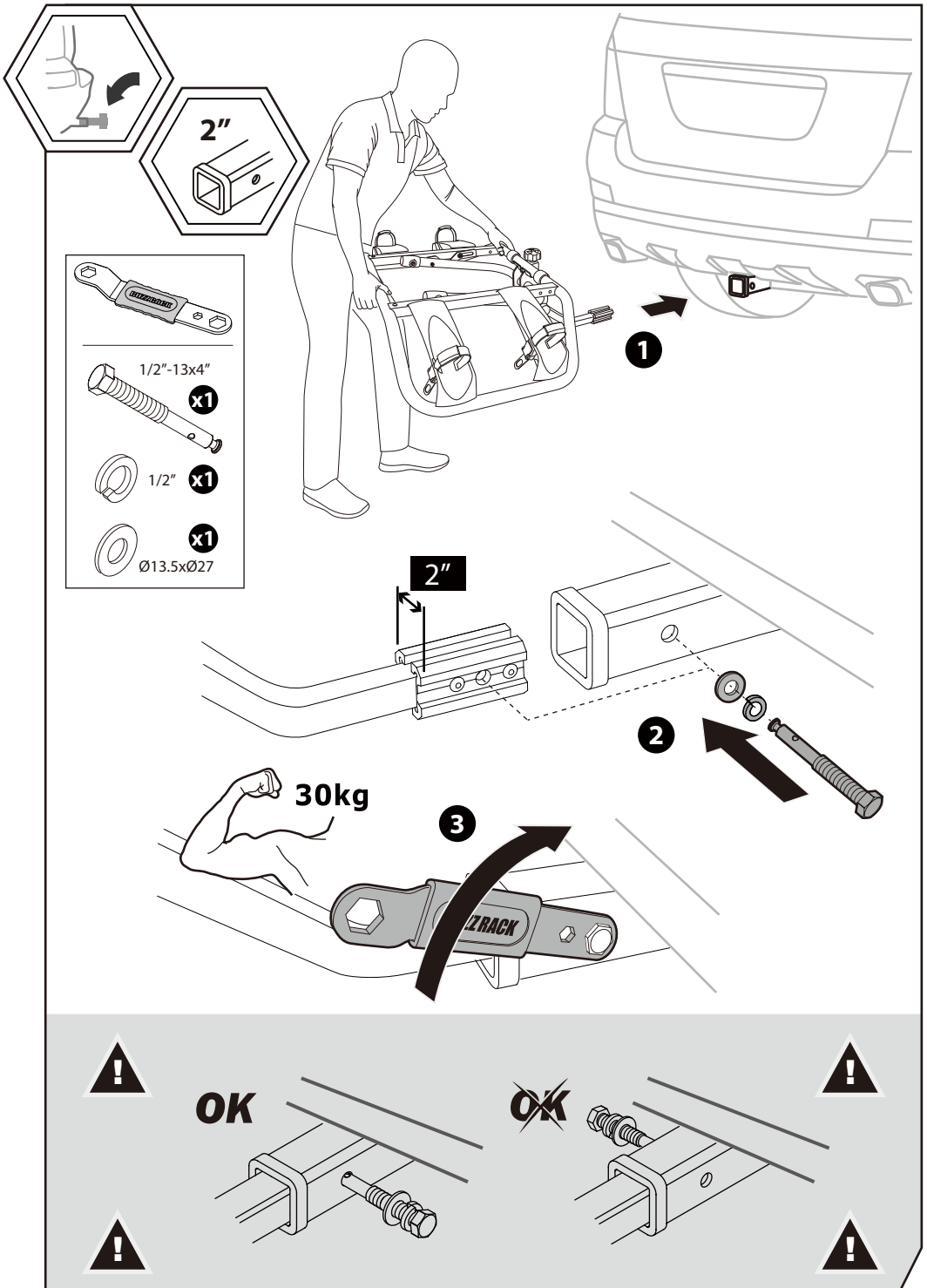


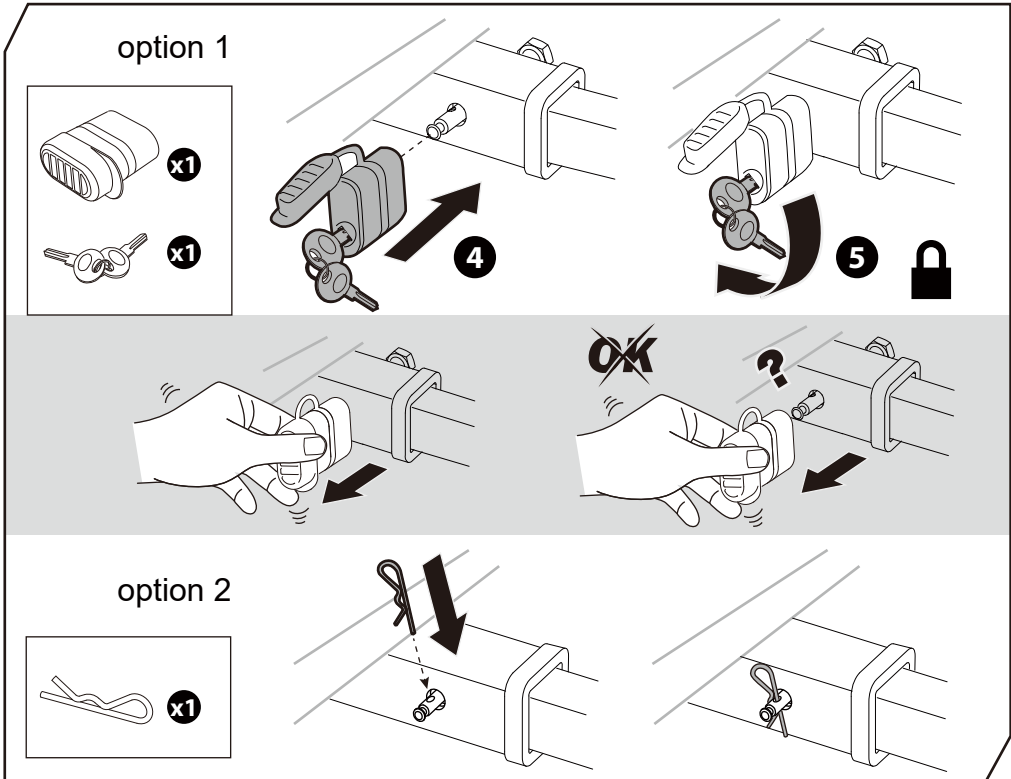
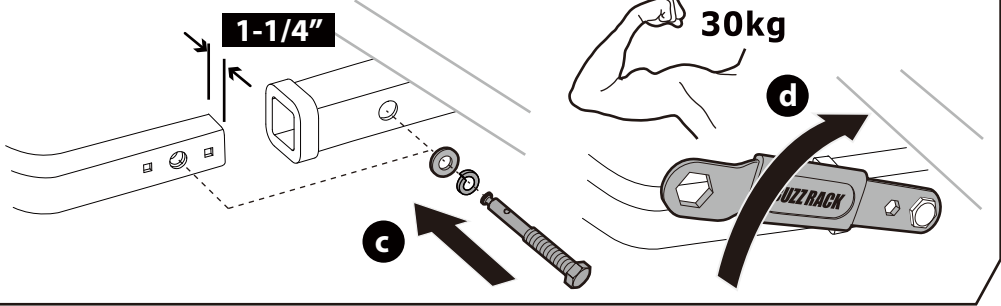
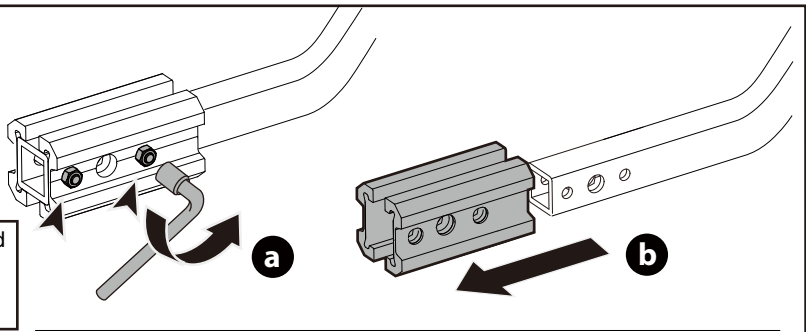
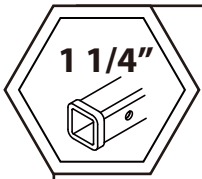
3

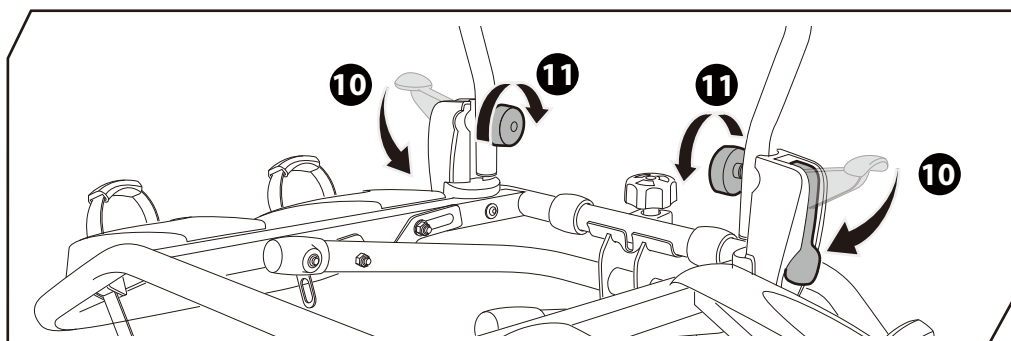
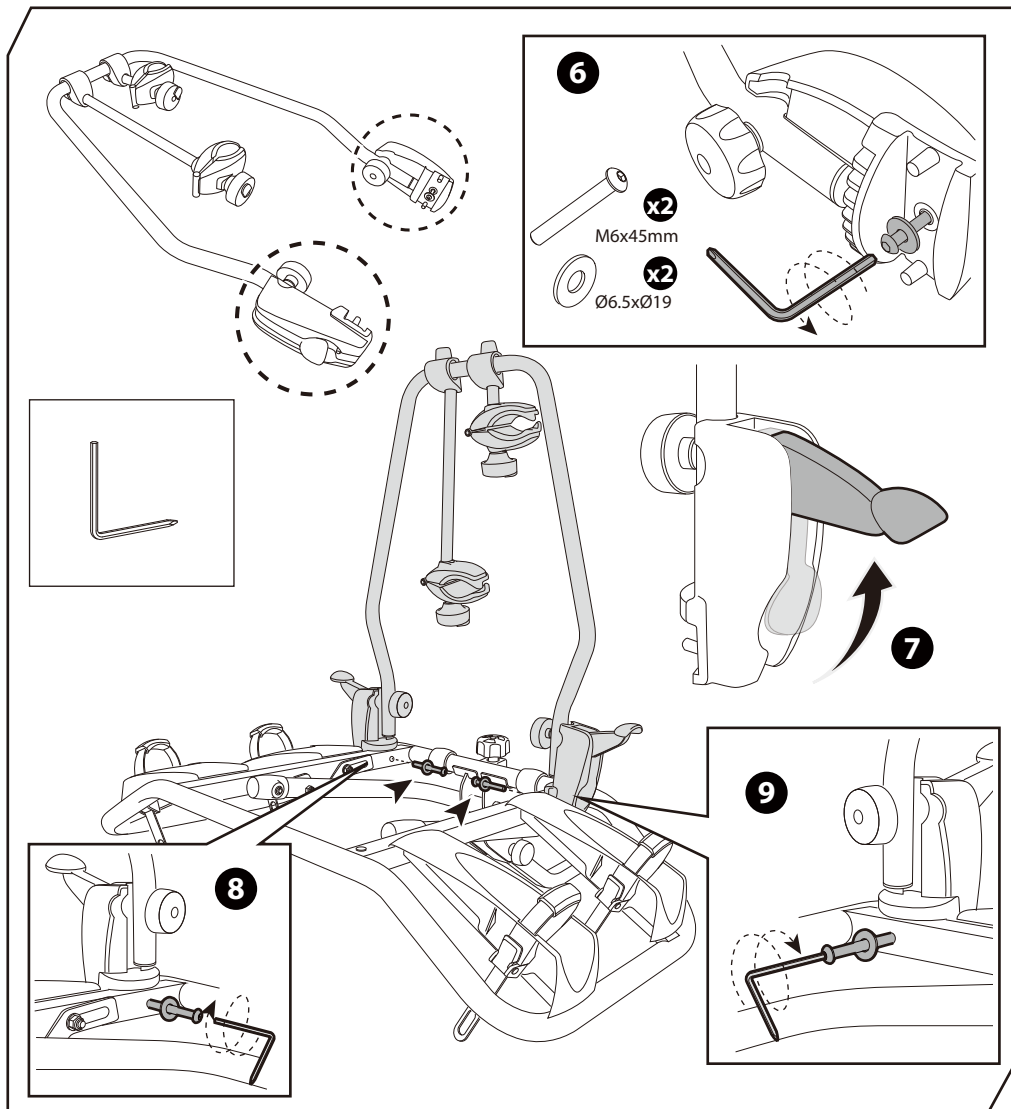


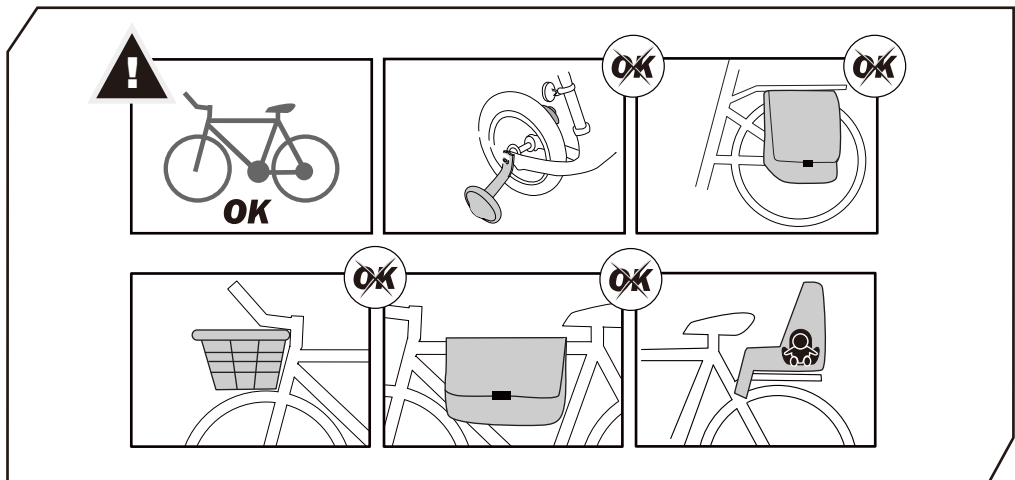
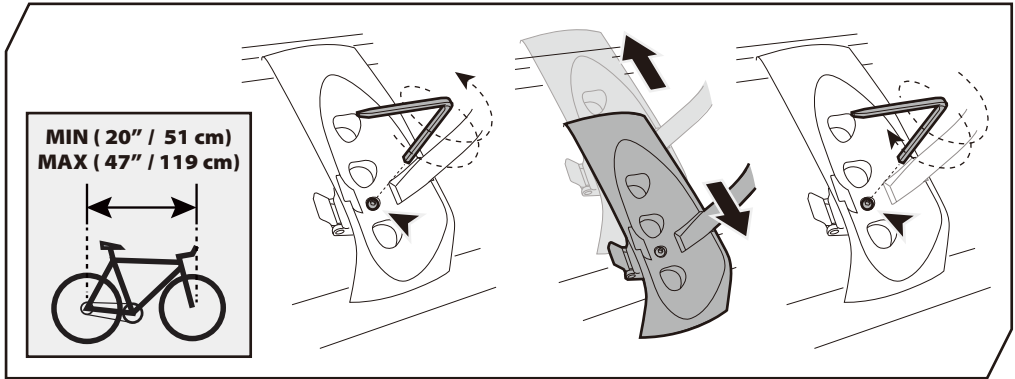
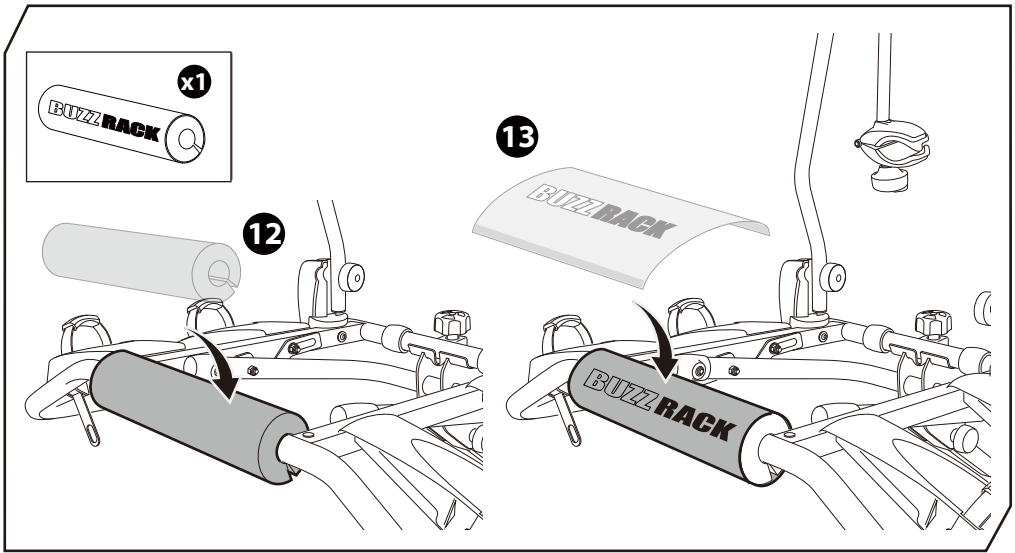
4







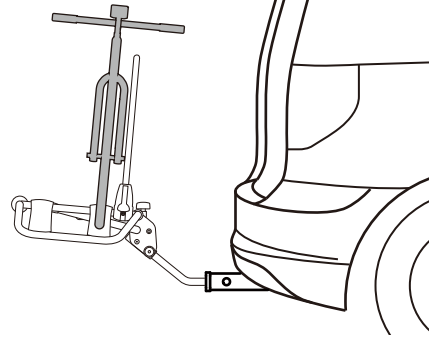
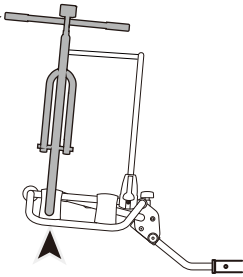





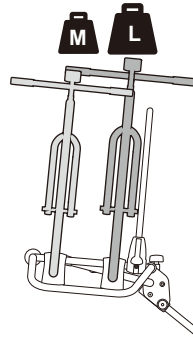


! **1**  **!**
1 x30 kg MAX
1 x66 lbs MAX

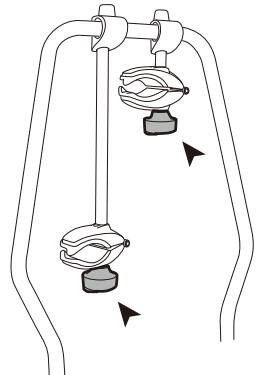
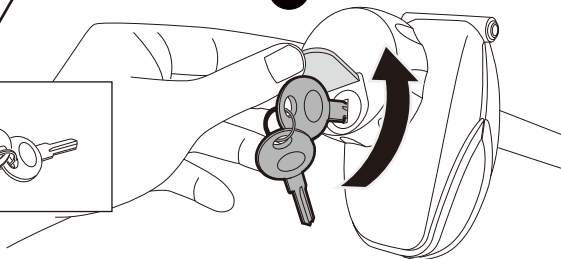
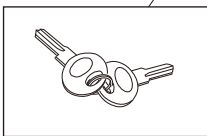
OK

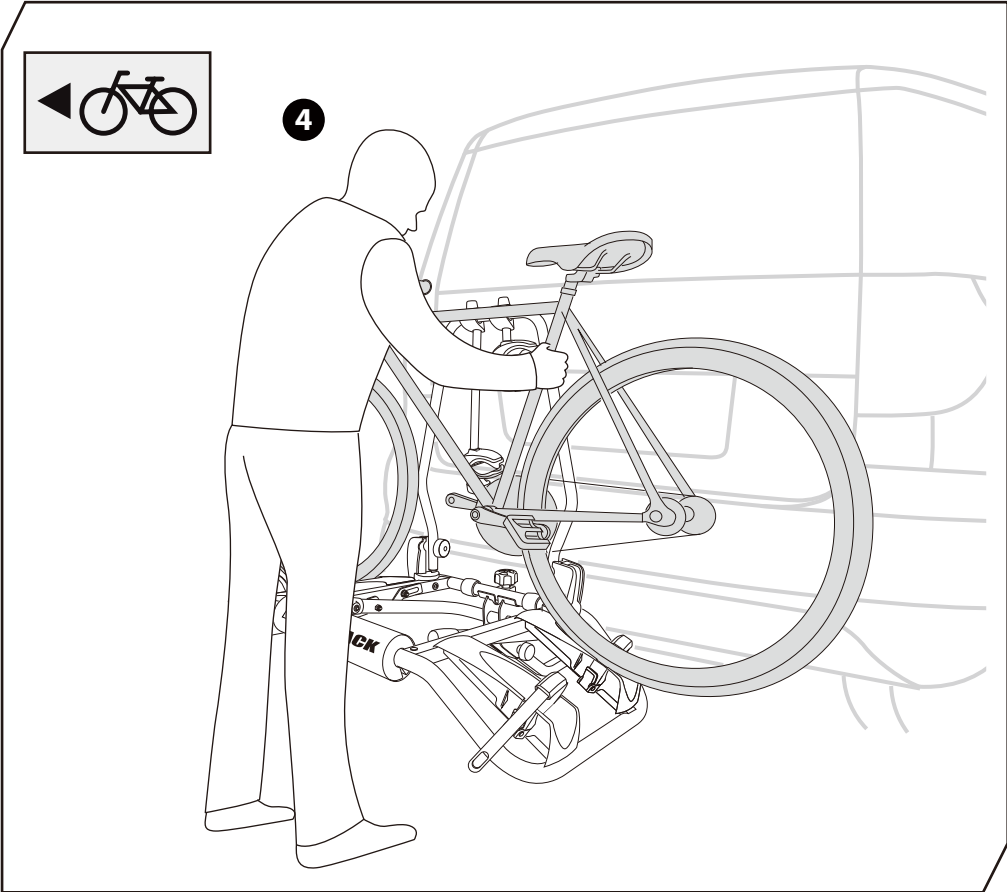
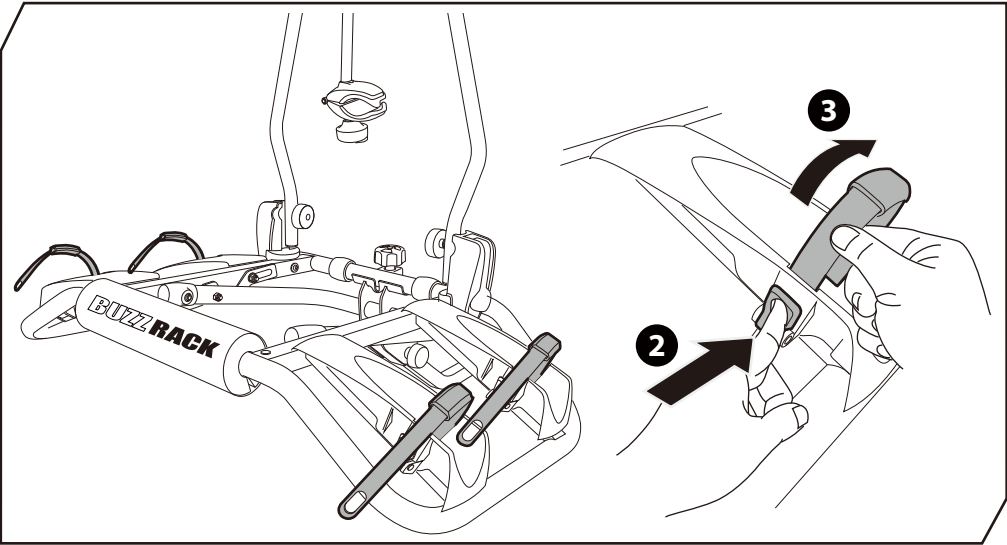


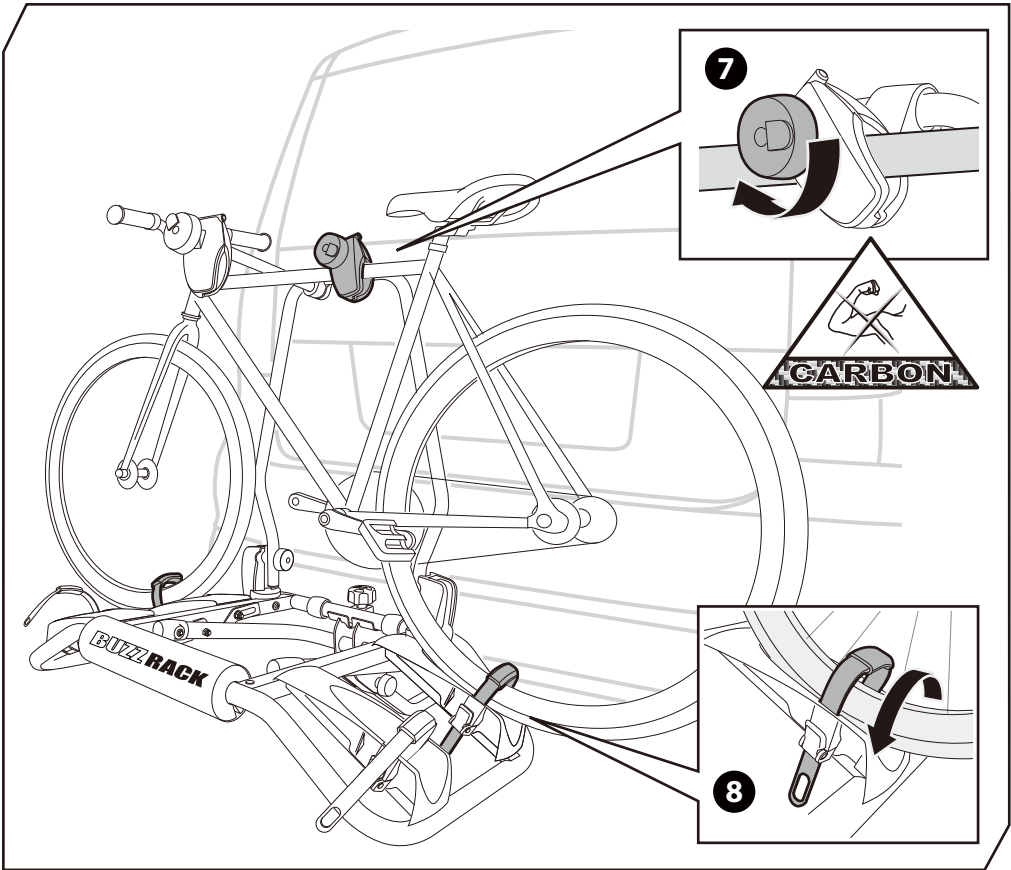
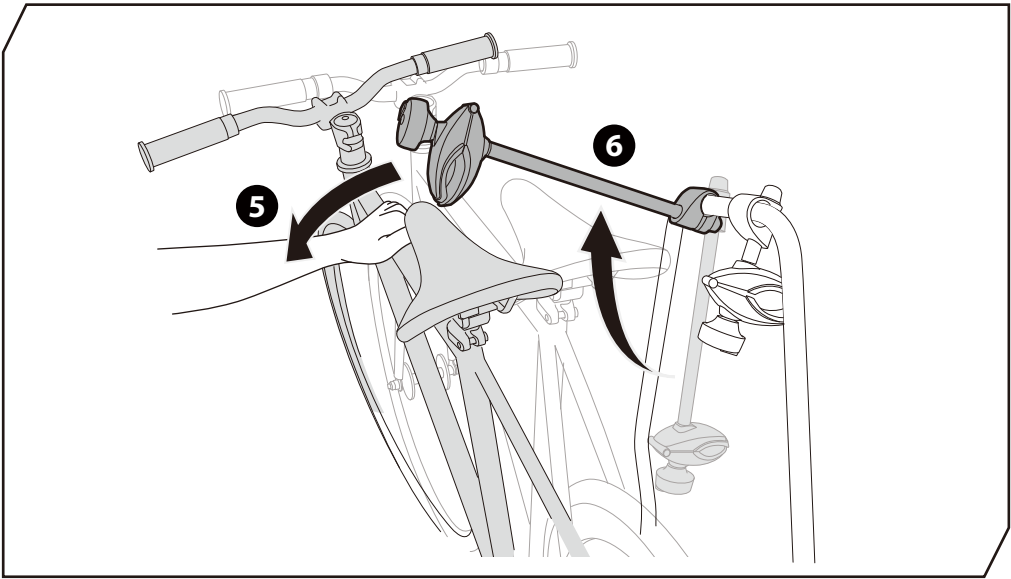
! **2**  **!**
2 x20 kg MAX
2 x44 lbs MAX

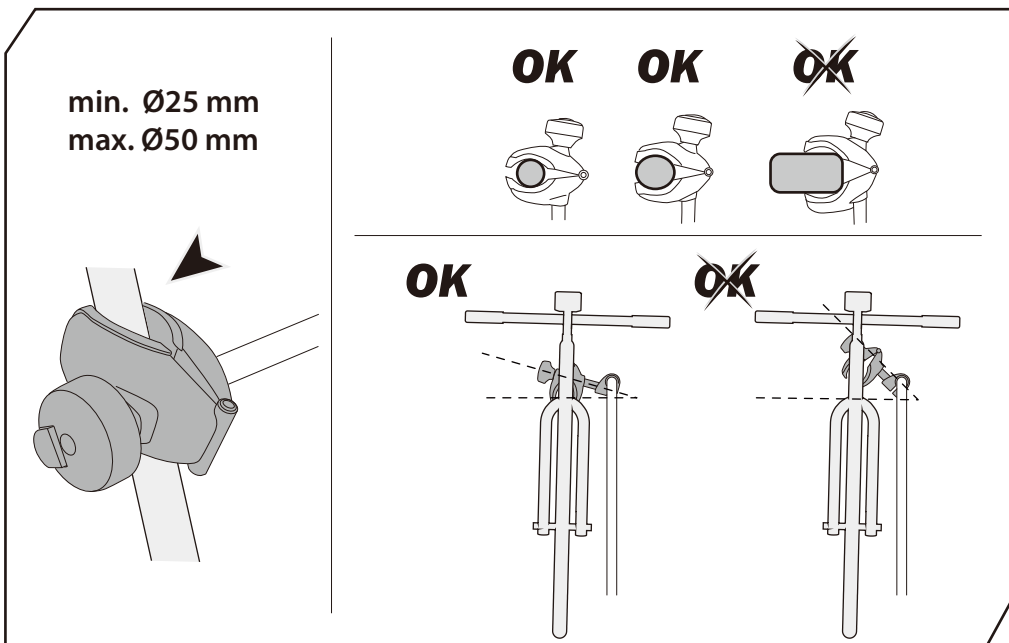
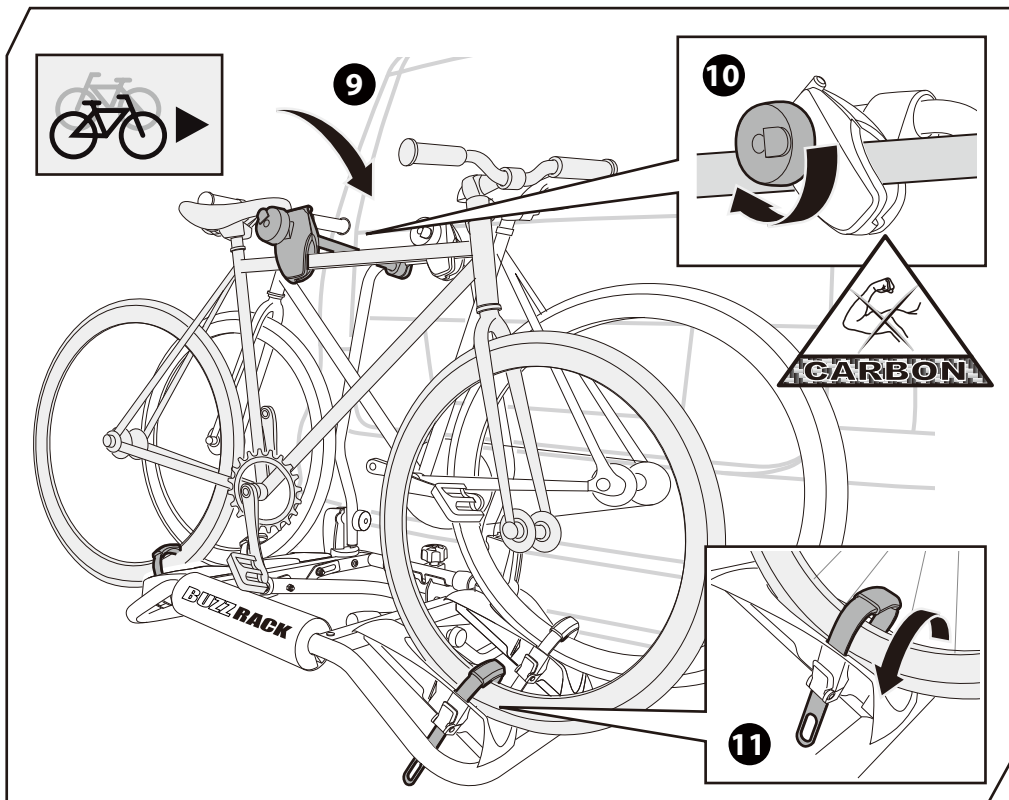


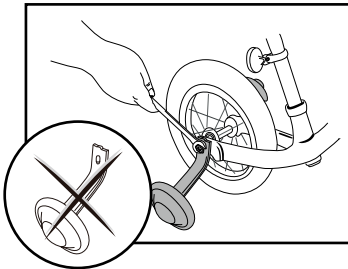
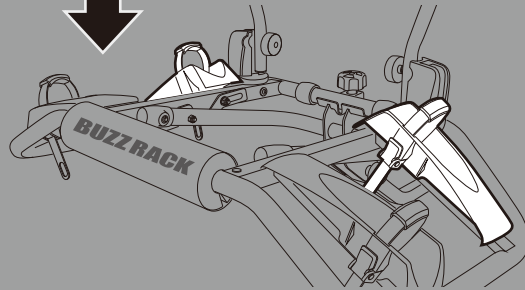
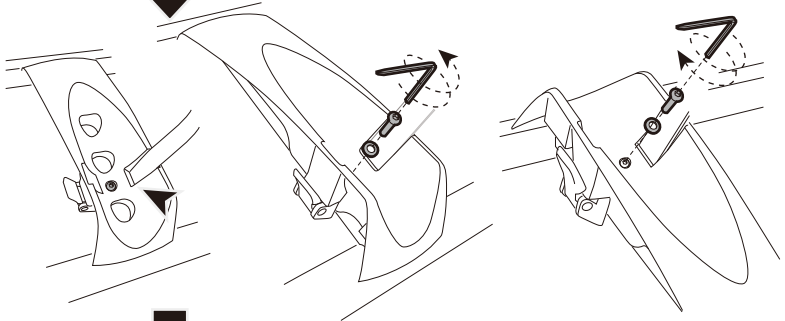
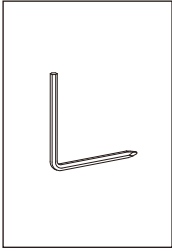
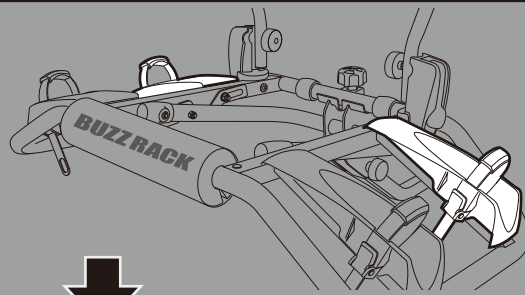
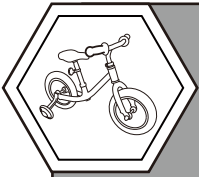
1



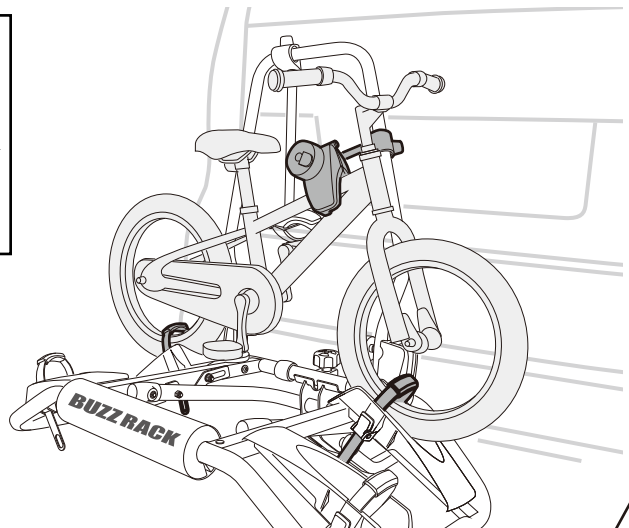
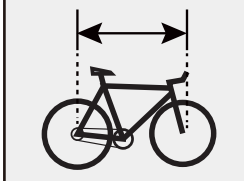


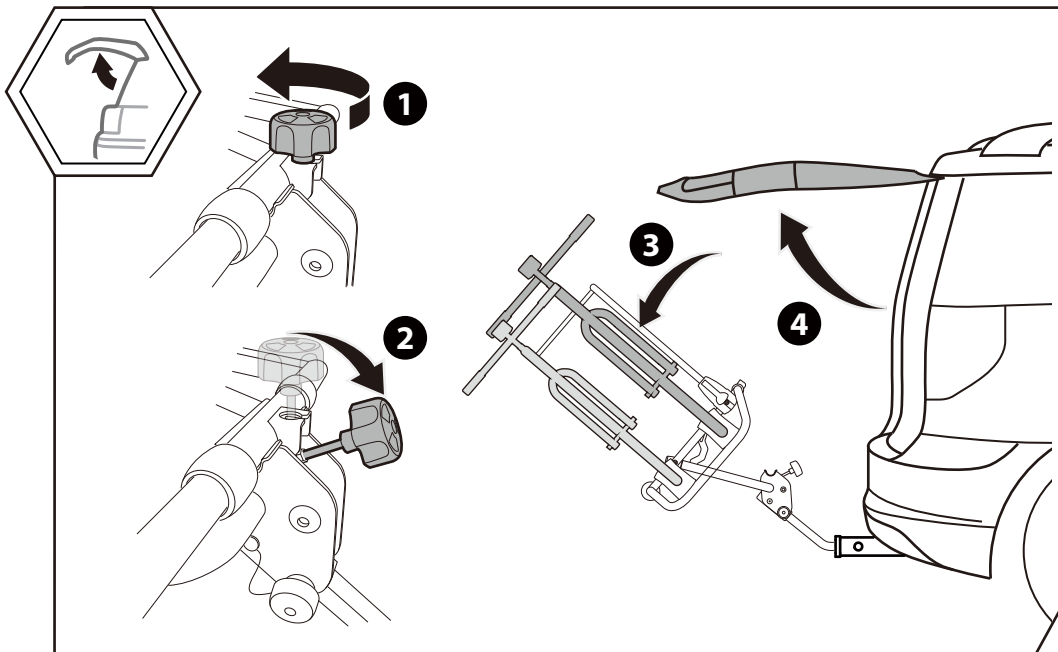
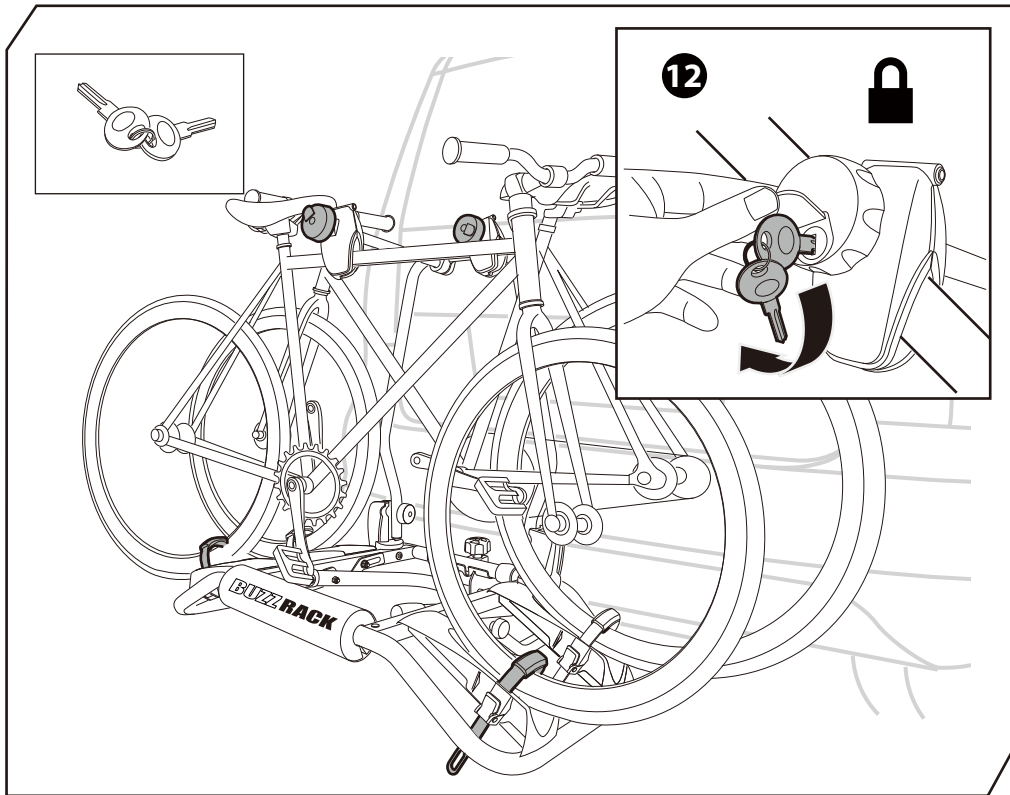


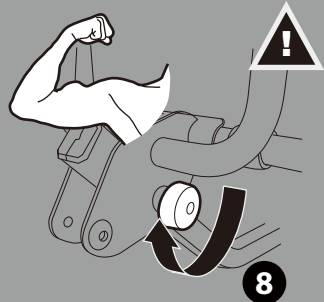
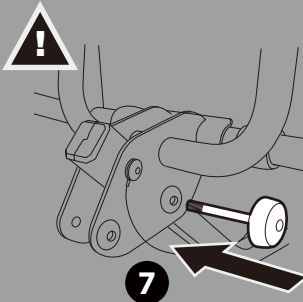
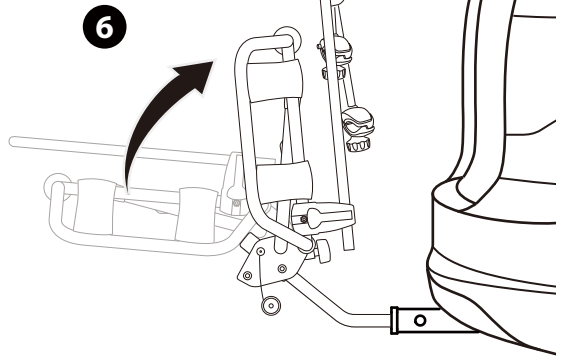
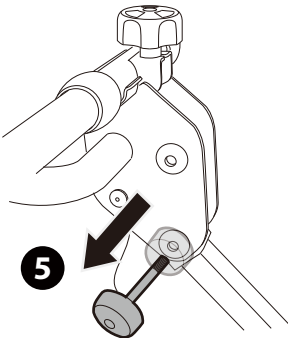
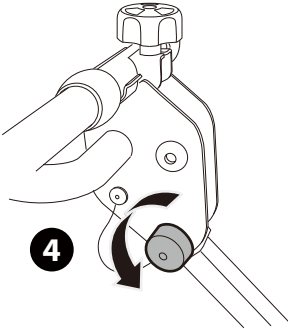
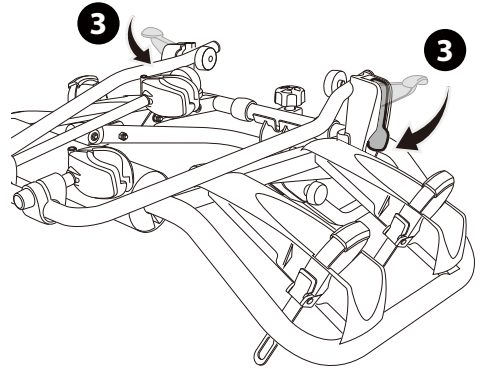
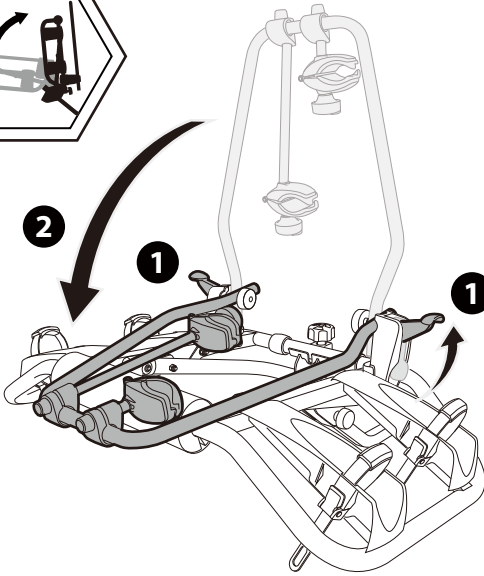
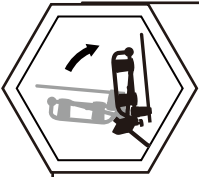


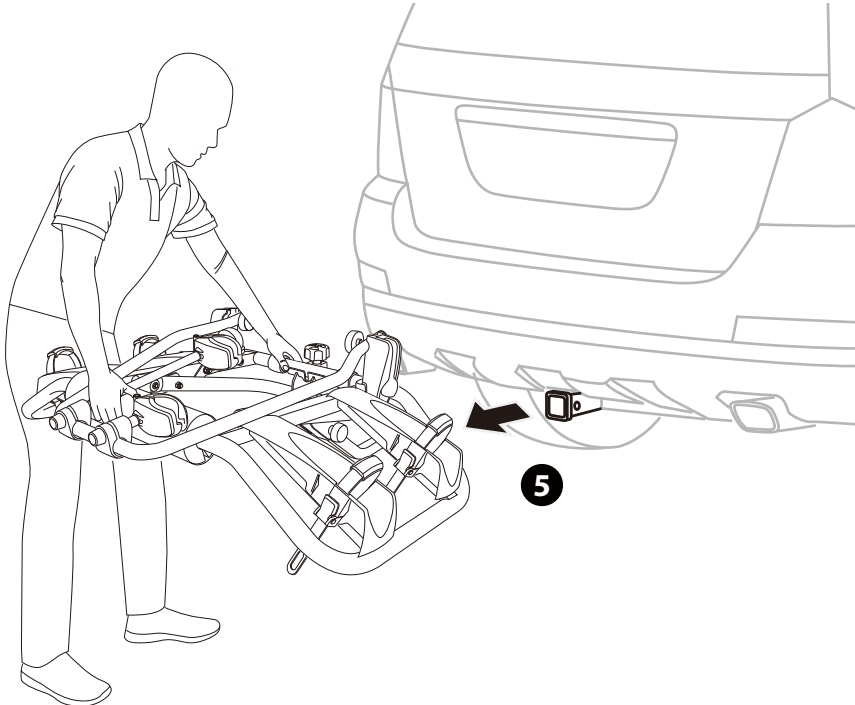
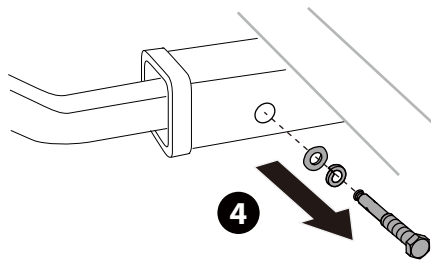
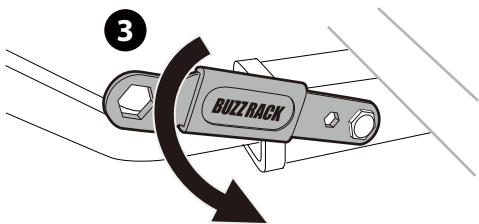
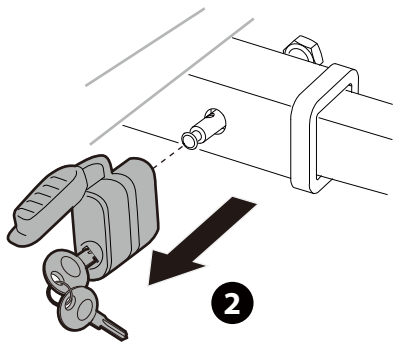
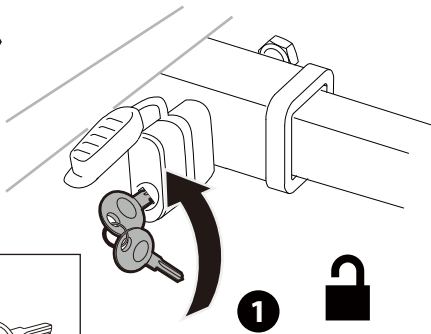
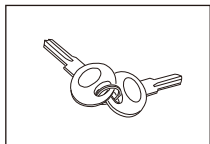
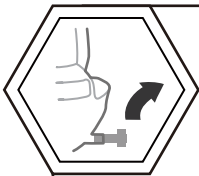


MIN (20" / 51 cm)











+

+

+

+

+

+

BUZZ RACK

www.buzzrack.com