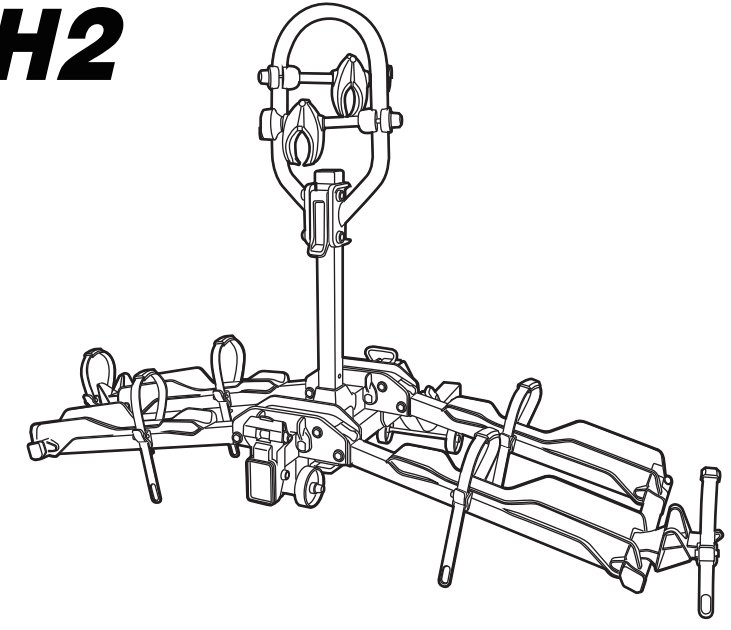


BUZZ RACK

E-SCORPION H2



2" / Min 1.5" / E-BIKE / 19.5 kg / 42.9lbs / 2 / MAX 2x30kg / MAX 2x66lbs

Made in Taiwan

OK

MAX 60KG (132lbs)

E-Bike

2 x 30kg = MAX 60 kg (66lbs) (132lbs)

Max 4"

Wheel base

10" Tire diameter		26" Tire diameter		29" Tire diameter	
MIN	MAX	MIN	MAX	MIN	MAX
81cm(32")	116cm(46")	78cm(31")	127cm(50")	84cm(33")	129cm(51")

ACCESSORIES (NOT INCLUDED)

E-RAMP Alu
47-0116-002-10

E-RAMP steel
47-0116-003-10

LICENCE PLATE HOLDER
47-0100-039-10

STEP 1.

STEP 2.

STEP 3.

STEP 4.

STEP 5.

Tool

1

option 1 option 2

2

x2

x4

x2

CARBON

MIN Ø25 mm
MAX Ø50 mm

3

x1

4

5

click

6

BUZZRACK
www.buzzrack.com
Contact us at service@buzzrack.com if you have any questions.