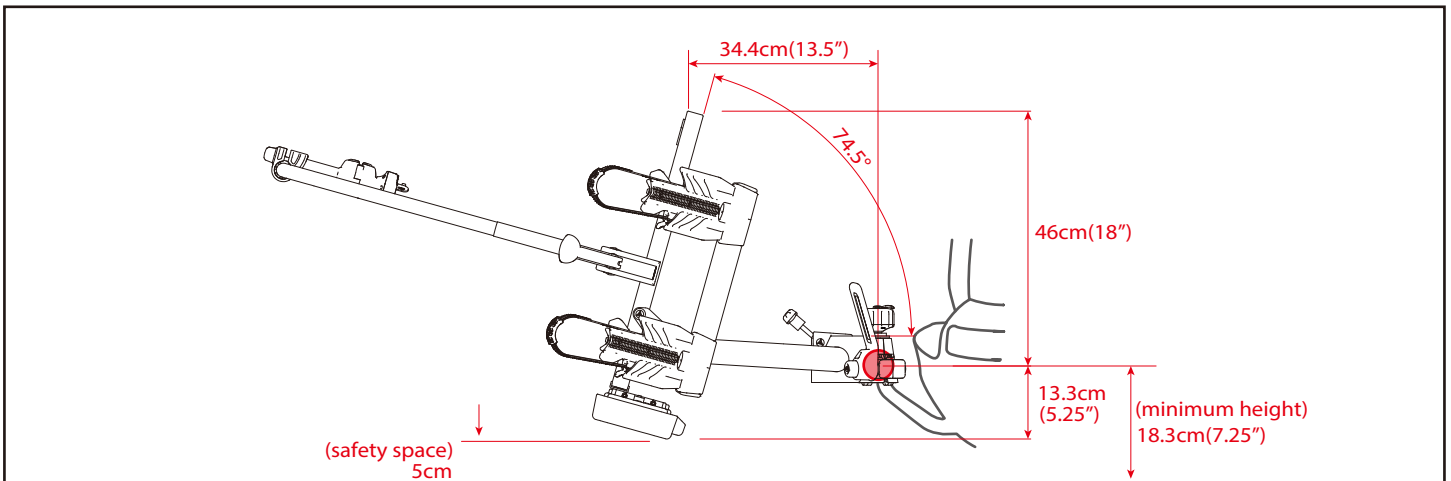
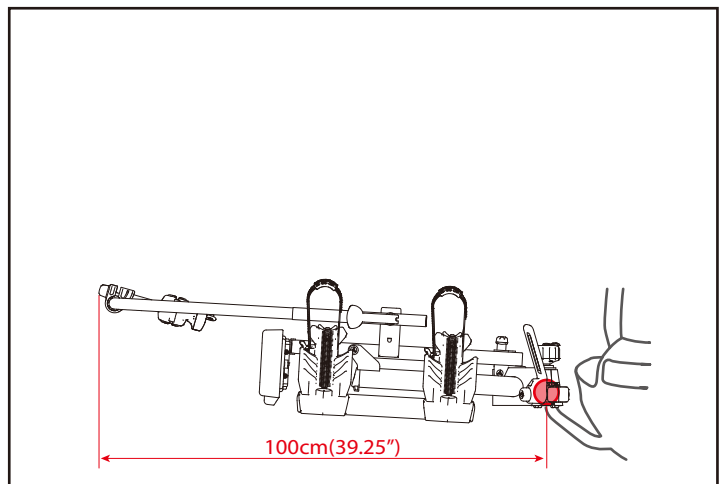
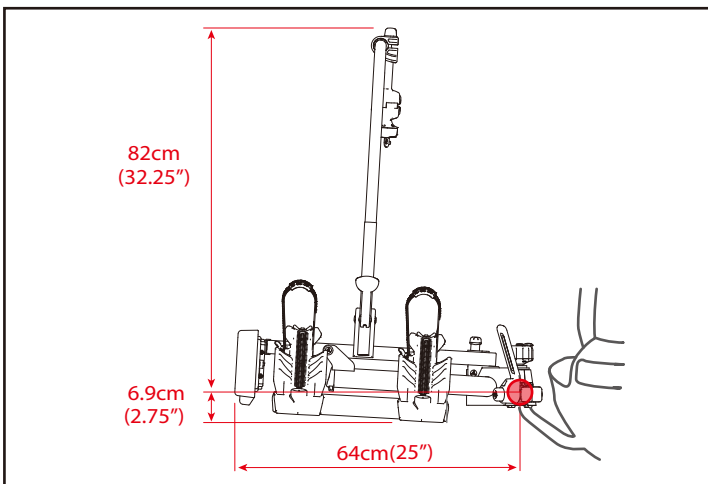
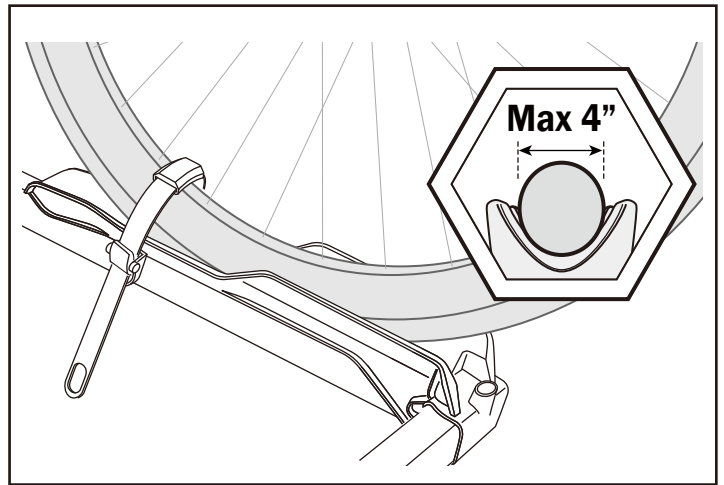
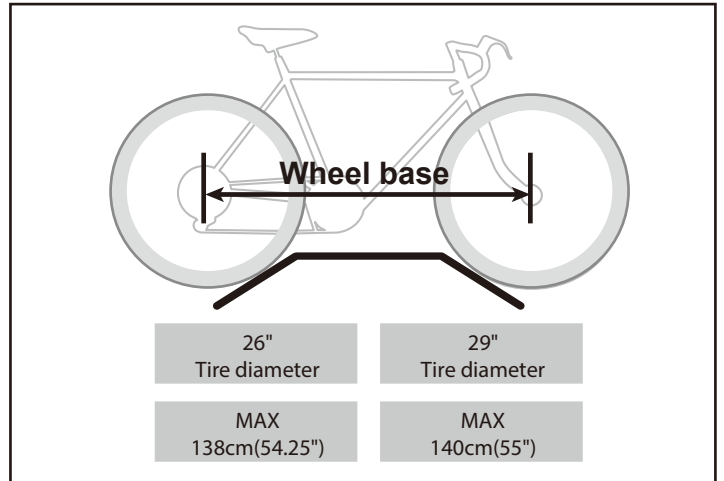
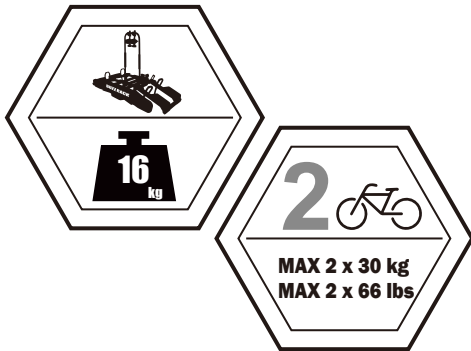
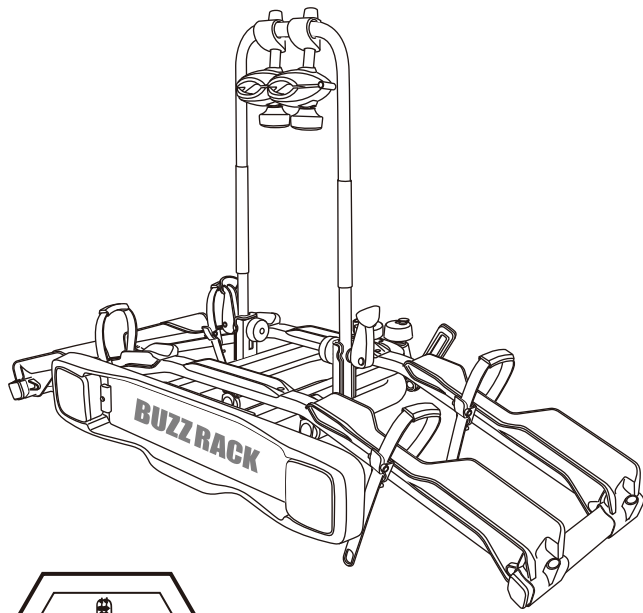
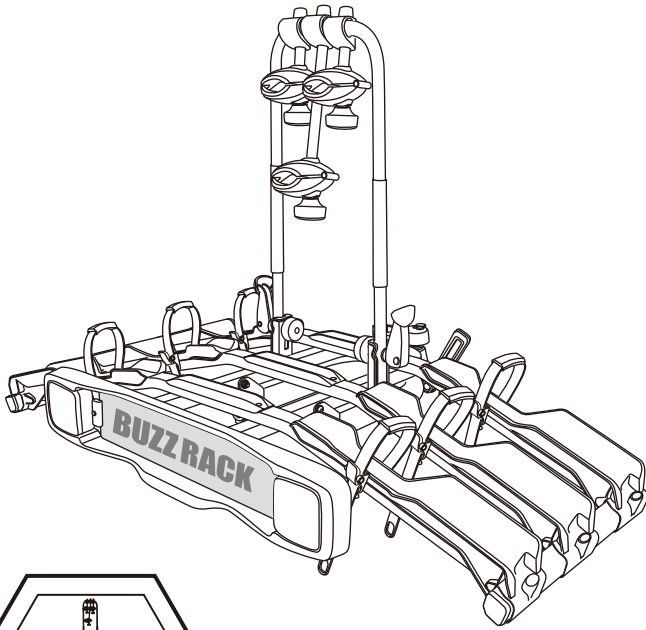


E-HORNET 2



E-HORNET 3



18.7
kg

3

MAX 60 kg
MAX 132 lbs

Wheel base

| | |
|----------------------|----------------------|
| 26" Tire diameter | 29" Tire diameter |
| MAX 138cm(54.25") | MAX 140cm(55") |

Max 4"

80.7cm (31.75")

8.2cm (3.25")

76.5cm (30")

97cm (38")

39cm (15.25")

76°

50cm (19.75")

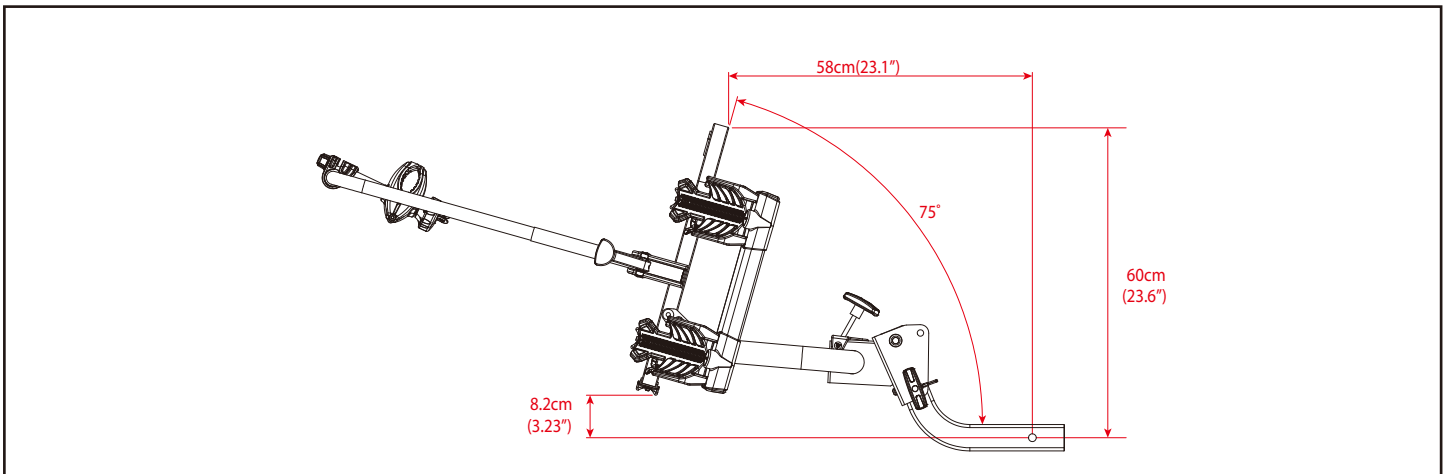
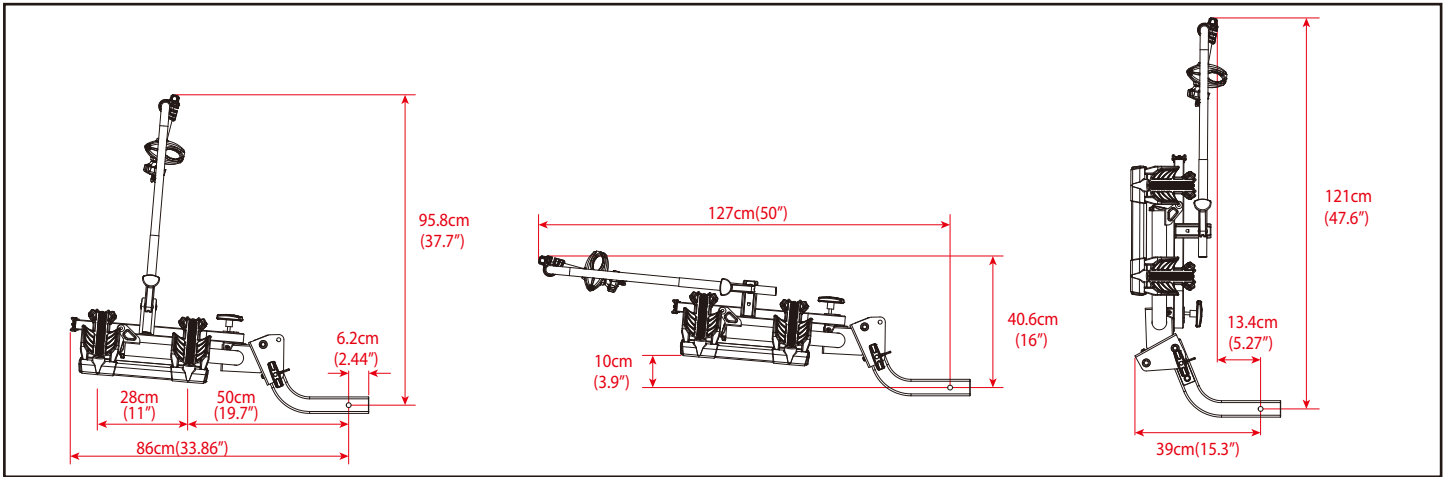
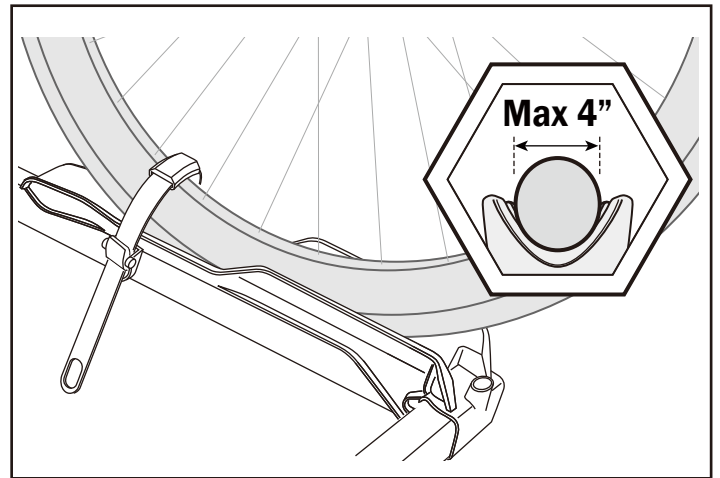
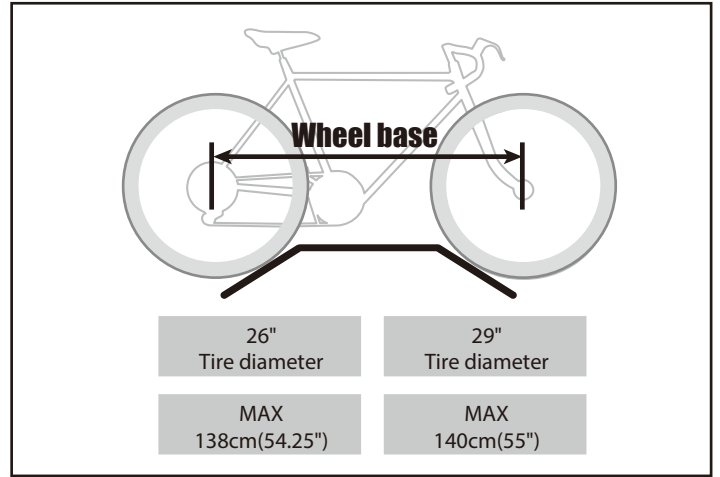
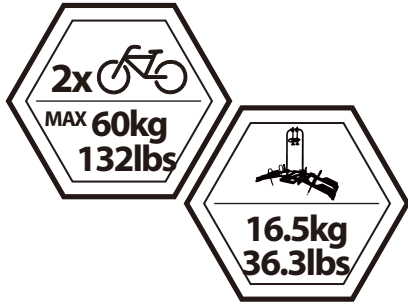
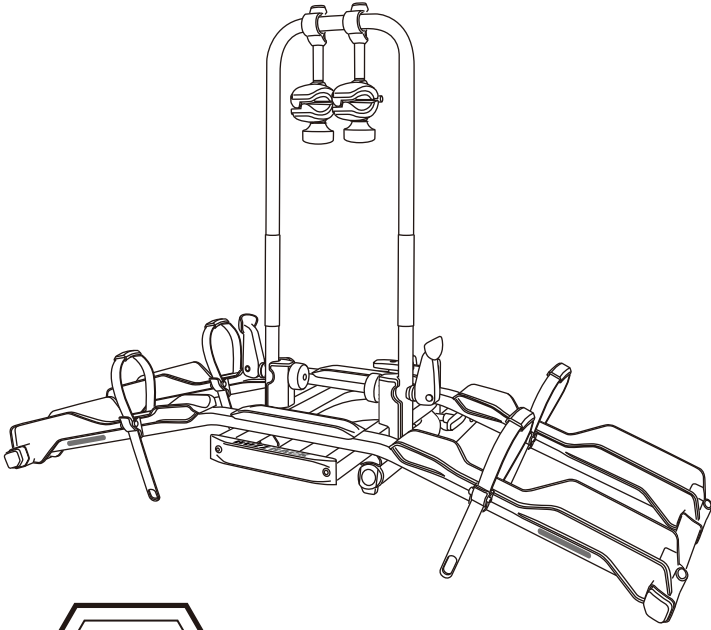
21cm (8.25")

(minimum height) 26cm (10.25")

(safety space) 5cm

TECHNICAL INFORMATION

E-HORNET H2



TECHNICAL INFORMATION

E-HORNET H3

