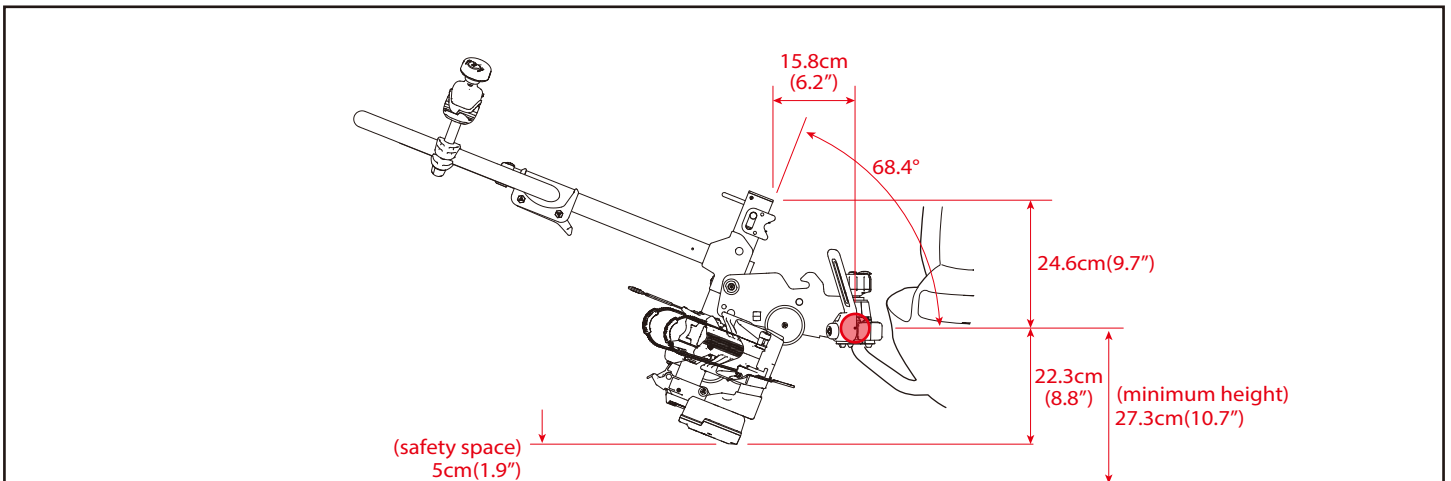
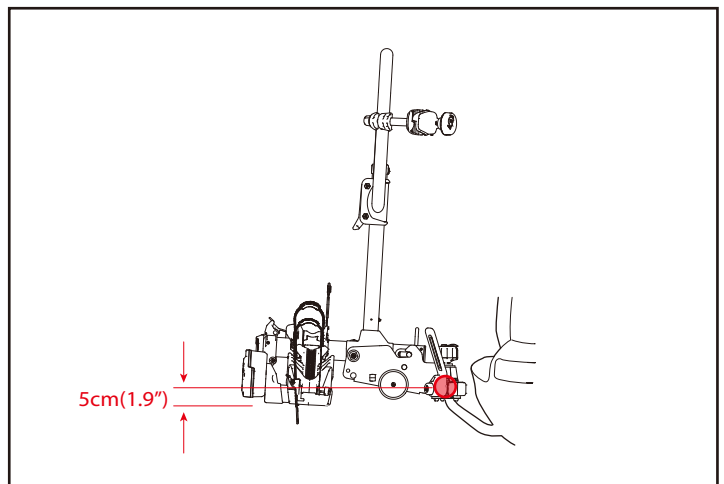
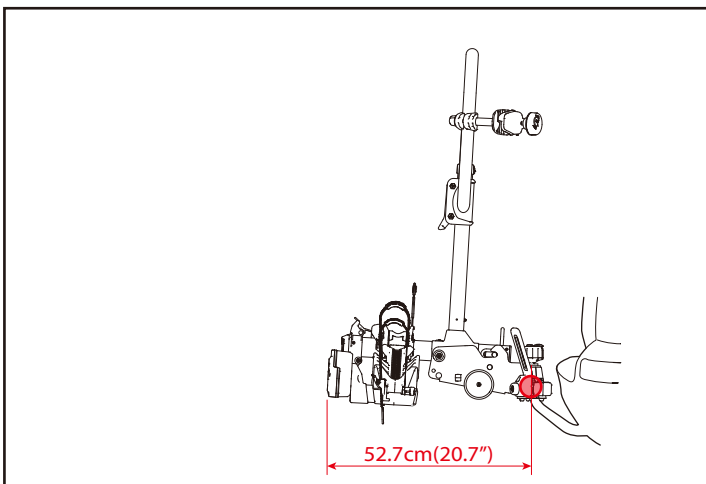
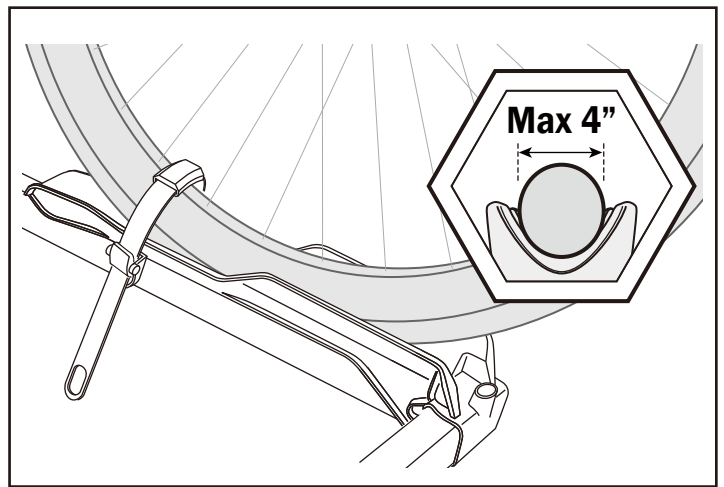
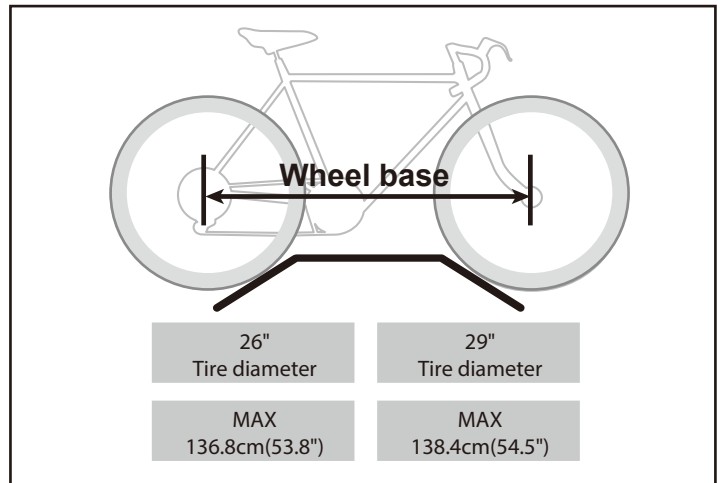
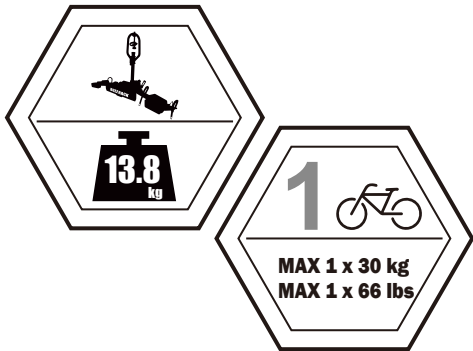
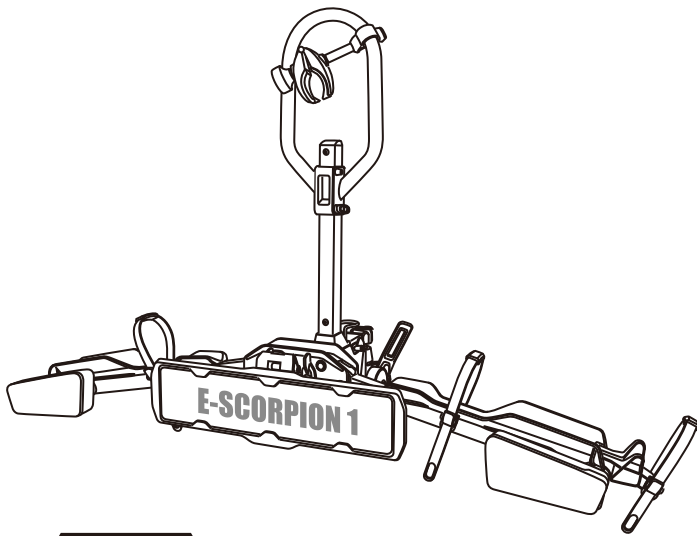
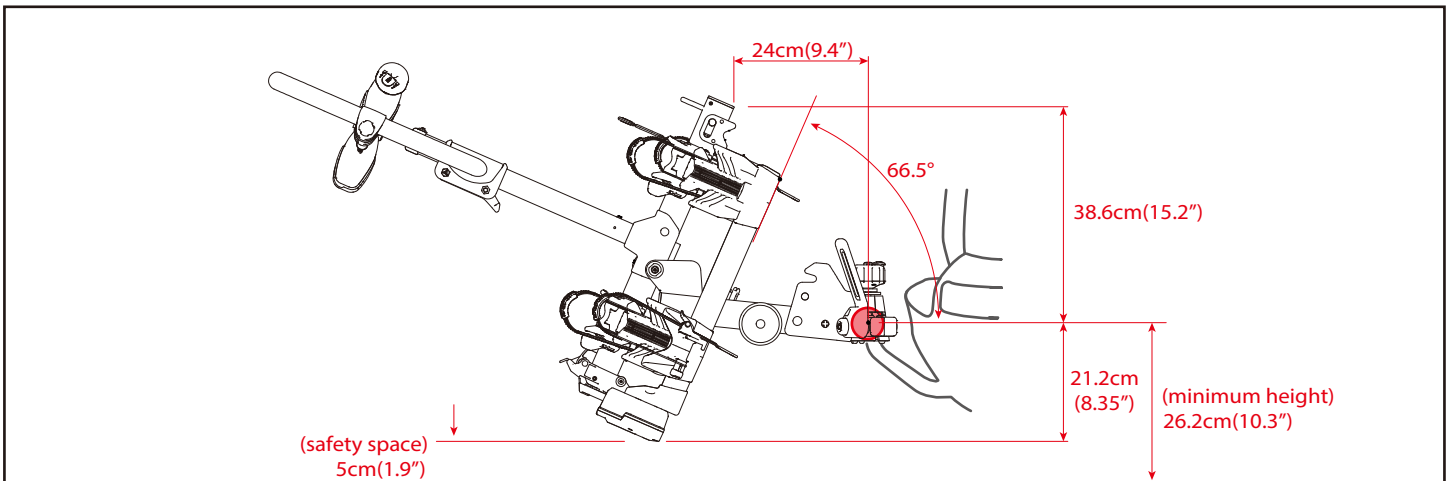
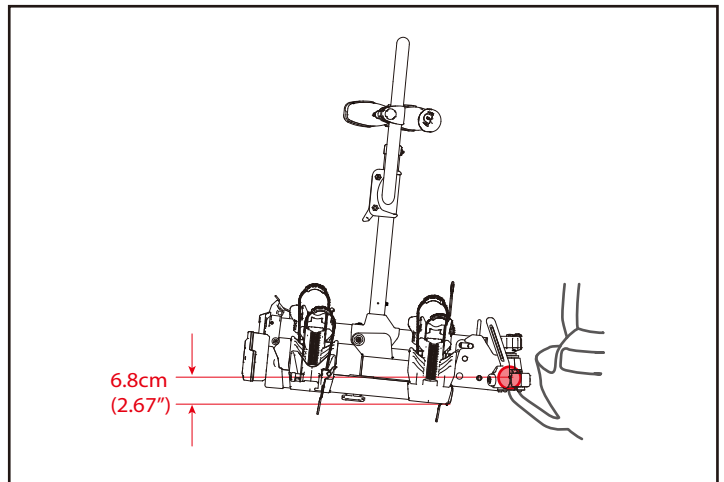
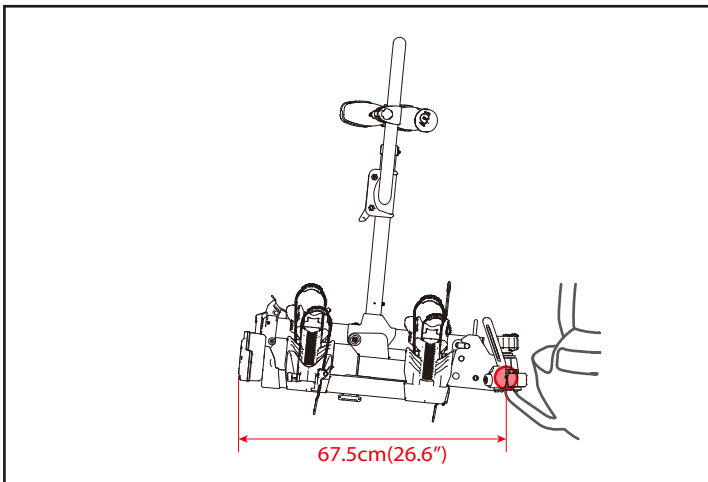
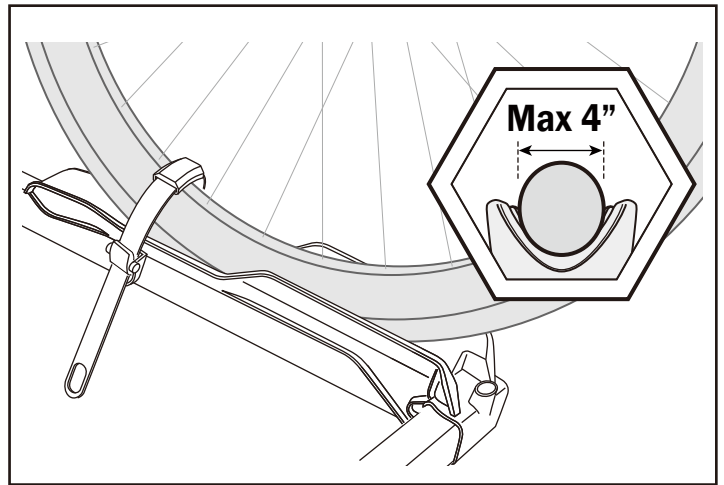
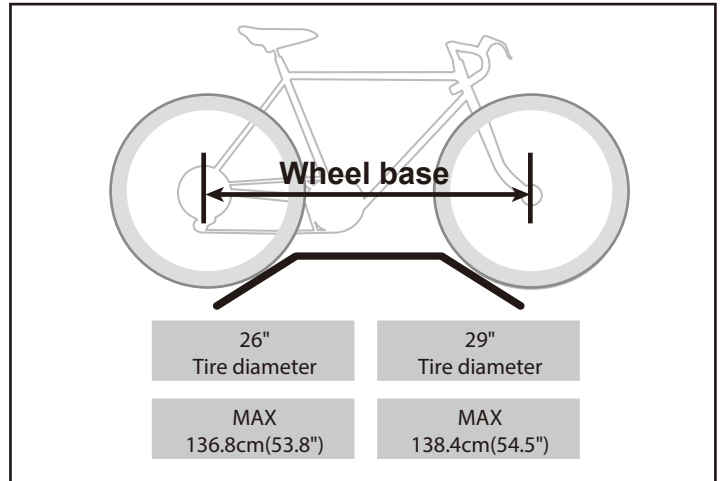
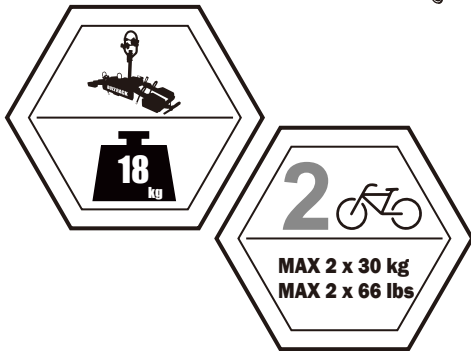
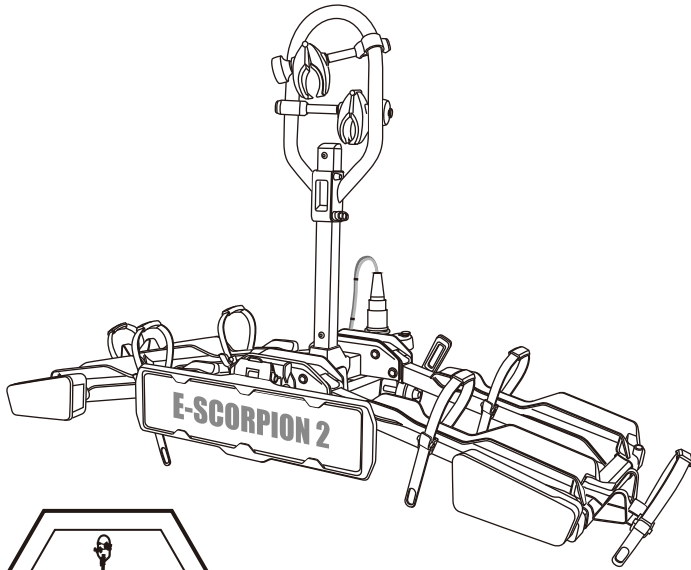


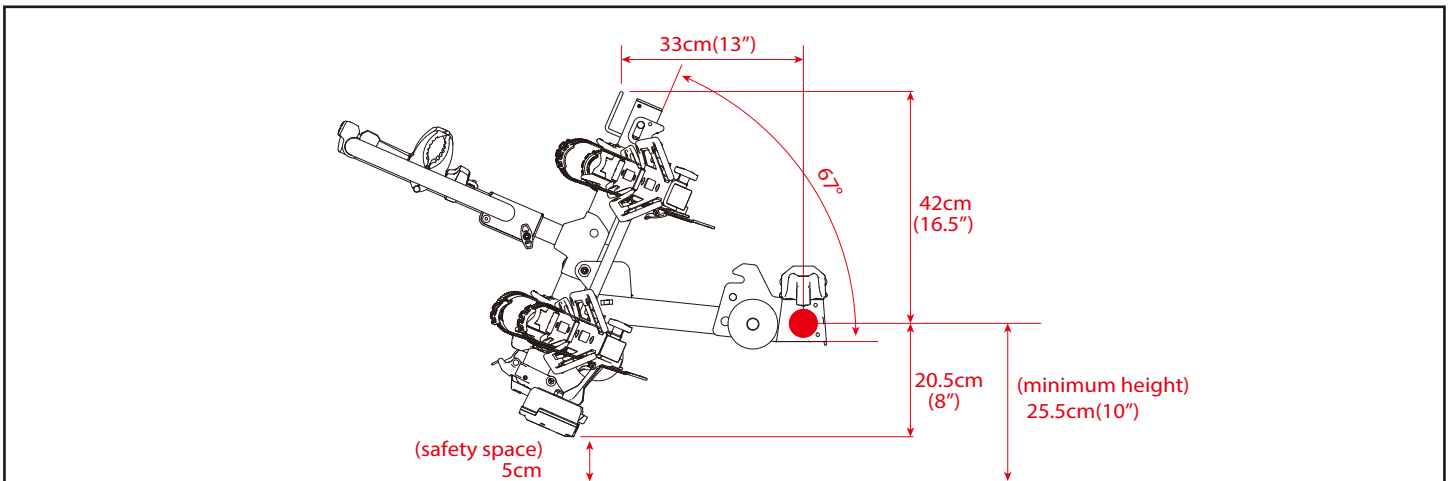
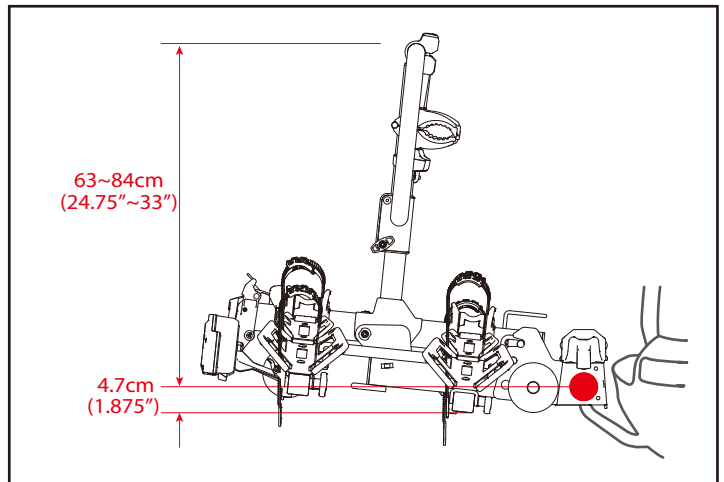
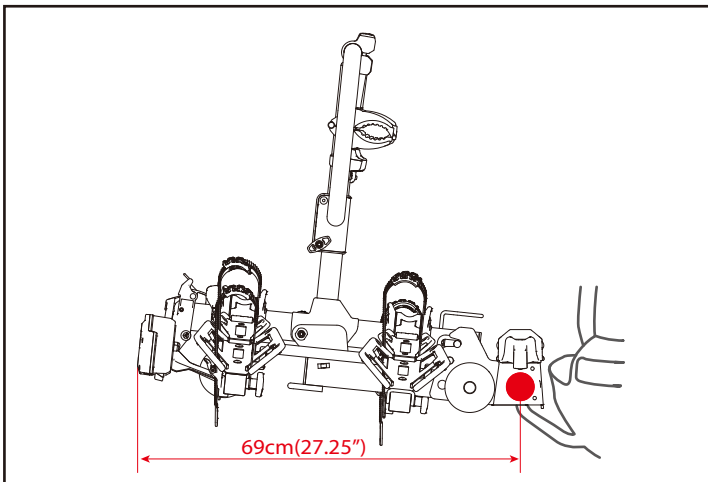
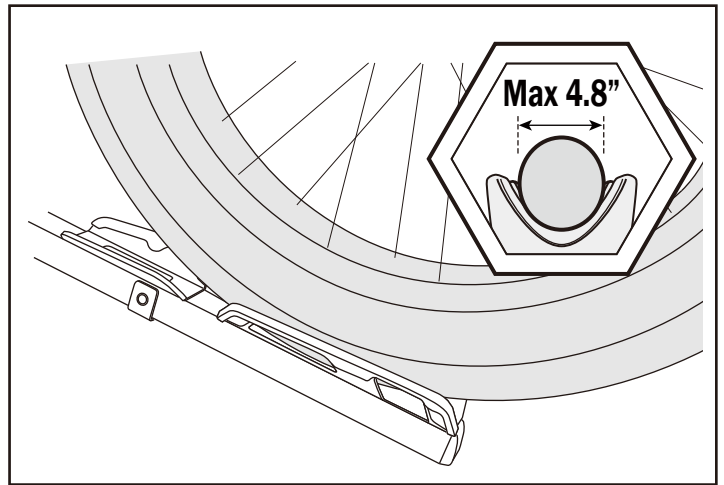
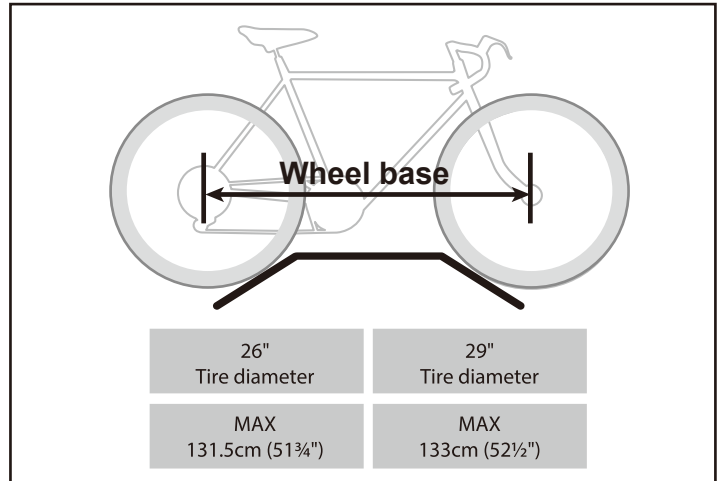
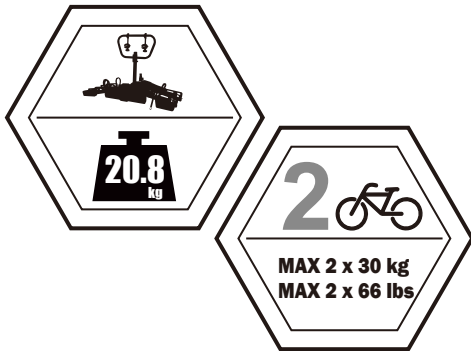
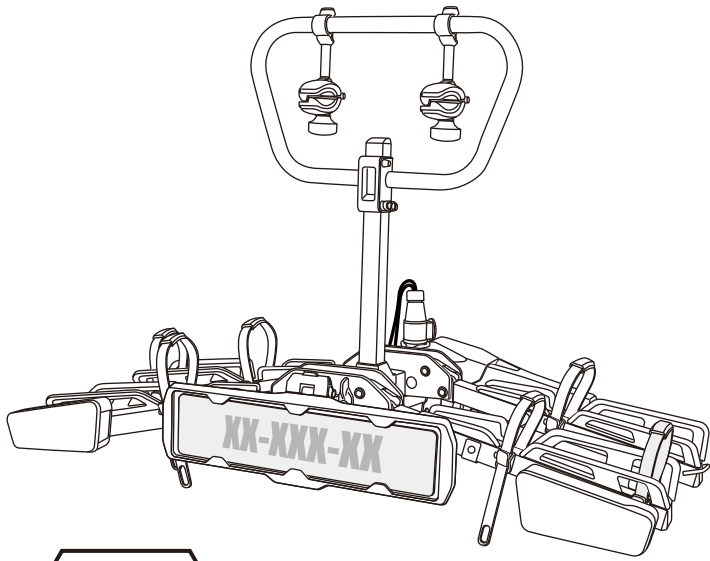
## E-SCORPION 1



## E-SCORPION 2



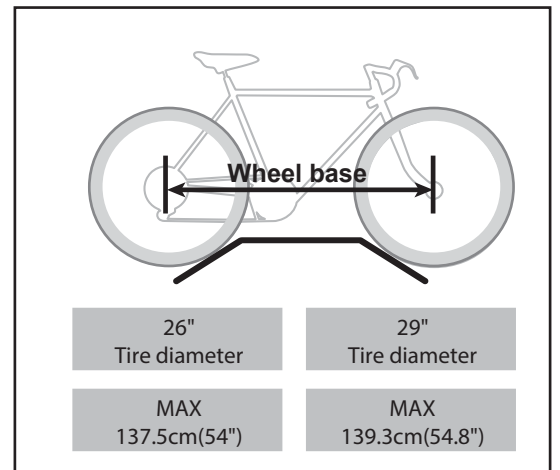
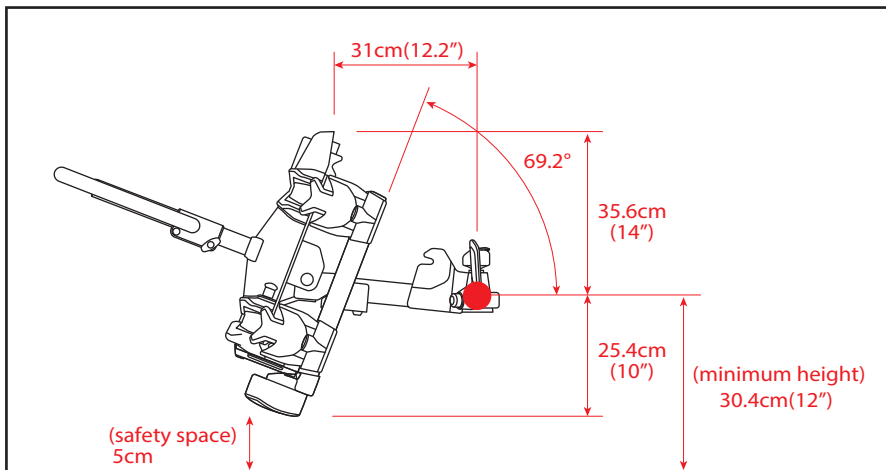
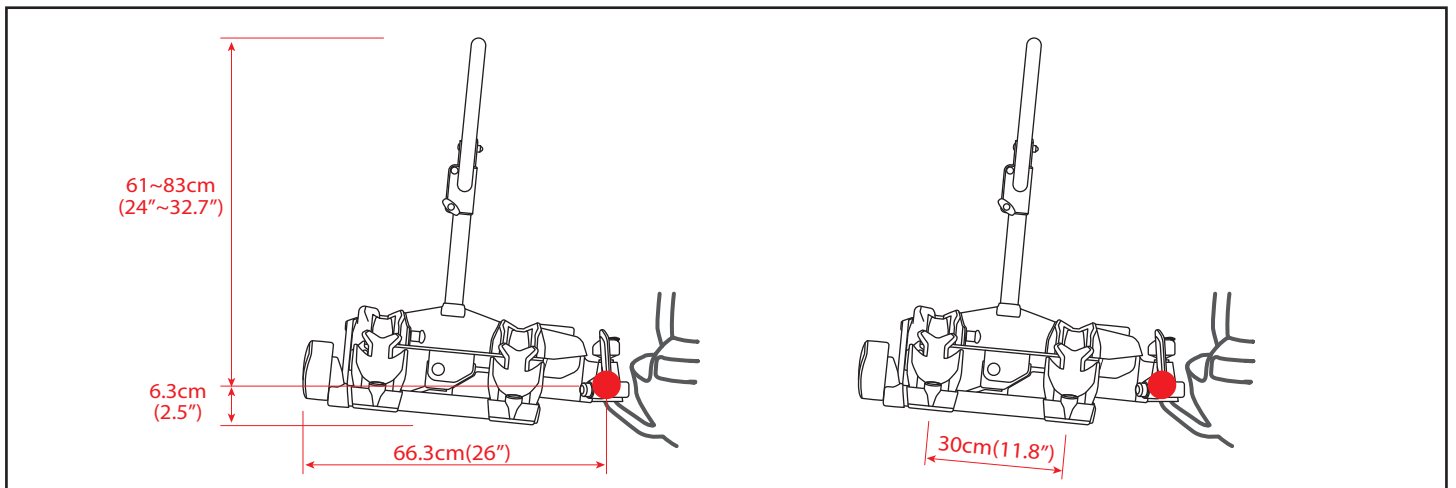
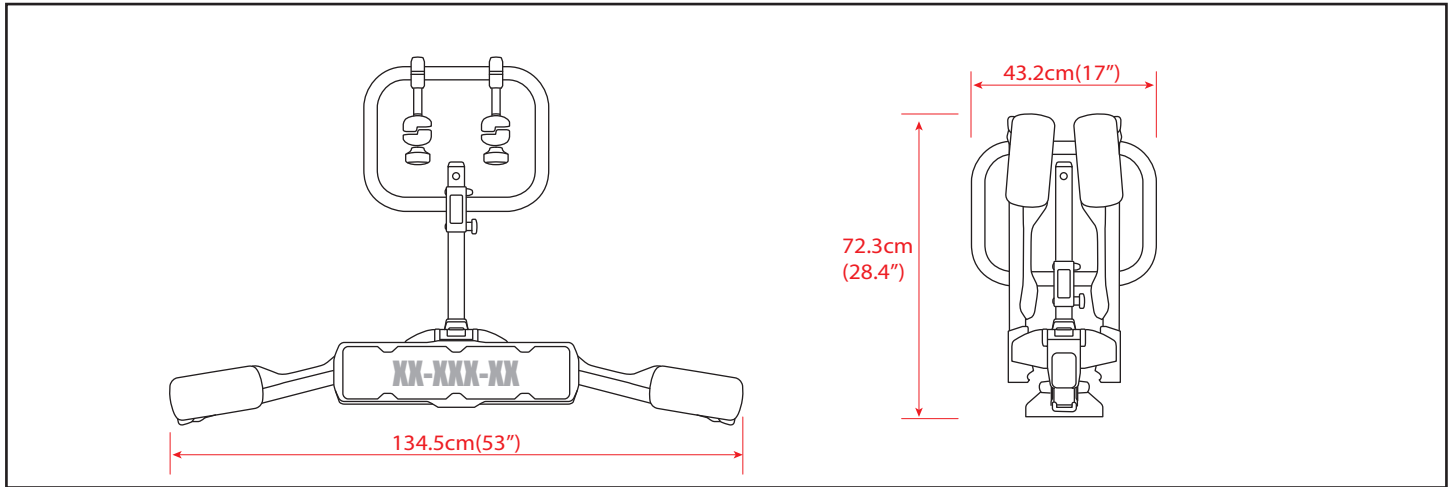
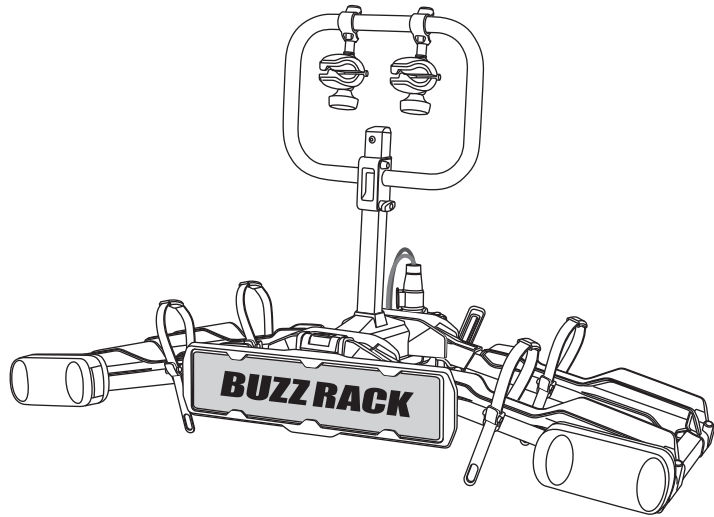
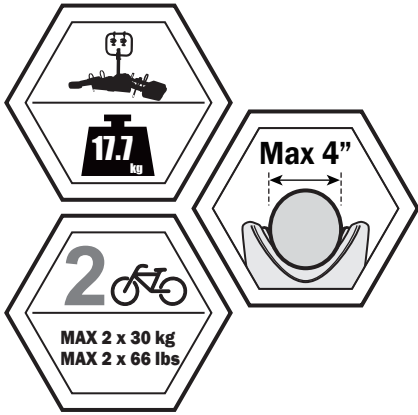
## E-SCORPION XL



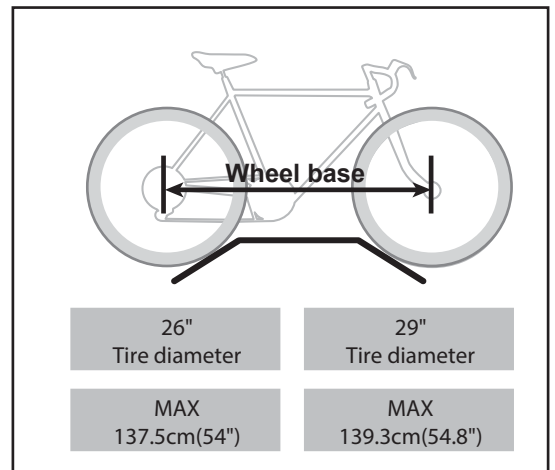
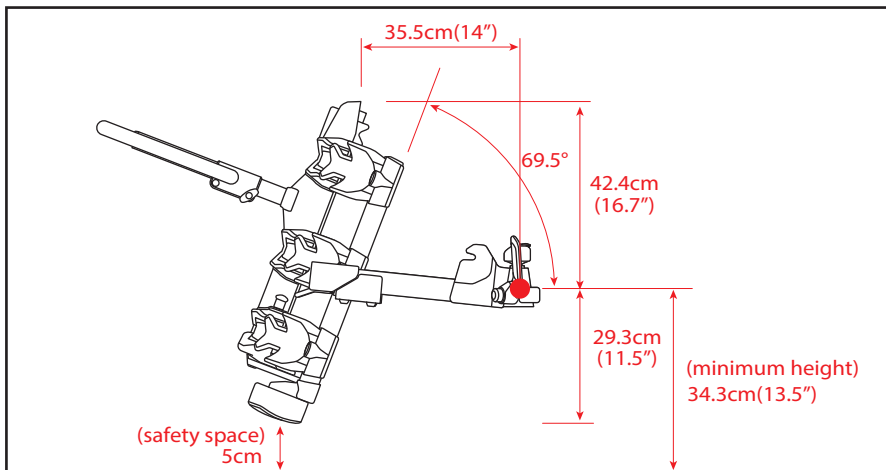
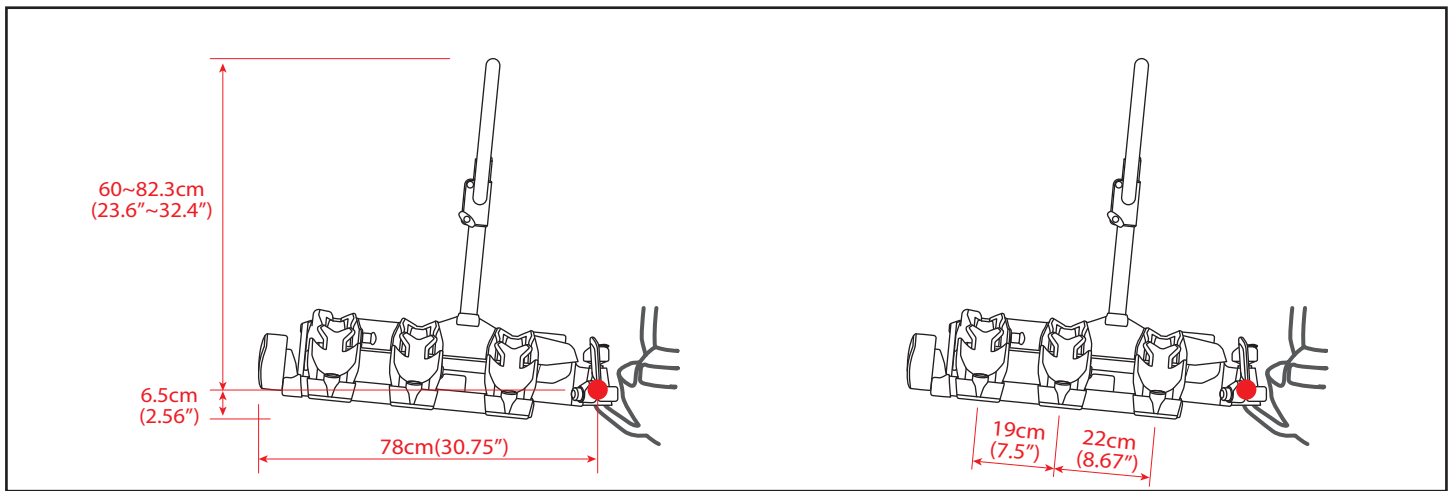
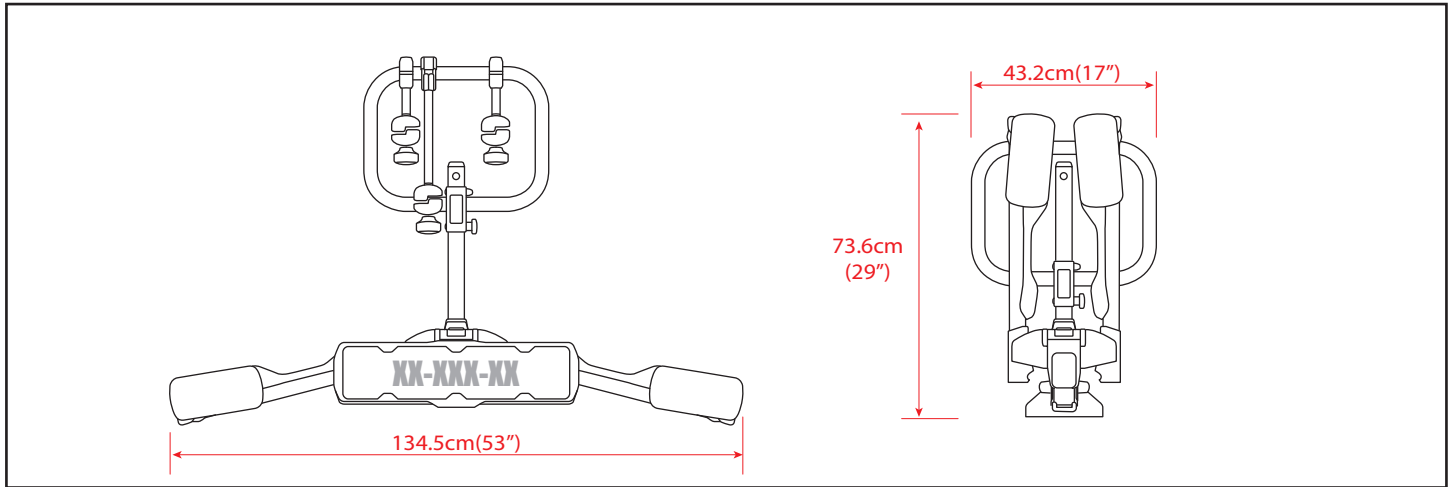
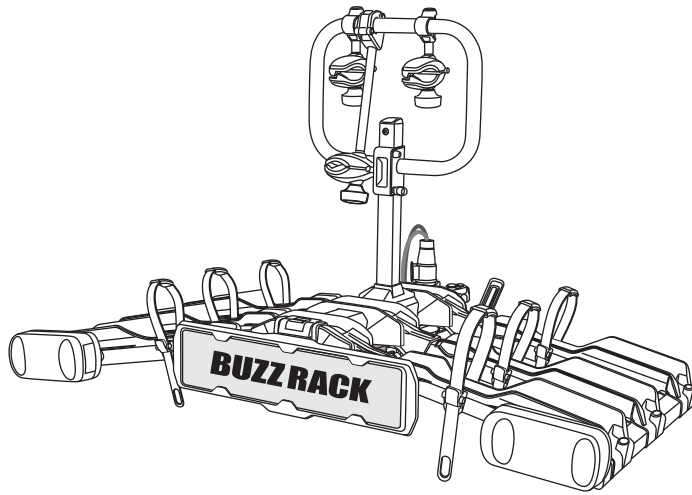
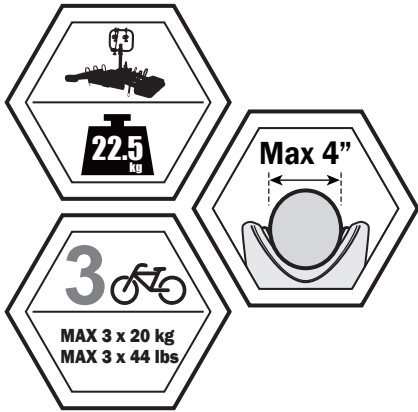
# TECHNICAL INFORMATION

# BUZZ RACK

## SCORPION LITE2



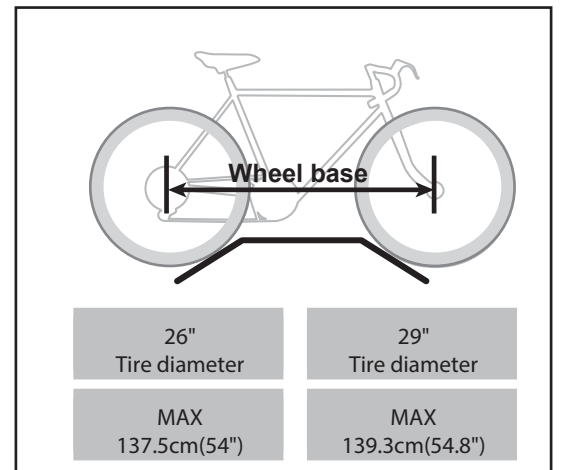
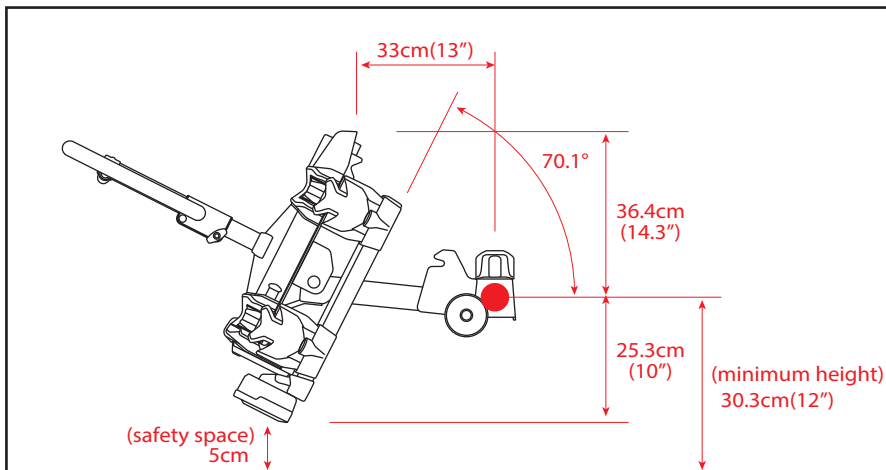
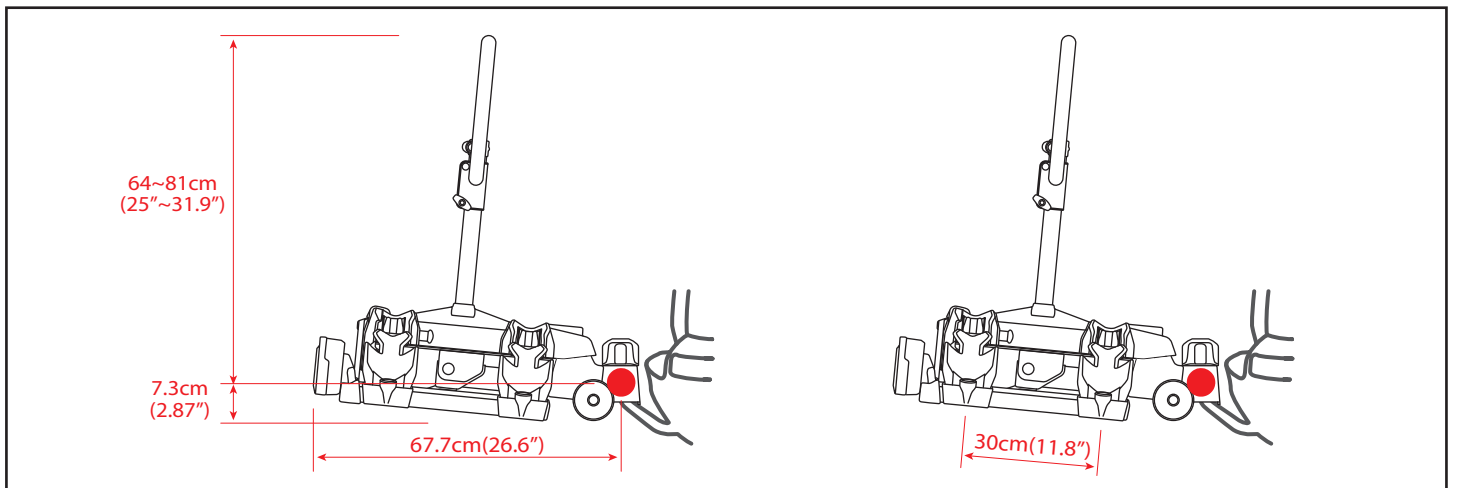
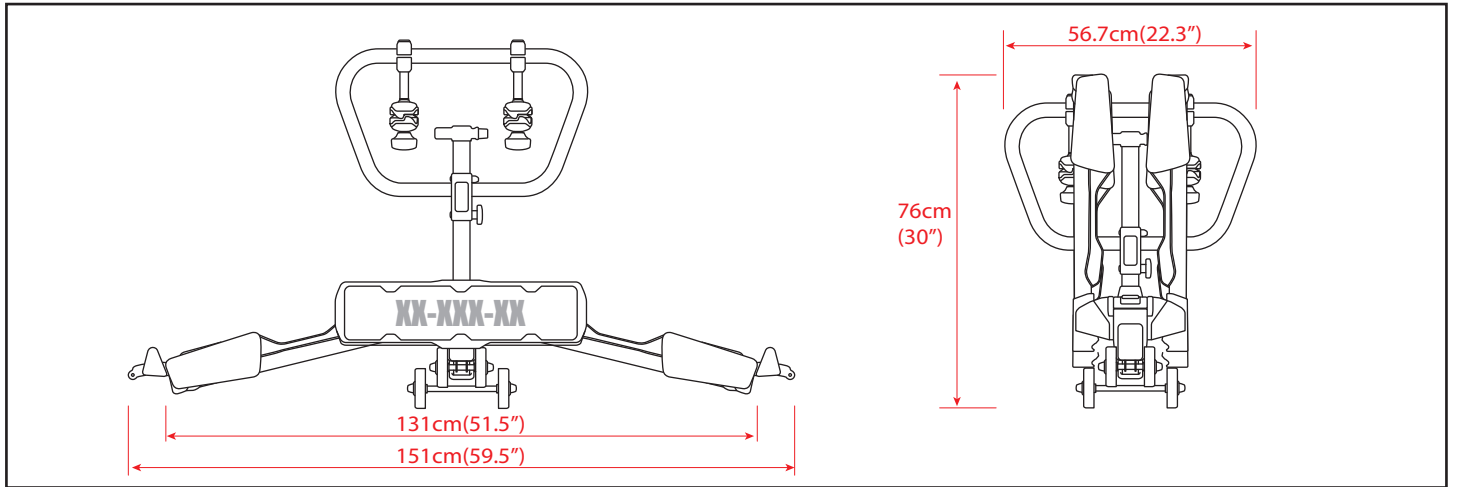
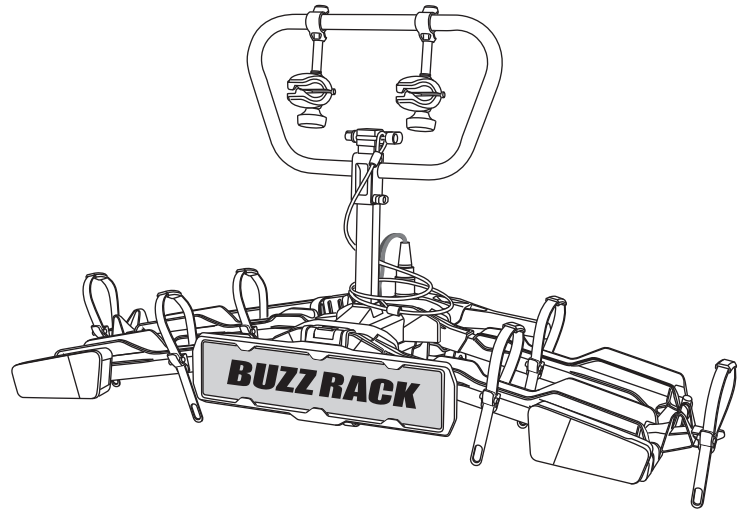
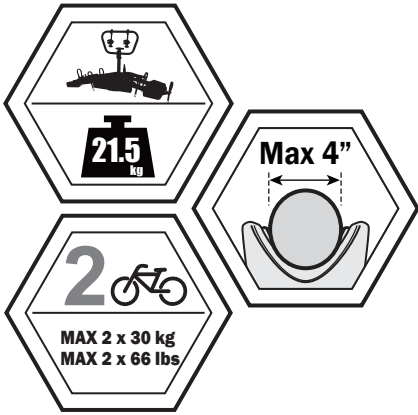
## SCORPION LITE3



# TECHNICAL INFORMATION

# BUZZ RACK

## SCORPION PRO2





# TECHNICAL INFORMATION

# BUZZRACK

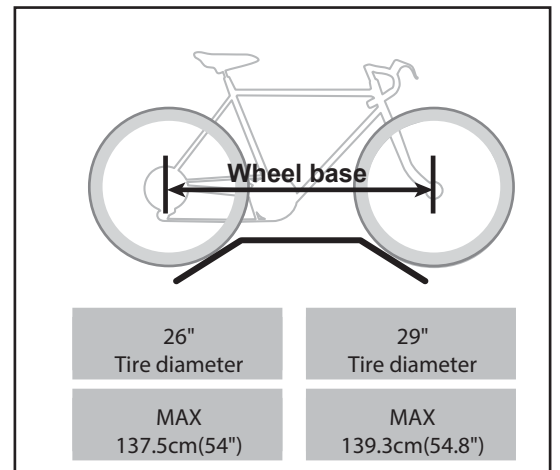
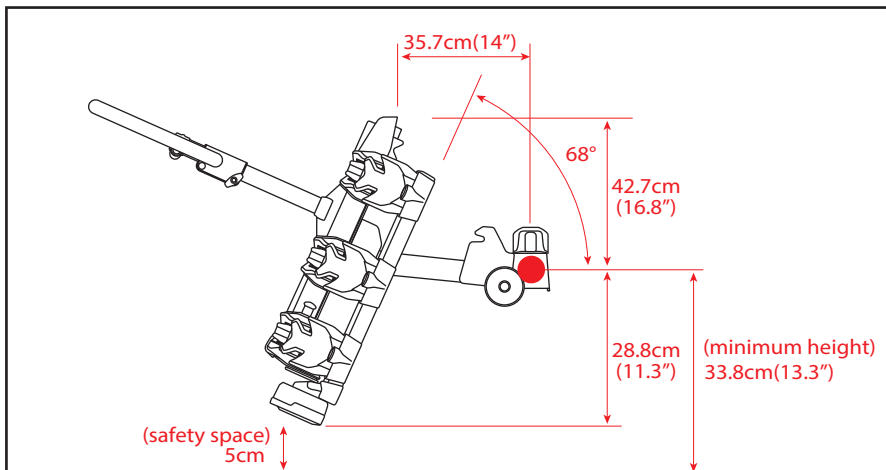
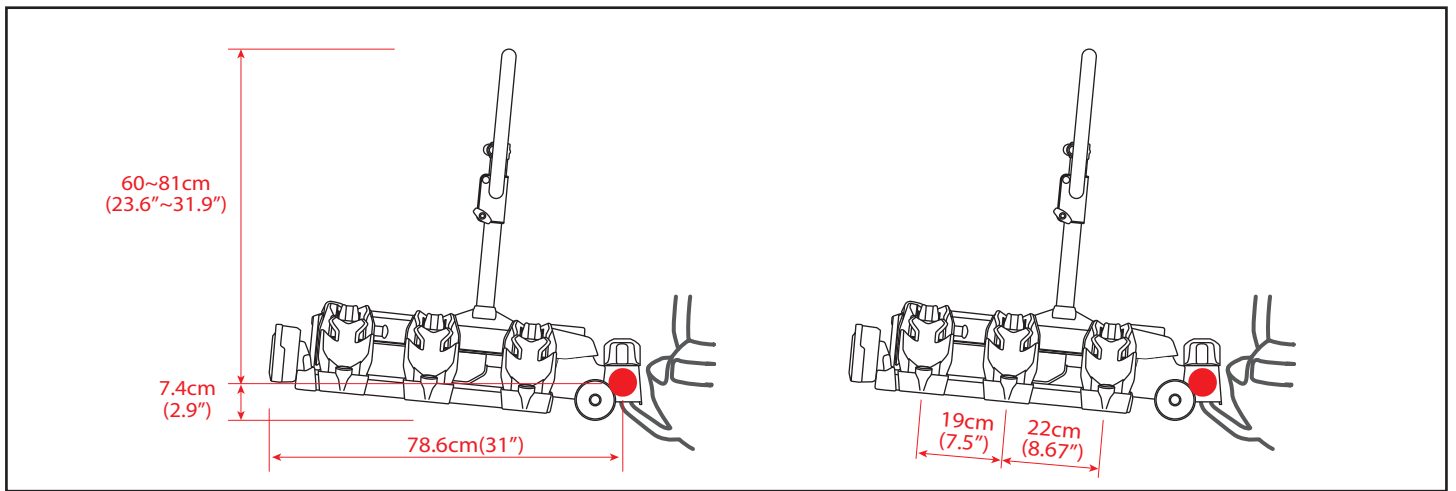
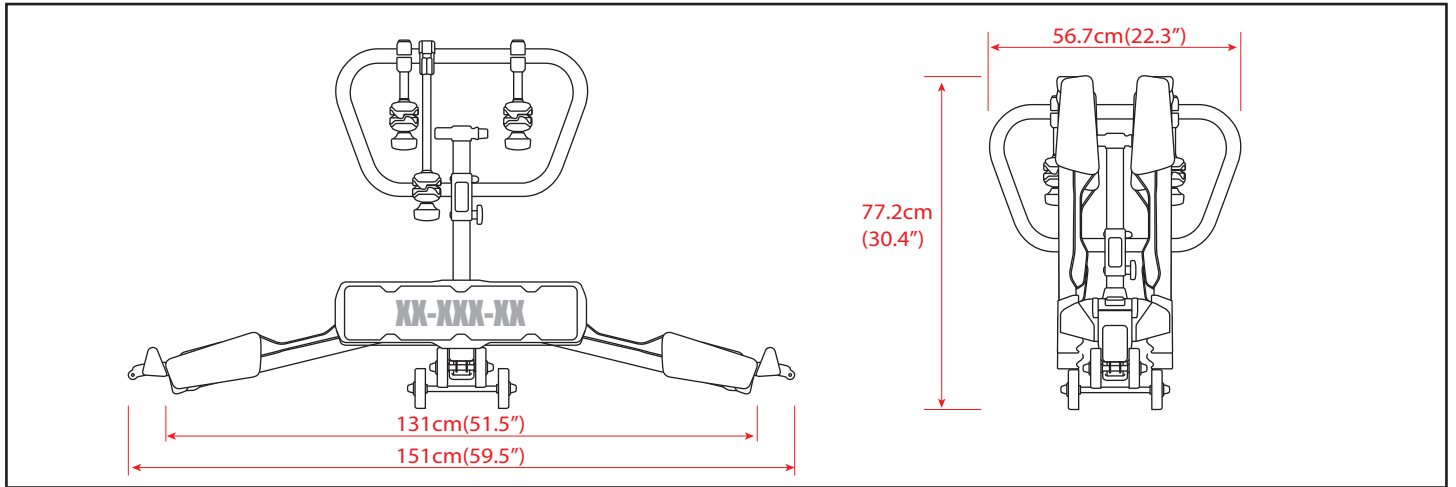
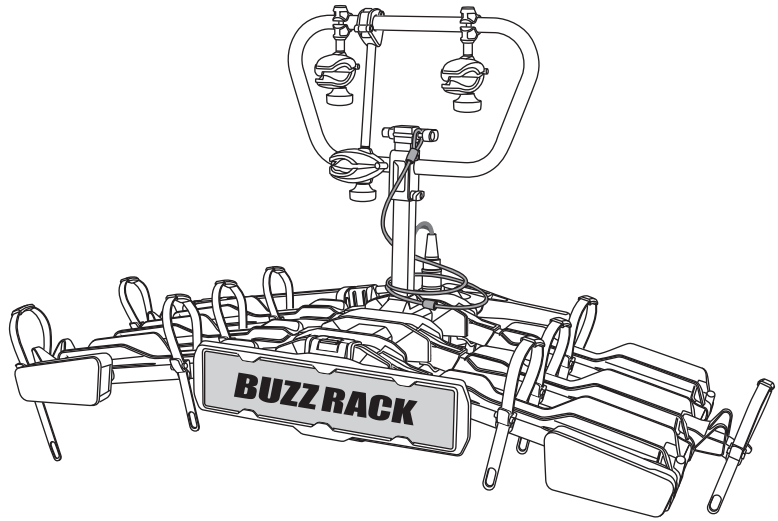
## SCORPION PRO3

26.4 kg

Max 4"

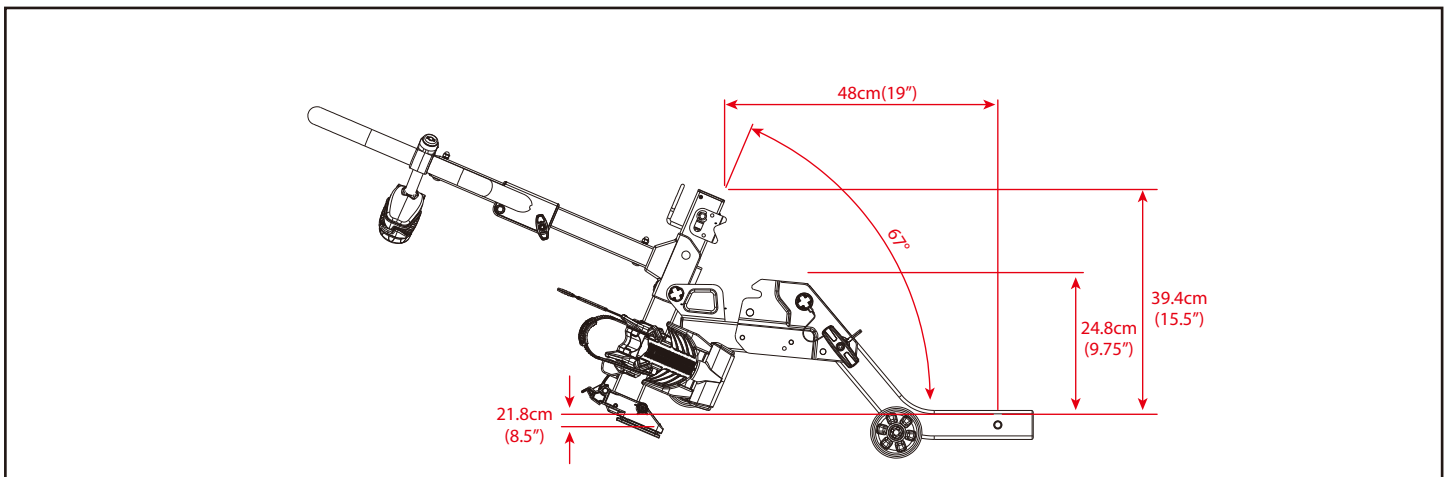
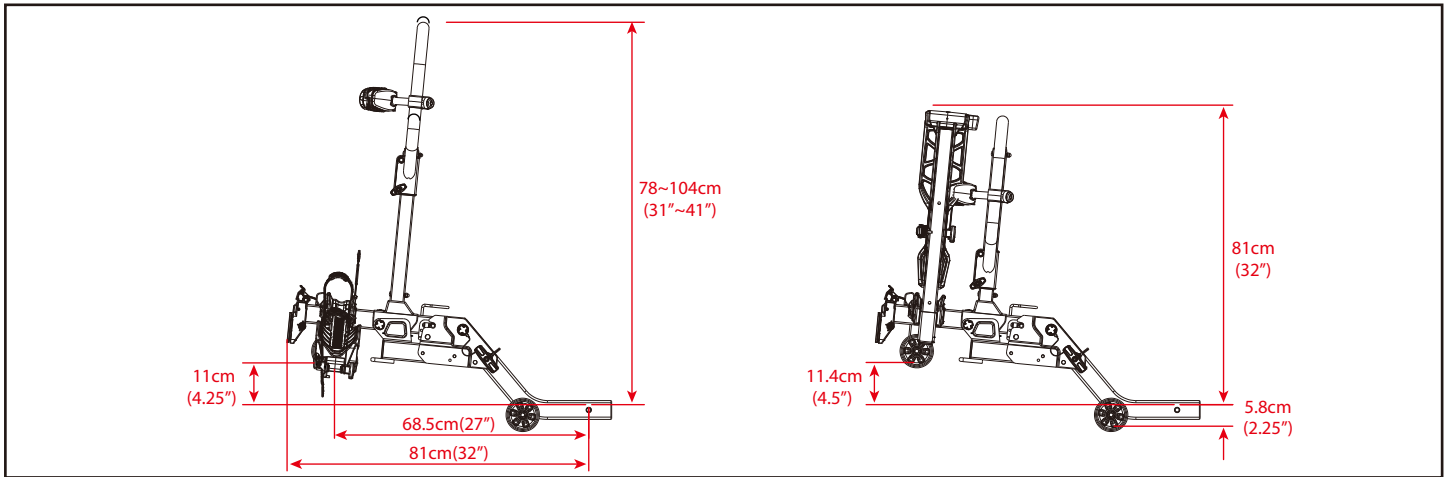
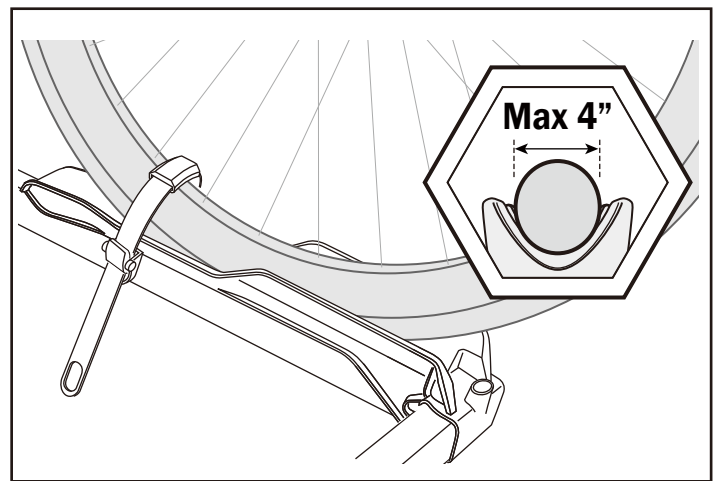
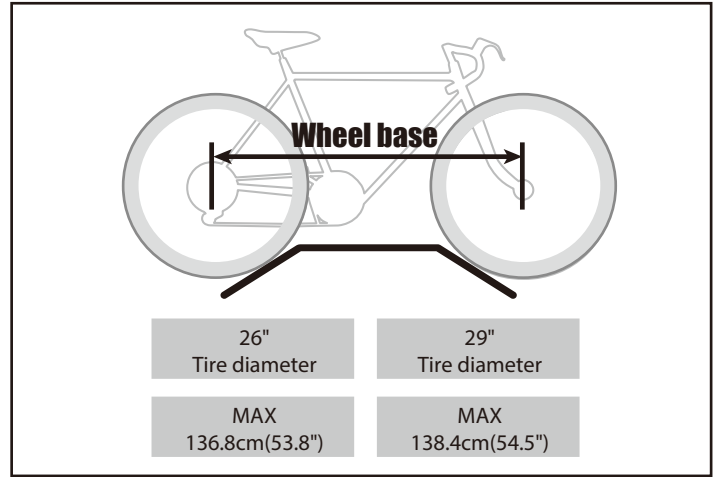
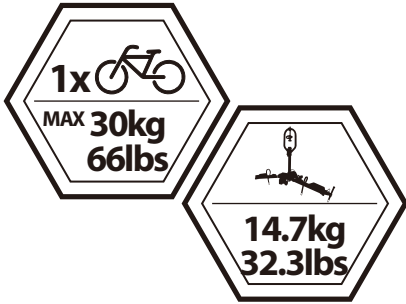
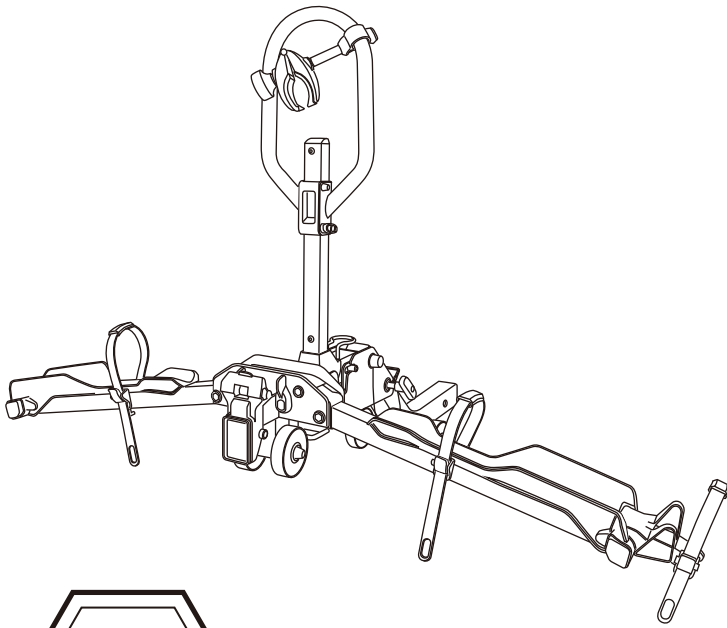
3

MAX 3 x 20 kg  
MAX 3 x 44 lbs



# TECHNICAL INFORMATION

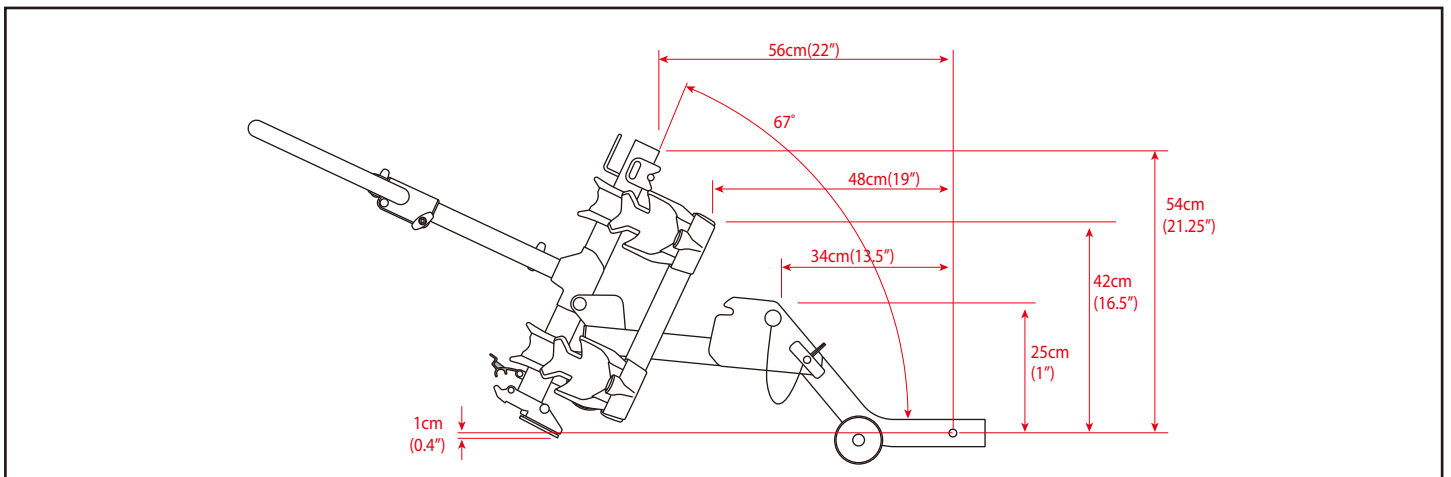
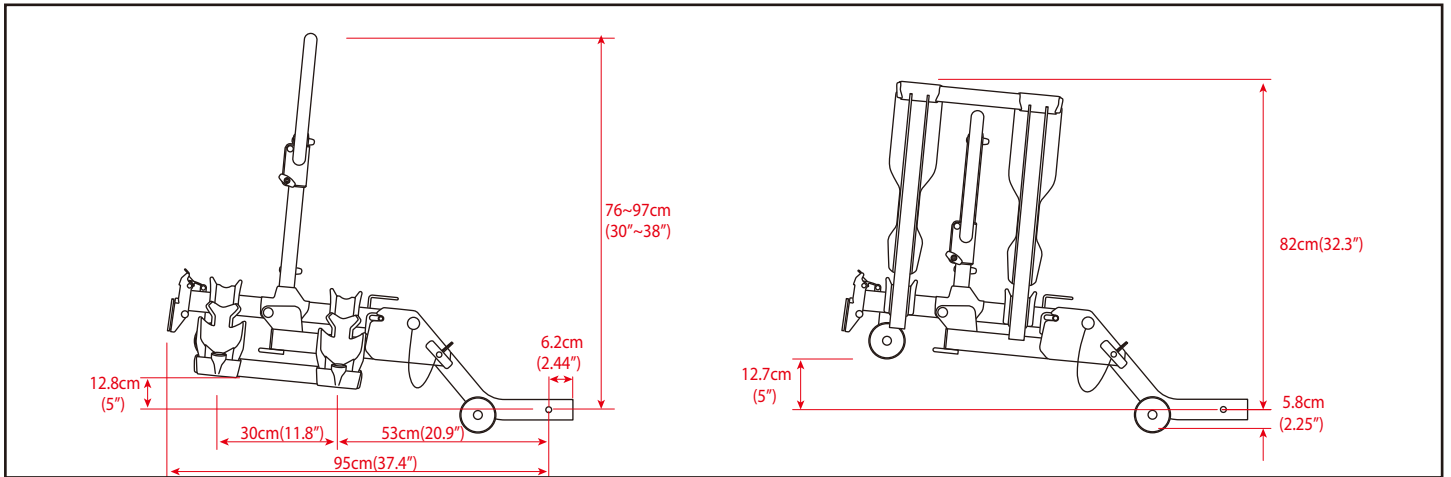
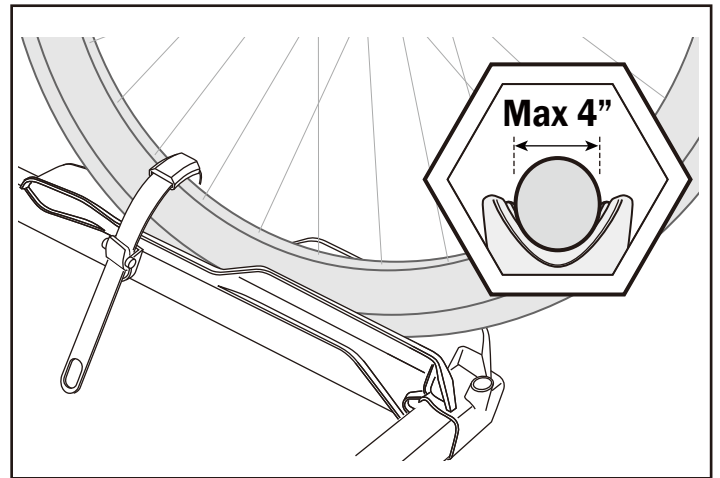
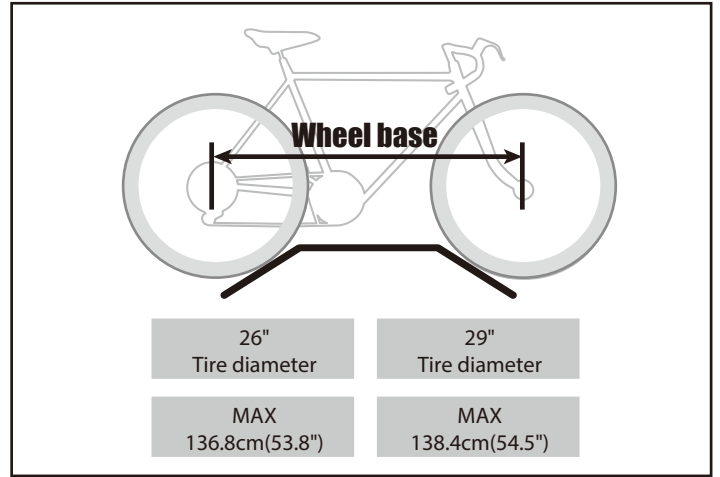
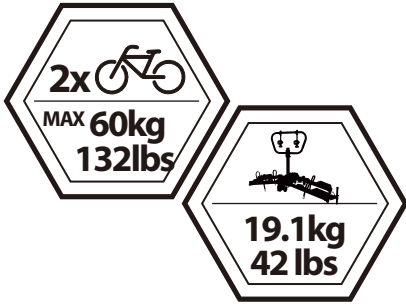
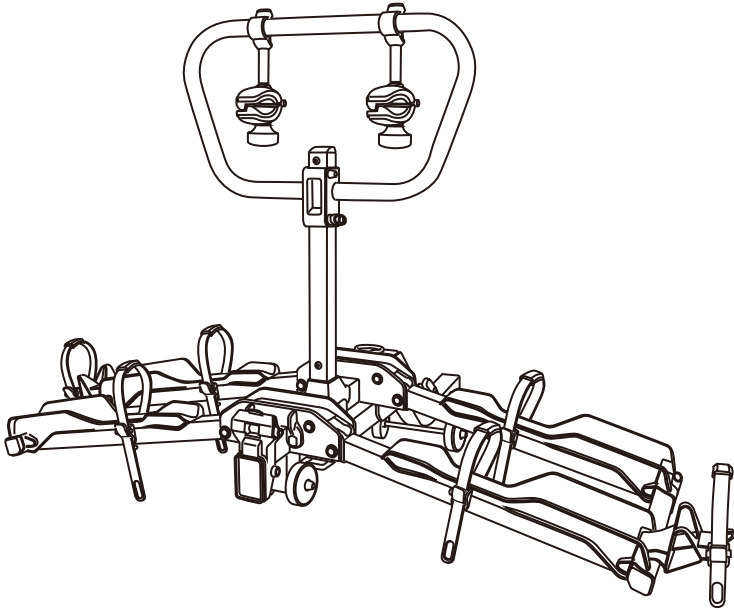
# E-SCORPION H1



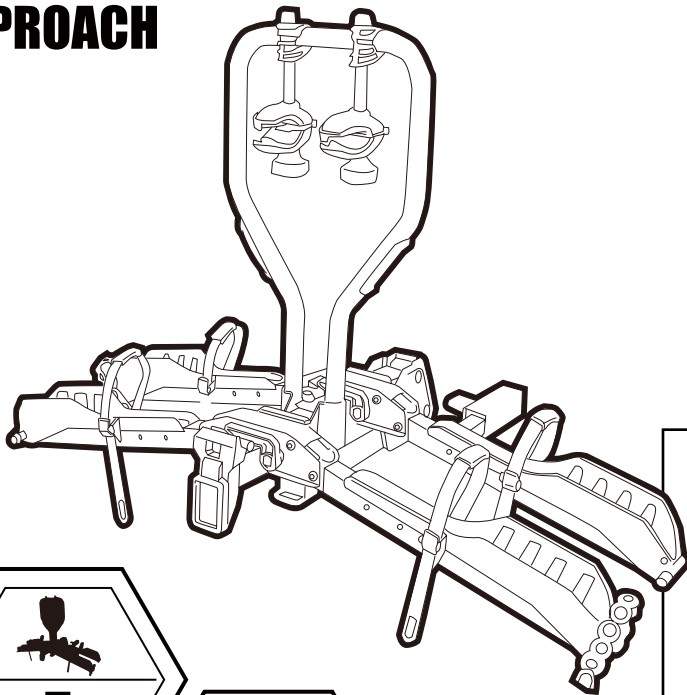


# TECHNICAL INFORMATION

# E-SCORPION H2



## SCORPION H APPROACH



10"		26"		29"	
Tire diameter		Tire diameter		Tire diameter	
MIN	MAX	MIN	MAX	MIN	MAX
20"	35"	30"	47"	32"	47"

