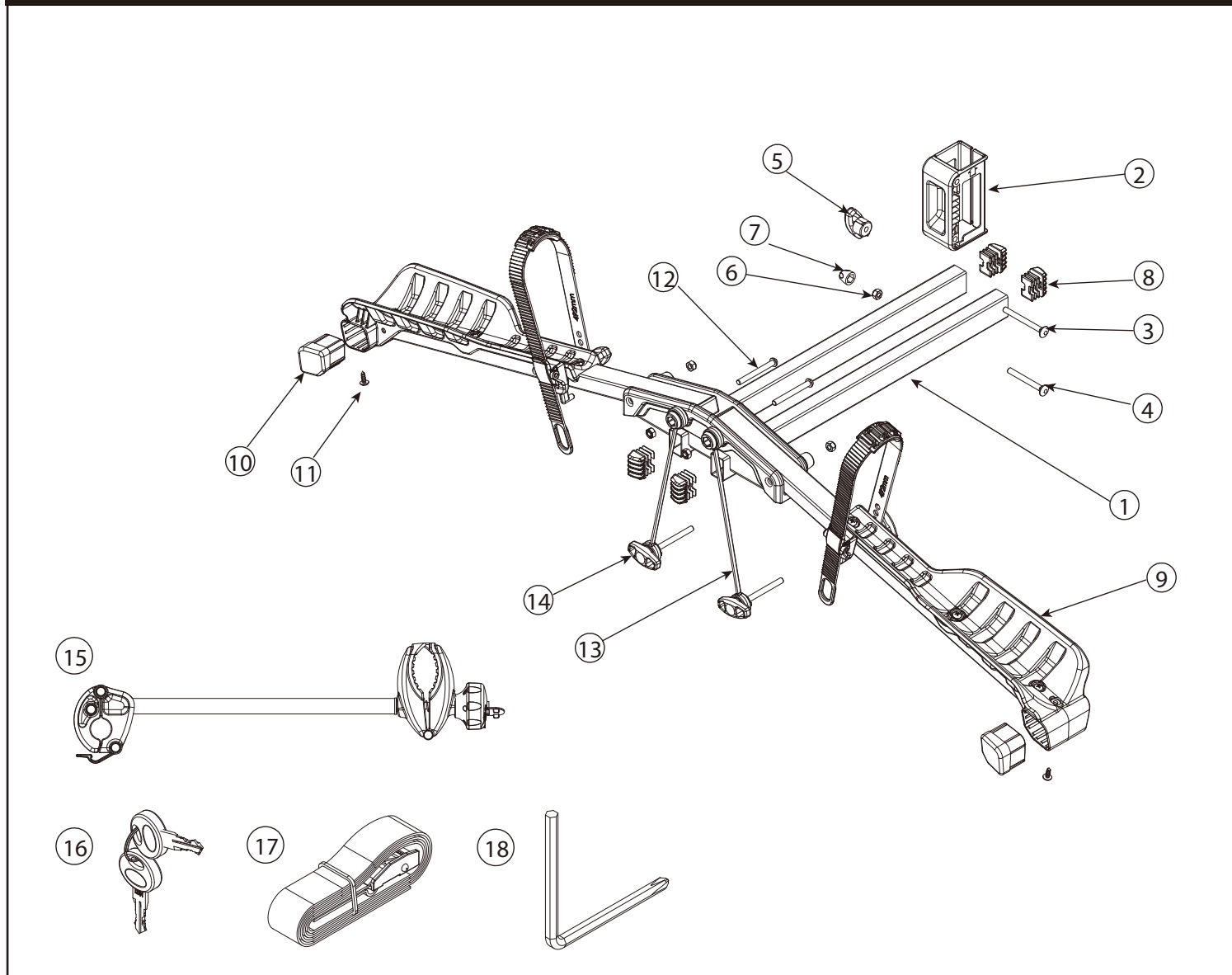


SPARE PARTS



PART	DESCRIPTION	PART NUMBER	QTY.	PART	DESCRIPTION	PART NUMBER	QTY.
1	Extension kit		1	16	Key	147-01905-99D	2
2	Bushing	130-00820-01C	1	17	Safety strap	3522-00197-03C-01	1
3	Carriage bolt M6x62mm	140-0106-026-04D	1	18	Allen key	144-00009-06D	1
4	Carriage bolt M6x55mm	140-0106-023-04D	1	19			
5	T-knob	3509-00319-01C	1	20			
6	Nylock nut M6	141-0106-001-04D	5	21			
7	Screw cap M6	130-00458-01C	1	22			
8	End cap 20x30mm	130-00340-01C	4	23			
9	Wheel support assembly		2	24			
10	End cap	130-00737-01C	2	25			
11	Screw Ø4.8x14	140-1783-002-04D	2	26			
12	Screw M6x55mm	140-1106-013-04D	2	27			
13	Knob strap	130-00473-16C	2	28			
14	Knob with Hex bolt M6x65mm	3509-00224-01C	2	29			
15	Quick-release locking clamp assembly		1	30			

