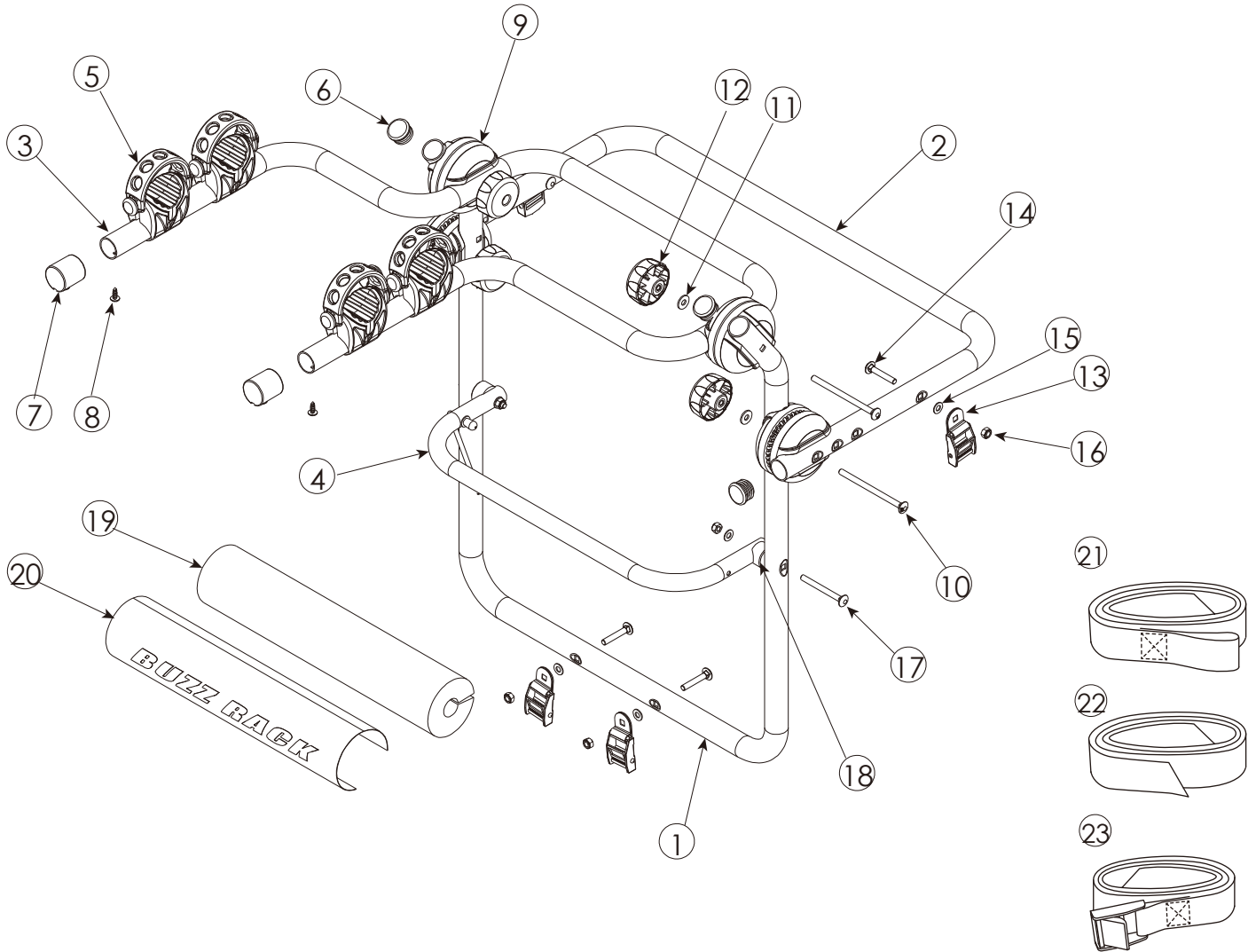
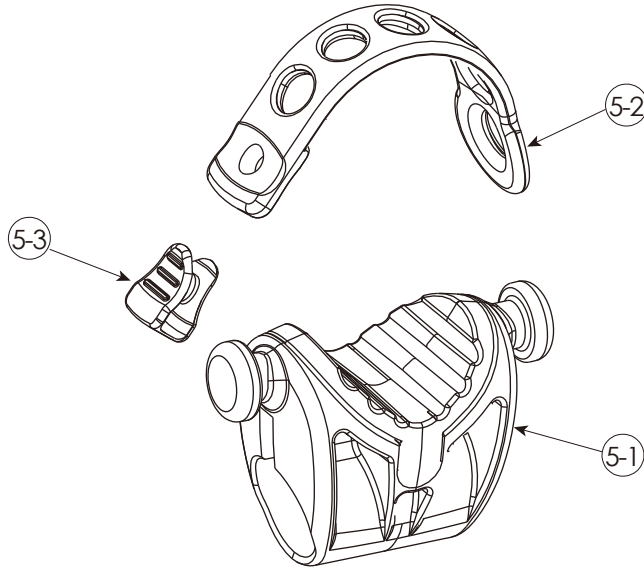


SPARE PARTS



PART	DESCRIPTION	PART NUMBER	QTY.	PART	DESCRIPTION	PART NUMBER	QTY.
1	Frame tube	3201-00234-01P	1	16	Nylock nut M6	141-0106-001-04D	6
2	Top tube	3201-00235-01P	1	17	Carriage bolt M6x62mm	140-0106-026-04D	2
3	Arm tube	3201-00220-01P	1	18	Plastic washer 3/4"	130-00296-01C	2
4	Anti-sway tube	3509-00231-99C	1	19	PE foam Ø24xØ70x350mm	134-00026-01C	1
5	Cradle assembly		4	20	Pad velcro protector	139-00022-05C	1
6	End cap Ø1"	130-00030-01C	4	21	Strap	3521-00193-01C	2
7	End cap	130-00400-01C	2	22	Strap	133-0120-001-01C	1
8	Screw Ø4.8x14	140-1783-002-04D	2	23	Safe strap	3522-00197-03C	1
9	Hub	130-00138-01C	8	24			
10	Carriage bolt M6x95mm	140-0106-037-04D	4	25			
11	Washer Ø6.5xØ16	142-1065-004-04D	4	26			
12	Knob M6	3503-00088-01C	4	27			
13	Buckle	3509-00004-99C	4	28			
14	Carriage bolt M6x37mm	140-0106-053-04D	4	29			
15	Washer Ø6.5xØ13	142-1065-003-04D	6	30			

SPARE PARTS



PART	DESCRIPTION	PART NUMBER	QTY.	PART	DESCRIPTION	PART NUMBER	QTY.
5-1	Cradle	3501-00018-05C	1				
5-2	Strap	3508-00003-01C	1				
5-3	Strap clip button	130-00486-05C	1				
5-4							
5-5							
5-6							
5-7							
5-8							
5-9							
5-10							