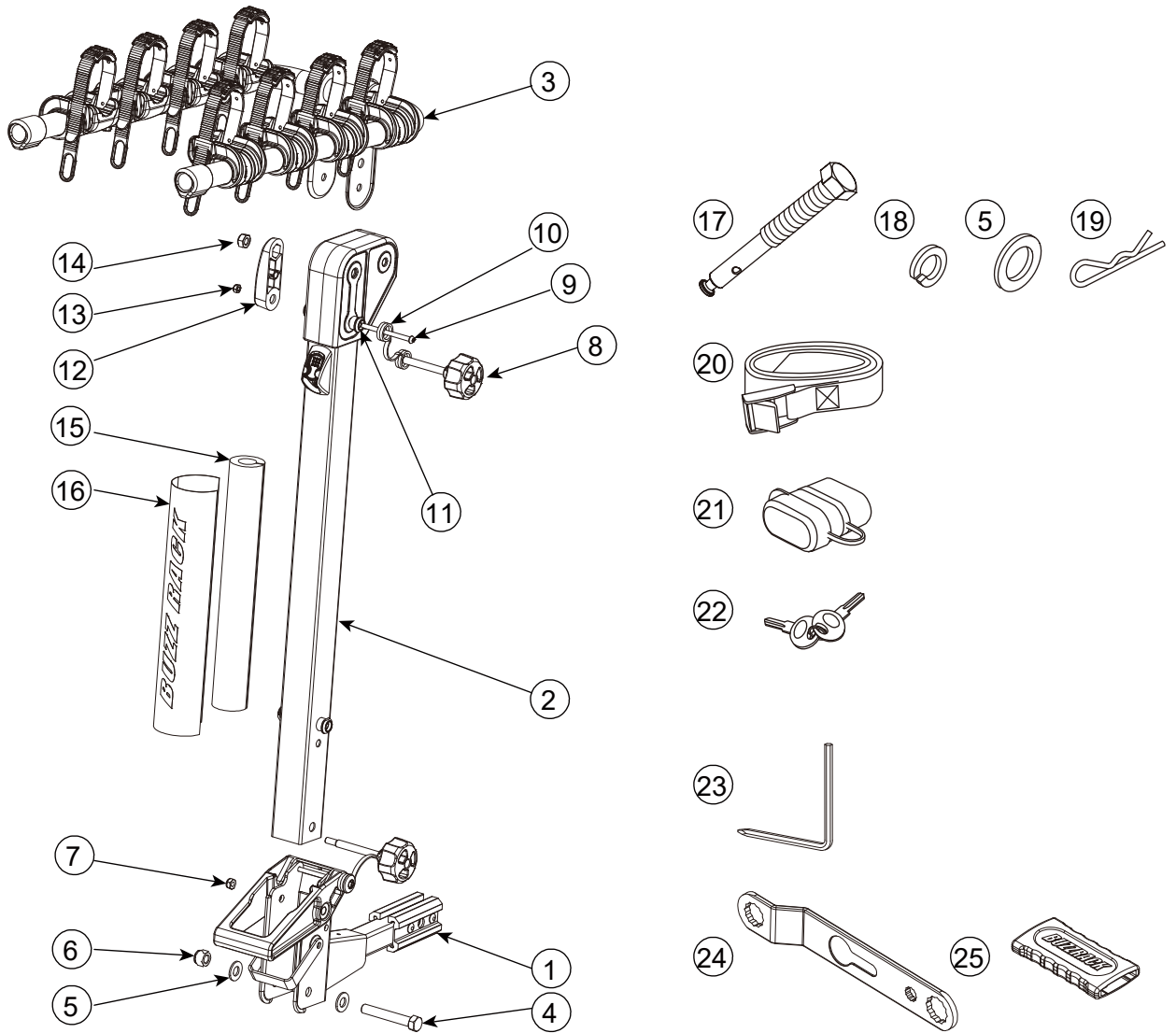
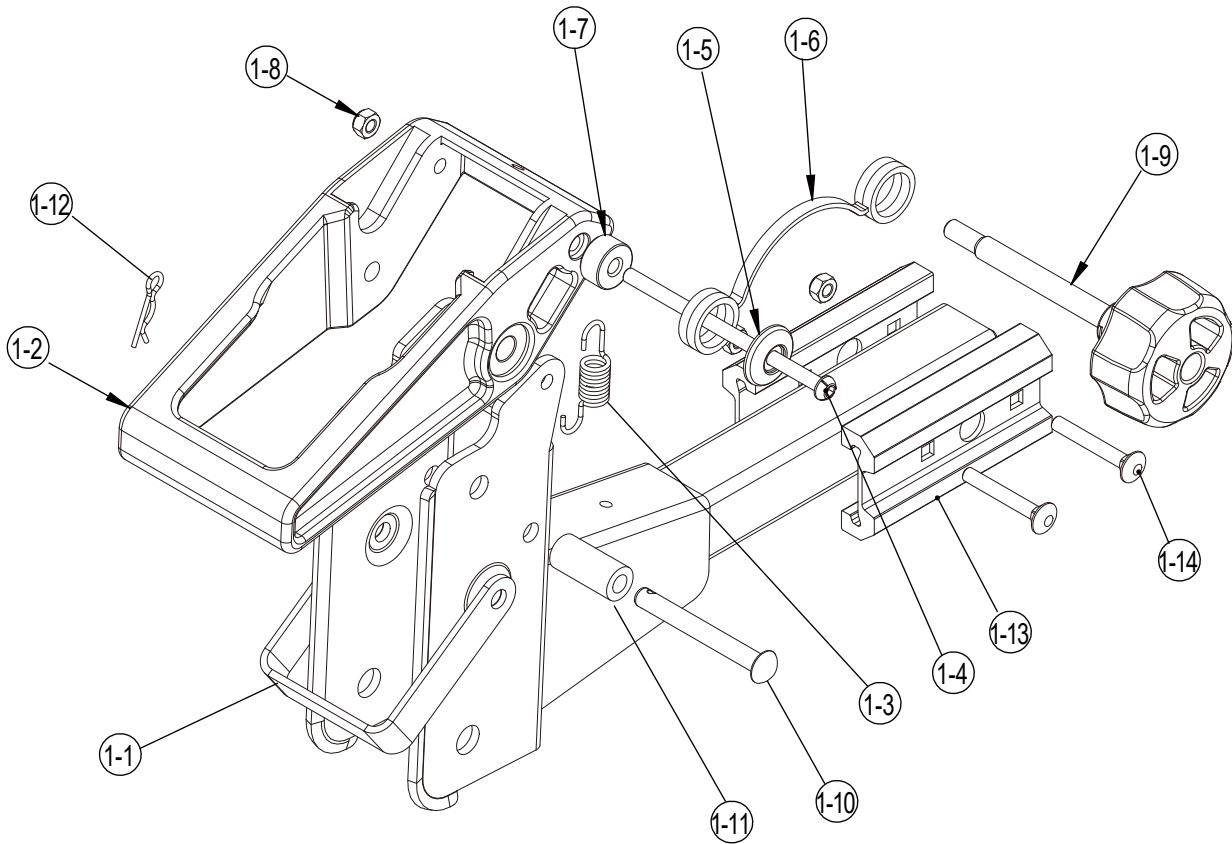


SPARE PARTS



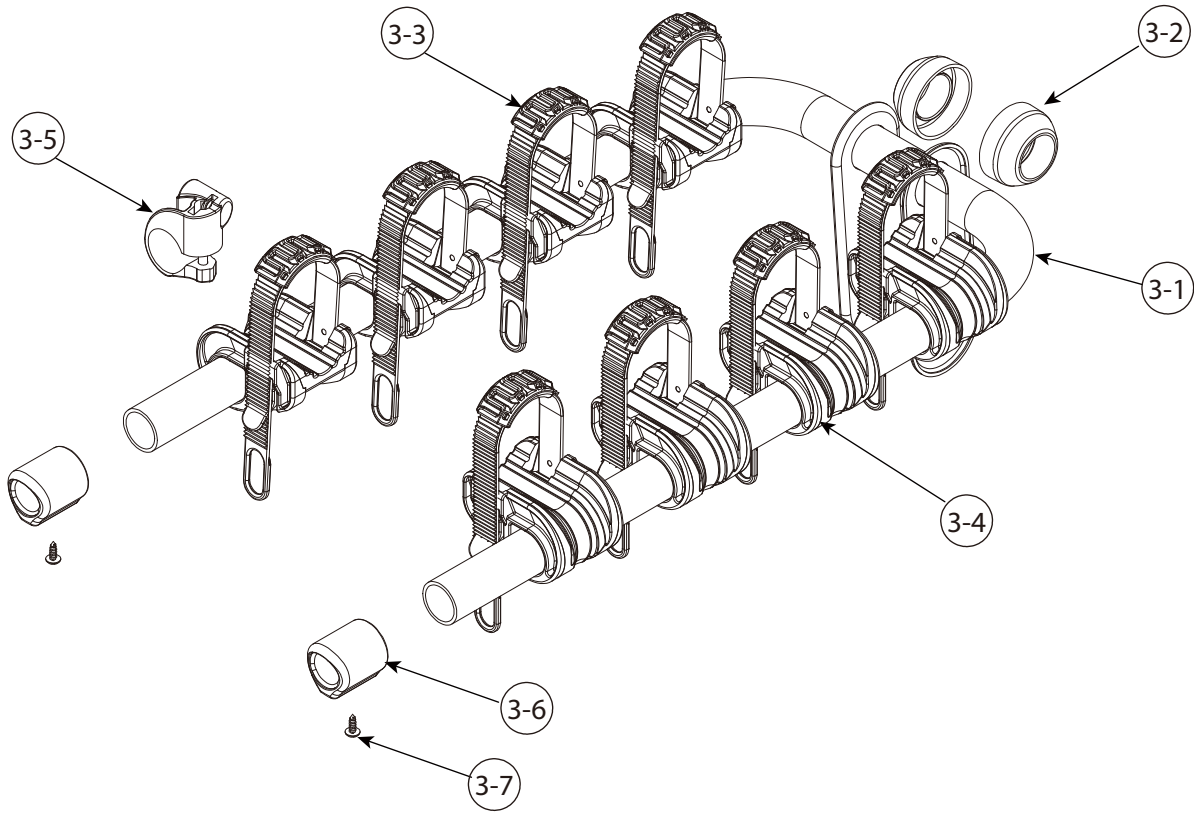
PART	DESCRIPTION	PART NUMBER	QTY.	PART	DESCRIPTION	PART NUMBER	QTY.
1	Foot assembly		1	16	Pad velcro protector	139-00022-16C	1
2	Vertical tube assembly		1	17	Hex bolt 1/2"x13uncx118mm	140-0440-008-04D	1
3	Top frame assembly		1	18	Spring washer 1/2"	142-2045-001-04D	1
4	Hex bolt 1/2"x13uncx3.25"	140-0340-004-04D	2	19	R-pin	143-00003-04D	1
5	Washer Ø13.5xØ27	142-1135-003-04D	2	20	Safety strap	3522-00197-03C	1
6	Nylock nut 1/2"x13unc	141-0140-001-04D	1	21	Hitch lock	3509-00301-16C	1
7	Nylock nut M8	141-0108-001-04D	3	22	Keys	147-01905-99D	2
8	Knob M10x100.5mm	3503-00117-16C	1	23	Allen key	144-00009-06D	1
9	Screw M6x82mm	140-1106-022-04D	1	24	Wrench	3344-00008-00P	1
10	Knob strap	130-00473-16C	1	25	Wrench pad	130-00513-01C	1
11	Screw cap	118-00093-04D	1	26			
12	Nut cap	130-00485-01C	1	27			
13	Nylock nut M6	141-0106-001-04D	1	28			
14	Nylock nut M10	141-0110-001-04D	1	29			
15	PE foam pad	134-00021-01C	1	30			

SPARE PARTS



PART	DESCRIPTION	PART NUMBER	QTY.	PART	DESCRIPTION	PART NUMBER	QTY.
1-1	Foot welding	3204-00085-44P	1				
1-2	Pedal	130-00478-01C	1				
1-3	Spring	145-00041-13D	1				
1-4	Screw M6x110mm	140-1106-025-04D	1				
1-5	Plastic washer M6	130-00445-01C	1				
1-6	Knob strap	130-00473-16C	1				
1-7	Plastic washer Ø6.5xØ20	130-00154-01C	1				
1-8	Nylock nut M6	141-0106-001-04D	3				
1-9	Knob M8x92mm	3503-00100-16C	1				
1-10	Pin	143-00012-04D	1				
1-11	Rubber tube	131-00025-01C	1				
1-12	R-pin Ø1.8	143-00013-04D	1				
1-13	Adapter	3209-00356-00P	2				
1-14	Carriage bolt M6x43mm	140-0106-016-04D	2				
1-15							
1-16							
1-17							
1-18							
1-19							
1-20							

SPARE PARTS



PART	DESCRIPTION	PART NUMBER	QTY.	PART	DESCRIPTION	PART NUMBER	QTY.
3-1	Arm tube welding	3203-00085-44P	1				
3-2	Cap	130-00465-01C	2				
3-3	Ratchet cradle completed(L)	3501-00038-96-16C	4				
3-4	Ratchet cradle completed(R)	3501-00038-97-16C	4				
3-5	Cable locking clip	3509-00246-01C	1				
3-6	End cap	130-00443-01C	2				
3-7	Screw Ø4.8x14mm	140-1783-002-04D	2				
3-8							
3-9							
3-10							
3-11							
3-12							
3-13							
3-14							
3-15							
3-16							
3-17							
3-18							
3-19							
3-20							

