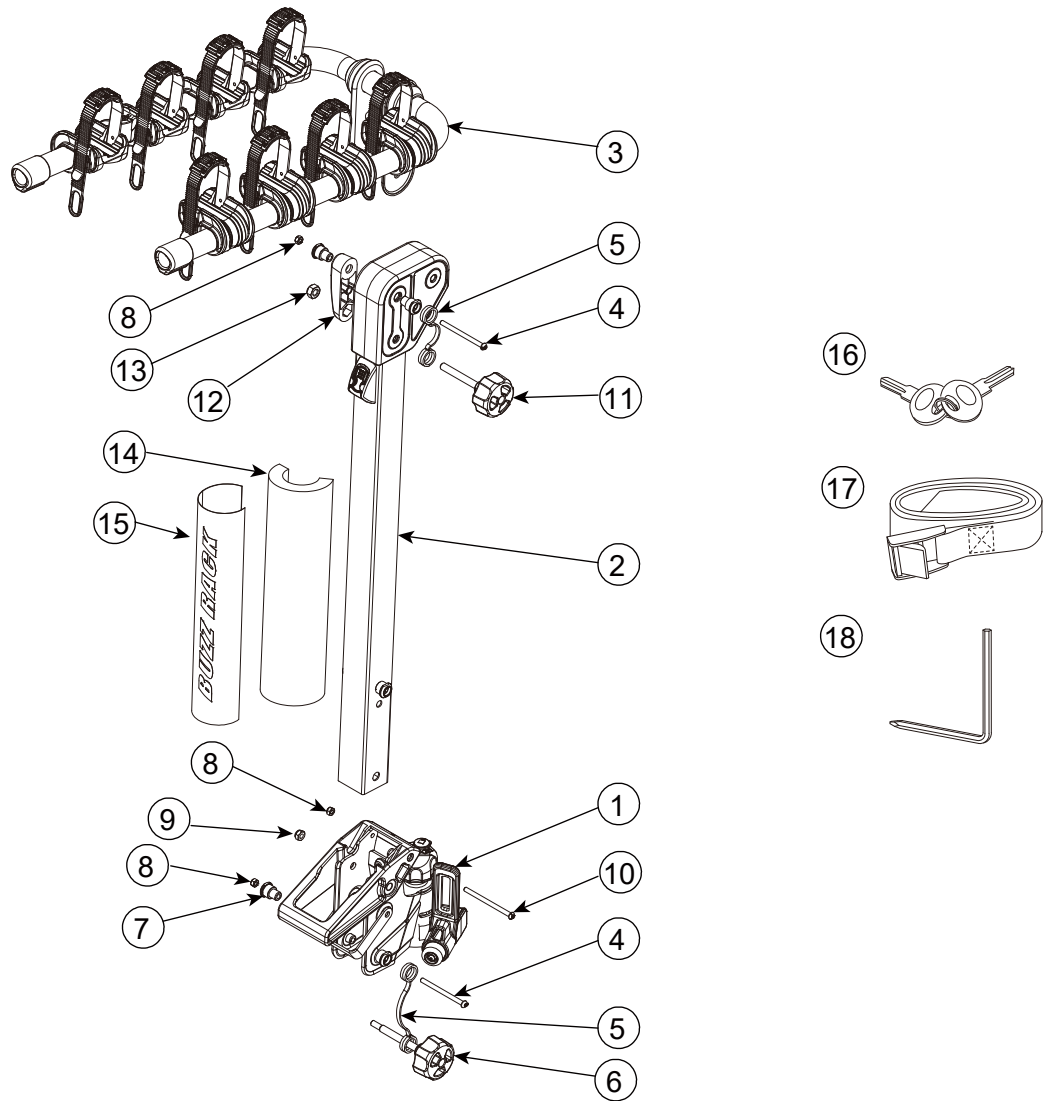
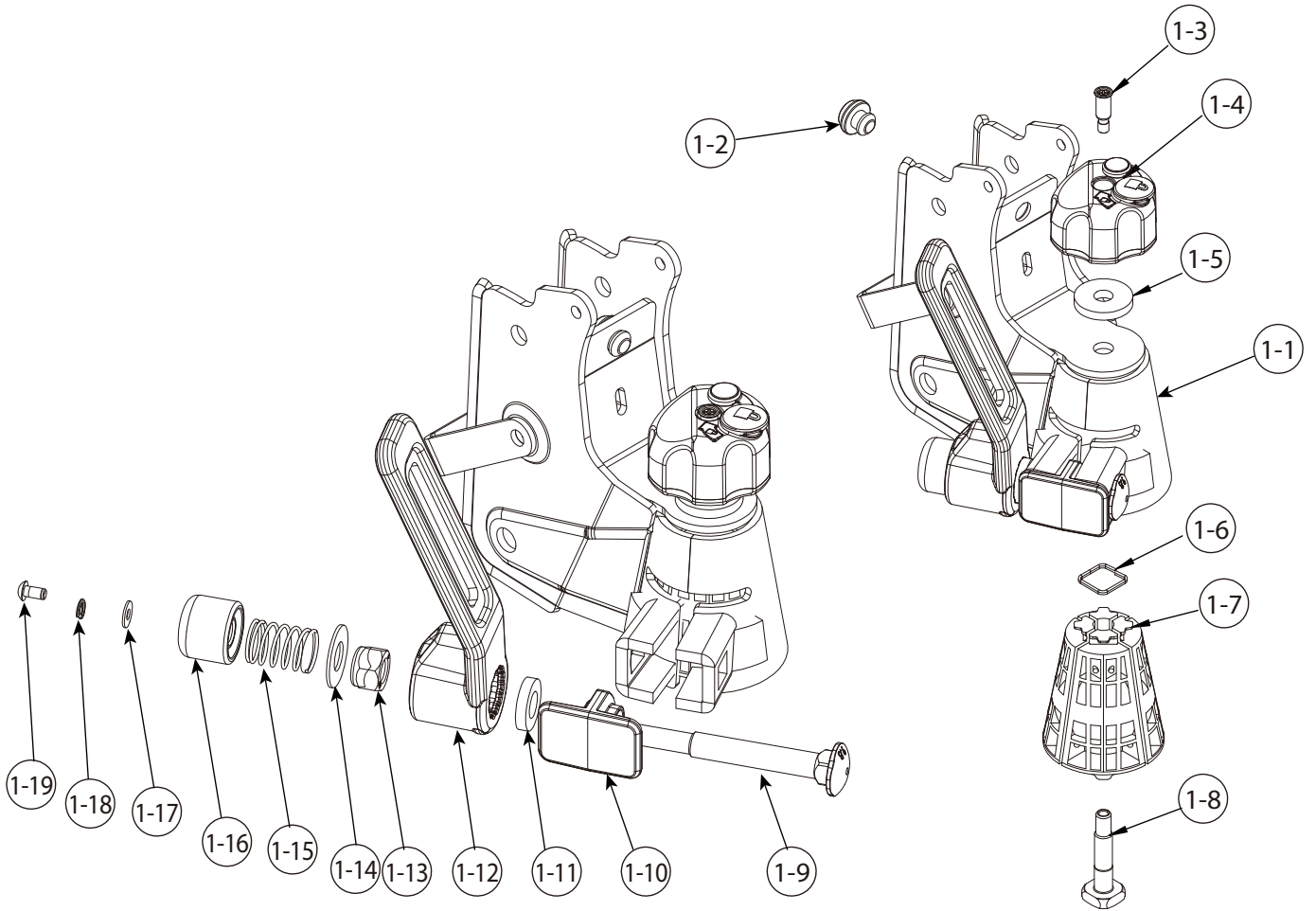


## SPARE PARTS



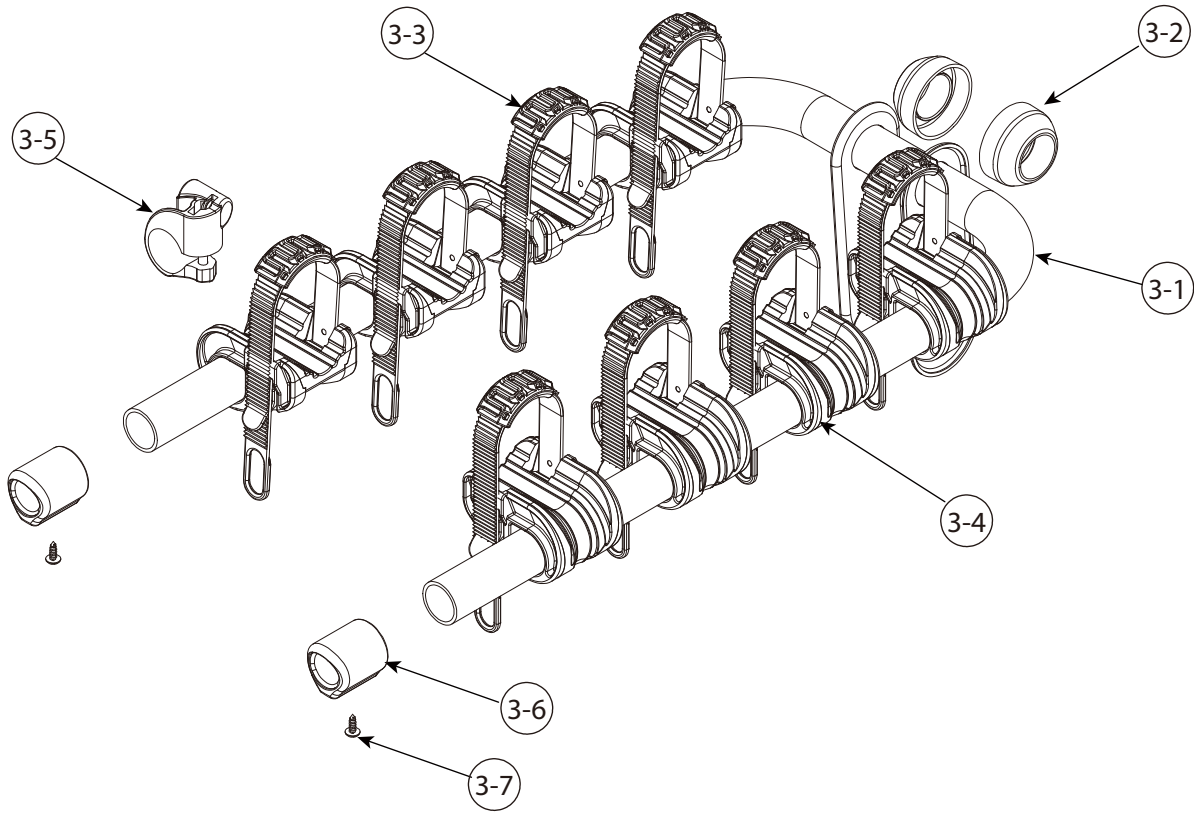
PART	DESCRIPTION	PART NUMBER	QTY.	PART	DESCRIPTION	PART NUMBER	QTY.
1	Foot assembly		1	16	Keys	147-01905-99D	1
2	Vertical tube assembly		1	17	Safety strap	3522-00197-03C	1
3	Top frame assembly		1	18	Allen key	144-00009-06D	1
4	Screw M6x82mm	140-1106-022-04D	2	19			
5	Knob strap	130-00473-16C	2	20			
6	Knob M8x92mm	3503-00100-16C	1	21			
7	Screw Cap	118-00093-04D	4	22			
8	Nylock nut M6	141-0106-001-04D	3	23			
9	Nylock nut M8	141-0108-001-04D	1	24			
10	Screw M6x90mm	140-1106-023-04D	1	25			
11	Knob M10x100.5mm	3503-00117-16C	1	26			
12	Nut cap	130-00485-01C	1	27			
13	Nylock nut M10	141-0110-001-04D	1	28			
14	PE foam pad	134-00021-01C	1	29			
15	Pad velcro protector	139-00022-16C	1	30			

## SPARE PARTS



PART	DESCRIPTION	PART NUMBER	QTY.	PART	DESCRIPTION	PART NUMBER	QTY.
1-1	Foot welding	3205-00147-44P	1				
1-2	Rubber pad	130-00818-01C	1				
1-3	Retainer	3509-00332-99C	1				
1-4	Locking kong M10	3503-00127-99C	1				
1-5	Washer Ø10.5xØ32	142-1105-003-04D	1				
1-6	Square spring	145-00055-13D	1				
1-7	Conical clamps	118-00146-00	4				
1-8	Square head bolt M10x50mm	140-0510-002-04D	1				
1-9	Carriage bolt M12x105mm	140-0112-008-04D	1				
1-10	Conic protector	130-00609-01C	1				
1-11	Washer Ø13xØ25	142-1130-005-04D	1				
1-12	Intergrated spanner	3209-00369-16C	1				
1-13	Nylock nut M12	141-0112-003-04D	1				
1-14	Washer Ø14.2xØ30	142-1141-001-04D	1				
1-15	Spring	145-00034-13D	1				
1-16	Bushing	130-00728-01C	1				
1-17	Washer Ø5.3xØ12.8	142-1053-001-04D	1				
1-18	Spring washer M5	142-2005-001-04D	1				
1-19	Button head screw M5x10mm	140-1105-004-04D	1				
1-20							

## SPARE PARTS



PART	DESCRIPTION	PART NUMBER	QTY.	PART	DESCRIPTION	PART NUMBER	QTY.
3-1	Arm tube welding	3203-00085-44P	1				
3-2	Cap	130-00465-01C	2				
3-3	Ratchet cradle completed(L)	3501-00038-96-16C	4				
3-4	Ratchet cradle completed(R)	3501-00038-97-16C	4				
3-5	Cable locking clip	3509-00246-01C	1				
3-6	End cap	130-00443-01C	2				
3-7	Screw Ø4.8x14mm	140-1783-002-04D	2				
3-8							
3-9							
3-10							
3-11							
3-12							
3-13							
3-14							
3-15							
3-16							
3-17							
3-18							
3-19							
3-20							

