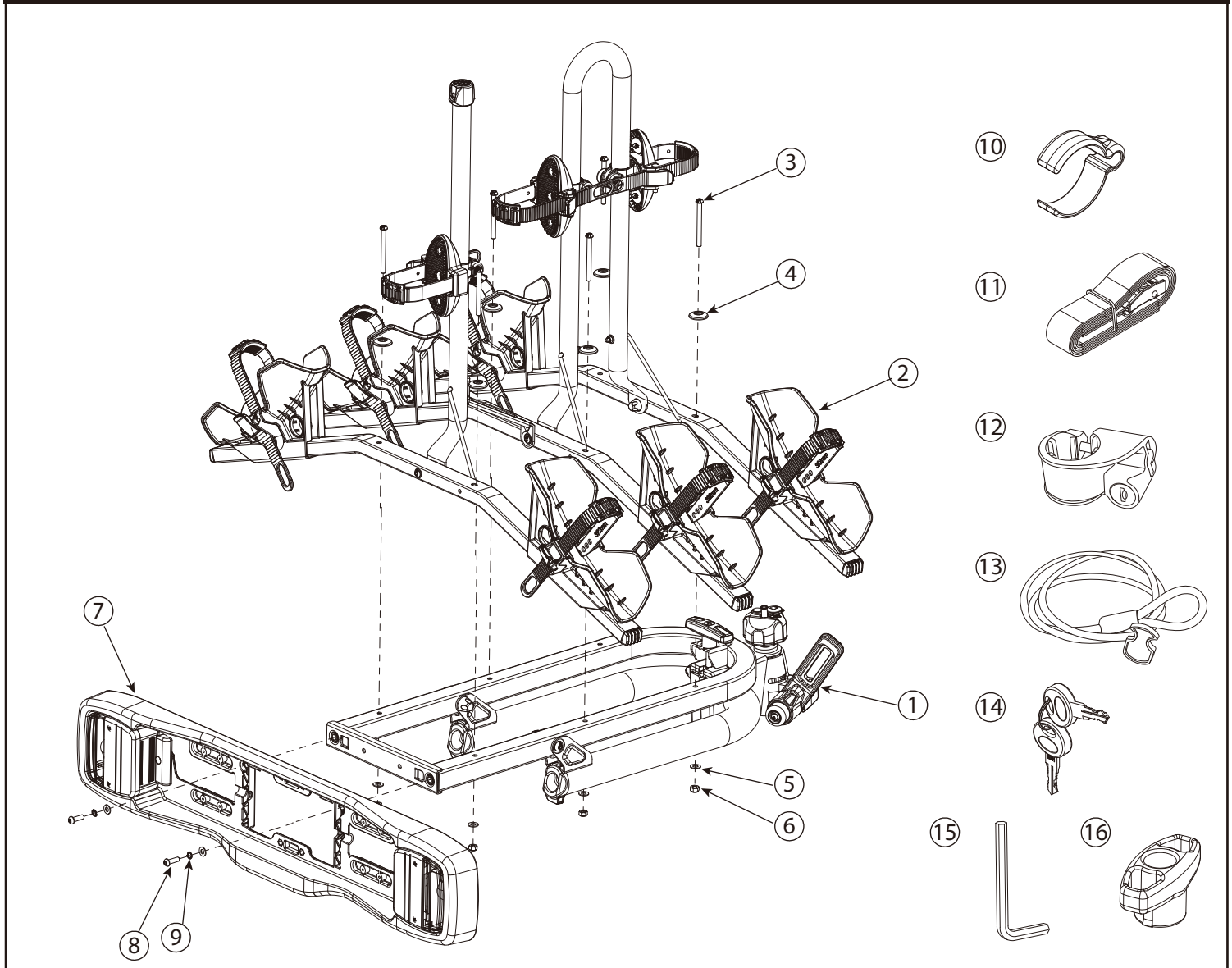
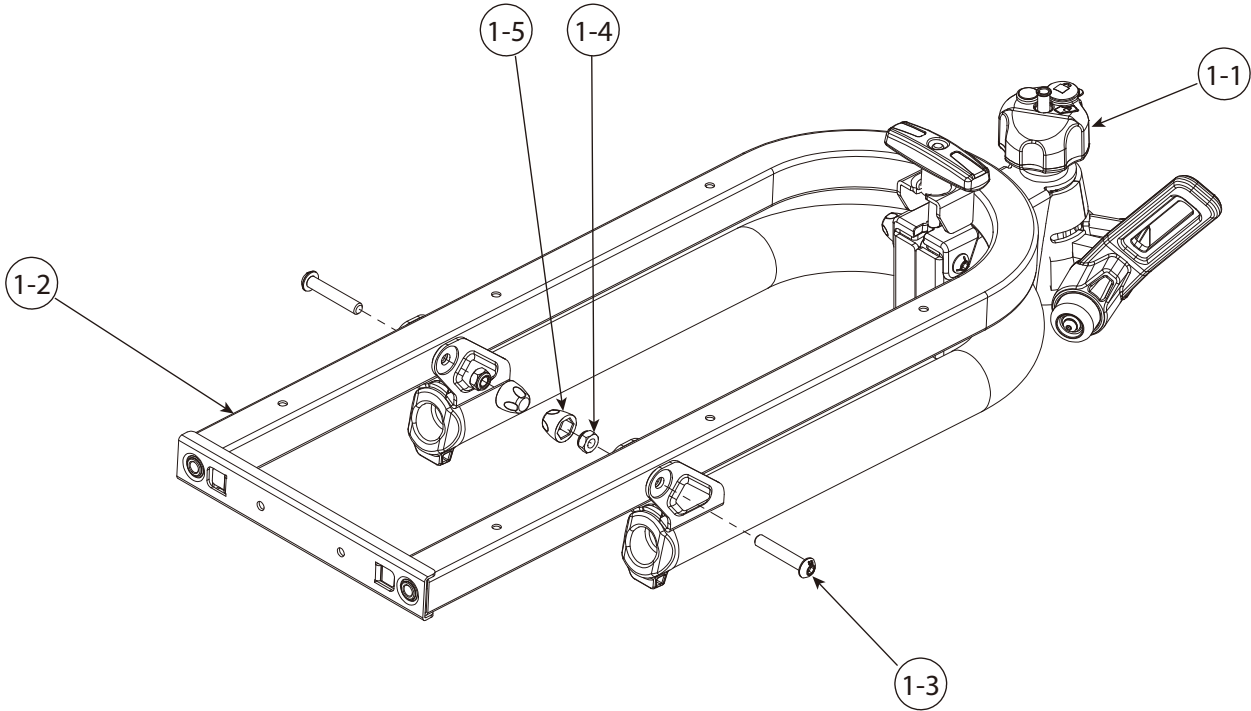


SPARE PARTS



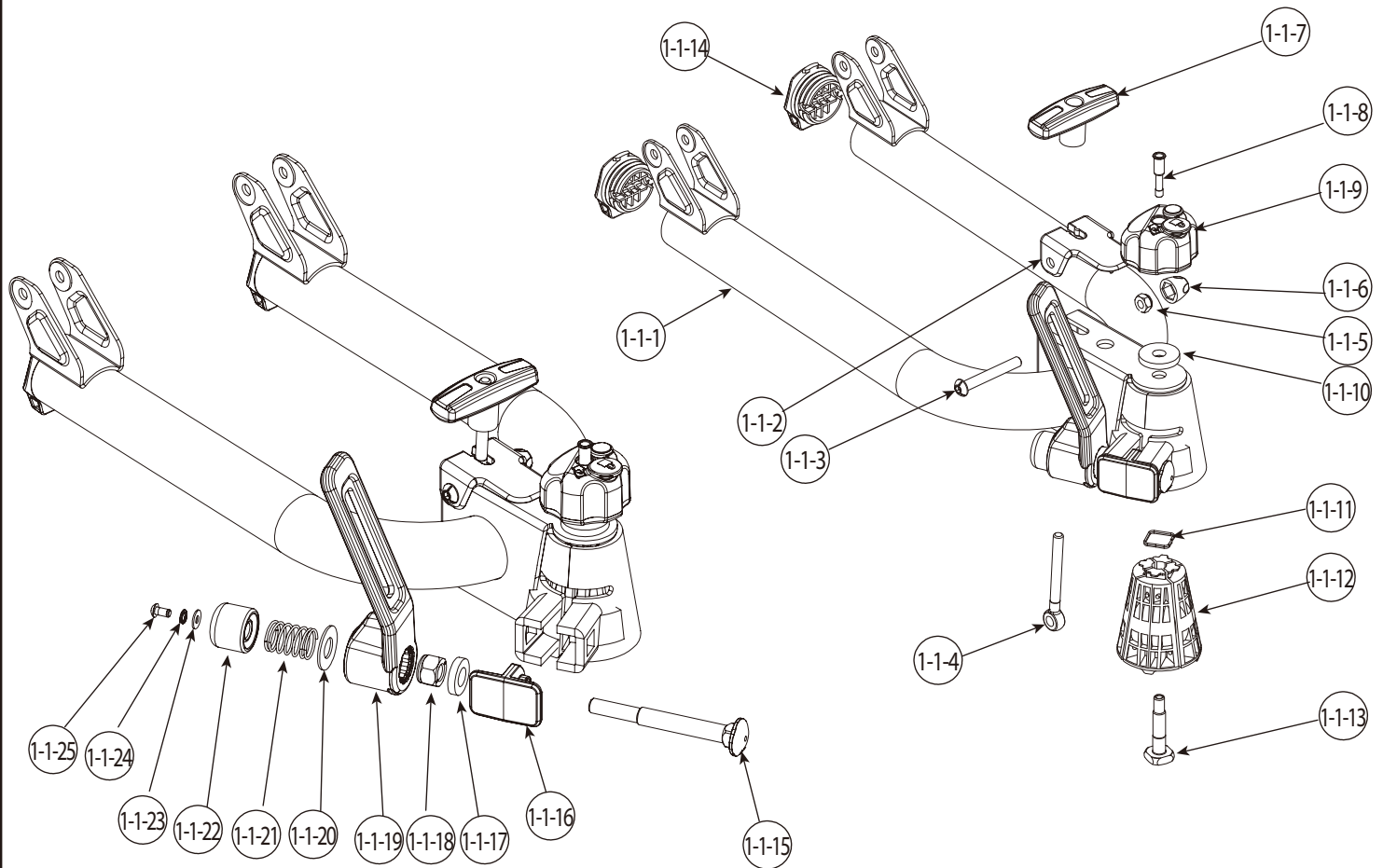
PART	DESCRIPTION	PART NUMBER	QTY.	PART	DESCRIPTION	PART NUMBER	QTY.
1	Foot assembly		1	16	T-wrench	132-00022-05C	1
2	Platform assembly		1	17			
3	Screw M6x65mm	140-1106-029-04D	6	18			
4	Plastic washer M6	130-00445-01C	6	19			
5	Washer Ø6.5xØ13	142-1065-003-04D	8	20			
6	Nylock nut M6	141-0106-001-04D	6	21			
7	Light assembly	3505-00037-99C	1	22			
8	Screw M6x25mm	140-1106-005-04D	2	23			
9	Spring washer M6	142-2006-001-04D	2	24			
10	C-cable clip 1.75"	130-00755-01C	1	25			
11	Safety strap	3522-00072-03C-01	1	26			
12	Clip 1.0"	3509-00245-16C	1	27			
13	Locking cable 1400mm	3510-00054-99C	1	28			
14	Key	147-01905-99D	2	29			
15	Allen key(5.0)	144-00004-06D	1	30			

SPARE PARTS



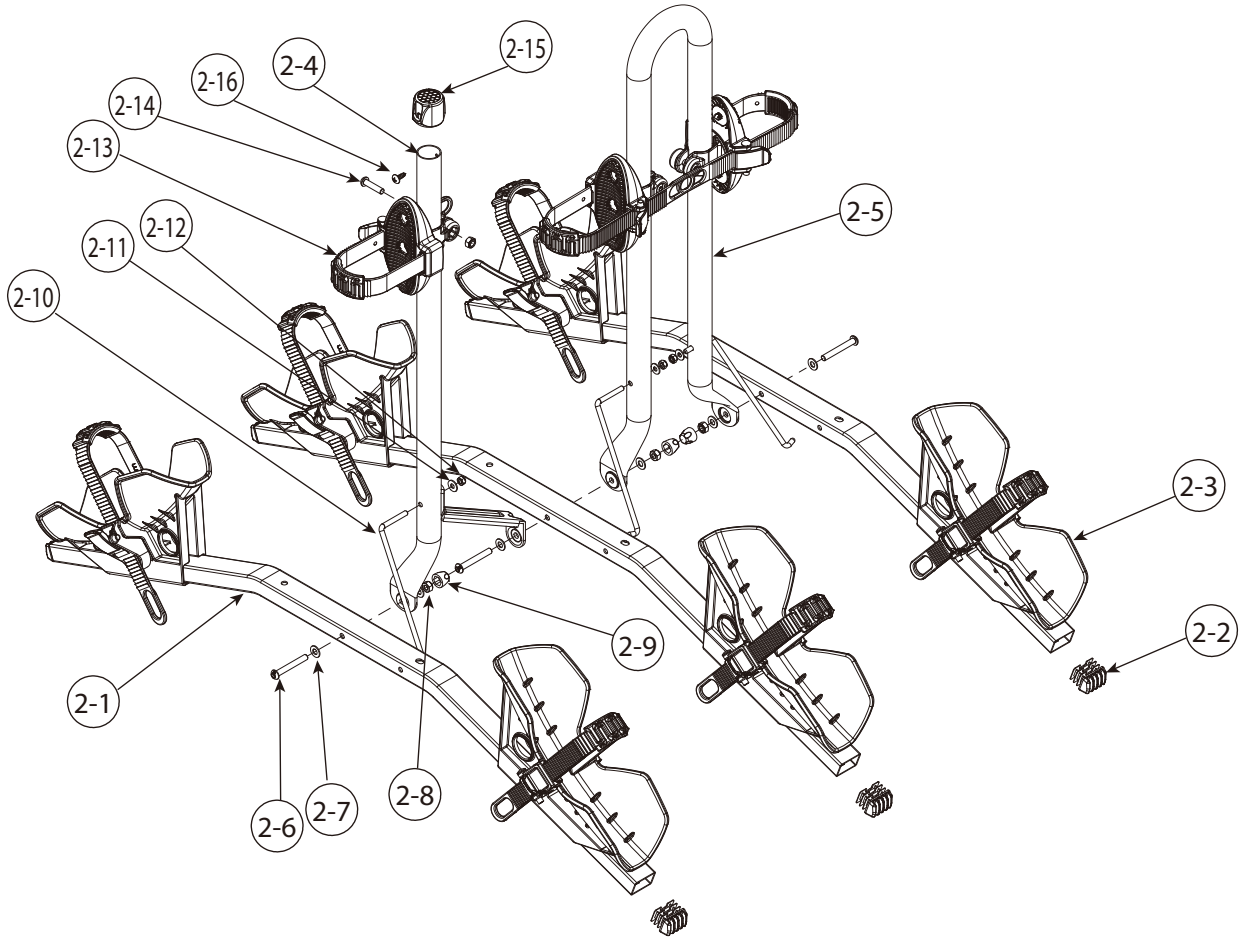
PART	DESCRIPTION	PART NUMBER	QTY.	PART	DESCRIPTION	PART NUMBER	QTY.
1-1	Foot assembly		1				
1-2	Welding assembly		1				
1-3	Screw M8x45mm	140-1108-016-04D	2				
1-4	Nylock nut M8	141-0108-001-04D	2				
1-5	Screw cap M8	130-00459-01C	2				
1-6							
1-7							
1-8							
1-9							
1-10							
1-11							
1-12							
1-13							
1-14							
1-15							
1-16							
1-17							
1-18							
1-19							
1-20							

SPARE PARTS



PART	DESCRIPTION	PART NUMBER	QTY.	PART	DESCRIPTION	PART NUMBER	QTY.
1-1-1	Welding assembly	3205-00187-04P	1	1-1-21	Spring	145-00034-13D	1
1-1-2	Plastic cap	130-00789-16C	1	1-1-22	Bushing	130-00728-01C	1
1-1-3	Screw M8x60mm	140-1108-012-04D	1	1-1-23	Washer Ø5.3xØ12.8	142-1053-001-04D	1
1-1-4	Eye-bolt M8x62mm	140-2008-001-04D	1	1-1-24	Spring washer M5	142-2005-001-04D	1
1-1-5	Nylock nut M8	141-0108-001-04D	1	1-1-25	Screw M5x10mm	140-1105-004-04D	1
1-1-6	Screw cap M8	130-00459-01C	1				
1-1-7	T-knob	3503-00126-16C	1				
1-1-8	Retainer	3509-00332-99C	1				
1-1-9	Locking knob M10	3503-00127-99C	1				
1-1-10	Washer Ø10.5xØ32	142-1105-003-04D	1				
1-1-11	Square spring	145-00055-13D	1				
1-1-12	Conical clamps	118-00146-00	4				
1-1-13	Square head bolt M10x50mm	140-0510-002-04D	1				
1-1-14	End cap	130-00705-01C	2				
1-1-15	Carriage bolt M12x105mm	140-0112-008-04D	1				
1-1-16	Conic protector	130-00609-01C	1				
1-1-17	Washer Ø13xØ25	142-1130-005-04D	1				
1-1-18	Nylock nut M12	141-0112-003-04D	1				
1-1-19	Intergrated spanner	3209-00369-16C	1				
1-1-20	Washer Ø14.2xØ30	142-1141-001-04D	1				

SPARE PARTS



PART	DESCRIPTION	PART NUMBER	QTY.	PART	DESCRIPTION	PART NUMBER	QTY.
2-1	Wheel support tube	3202-00123-44P	3				
2-2	End cap	130-00340-01C	6				
2-3	Wheel support assembly		6				
2-4	Vertical tube	3203-00122-04P	1				
2-5	U tube	3201-00401-03P	1				
2-6	Screw M6x45mm	140-1106-038-04D	3				
2-7	Washer Ø6.5xØ13	142-1065-003-04D	6				
2-8	Nylock nut M6	141-0106-001-04D	6				
2-9	Screw cap M6	130-00458-01C	3				
2-10	Adjustment rod	3209-00278-04D	3				
2-11	Washer Ø5xØ12	142-1050-001-04D	3				
2-12	Nylock nut M5	141-0105-001-04D	3				
2-13	Rotate cradle assembly	3509-00326-16C	3				
2-14	Screw M6x25mm	140-1106-005-04D	3				
2-15	End cap	130-00681-01C	1				
2-16	Screw Ø4.8x14	140-1783-002-04D	1				
2-17							
2-18							
2-19							
2-20							

