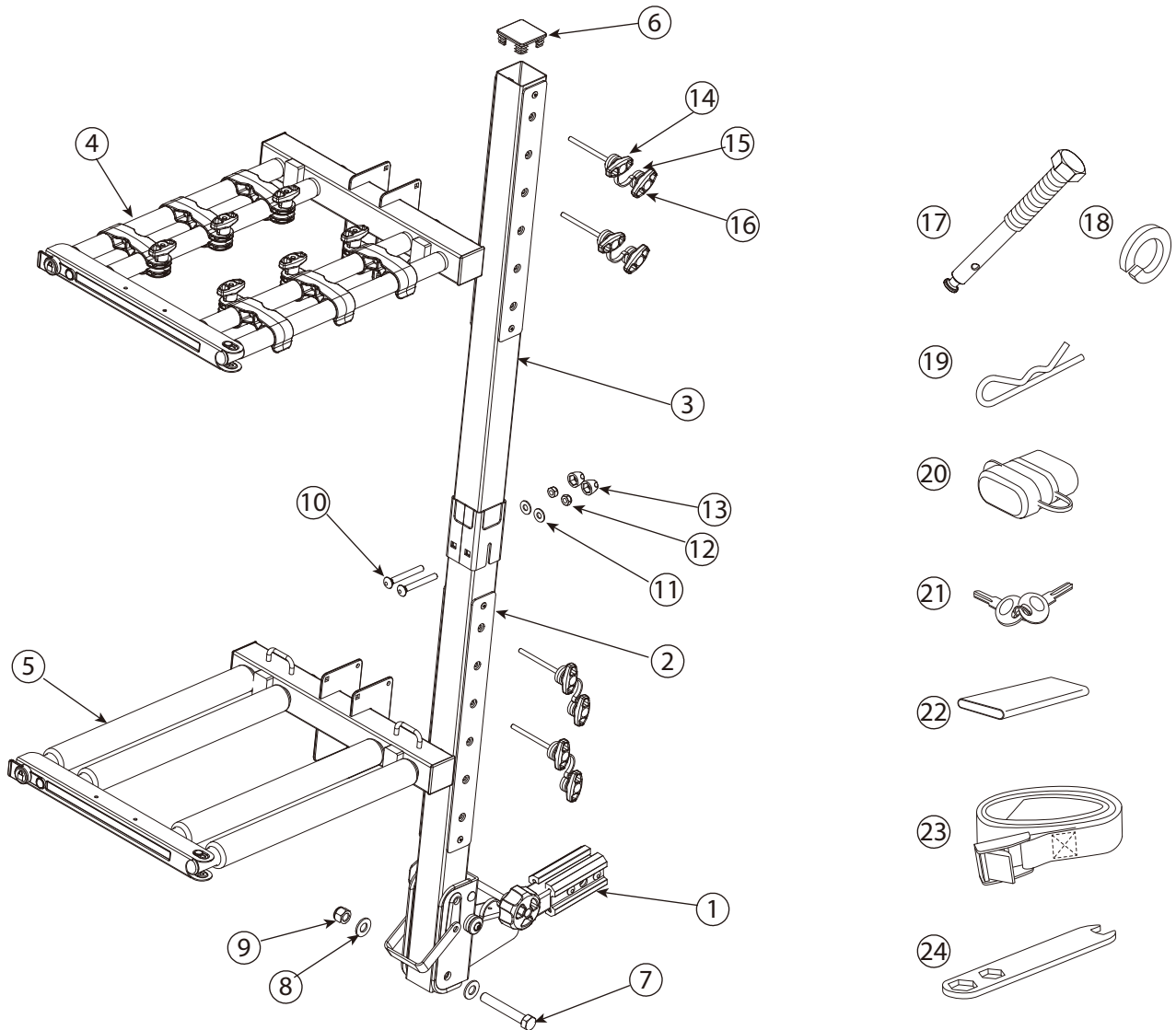
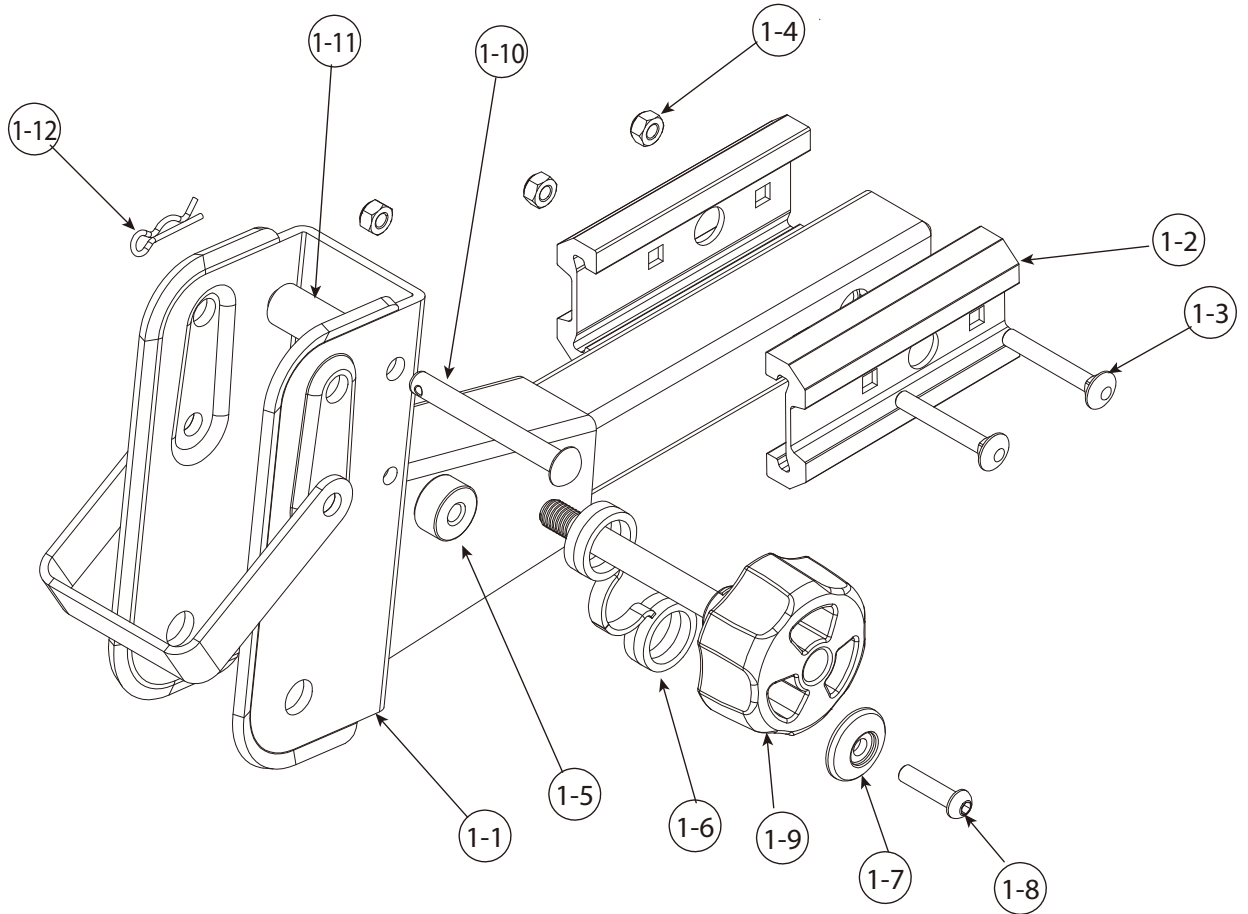


SPARE PARTS



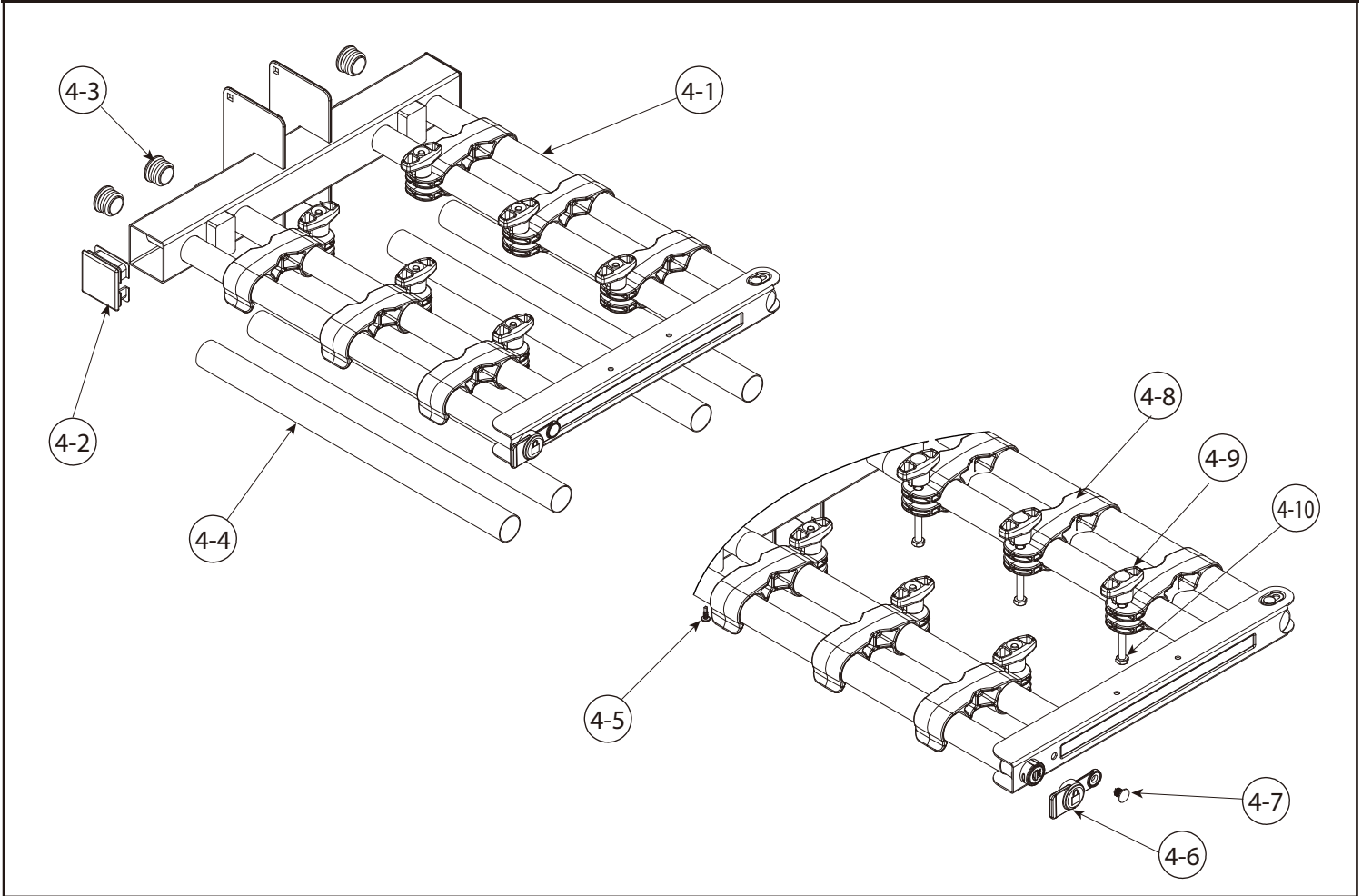
PART	DESCRIPTION	PART NUMBER	QTY.	PART	DESCRIPTION	PART NUMBER	QTY.
1	Foot assembly		1	16	T-knob M6	3509-00319-16C	4
2	Lower tube assembly		1	17	Hex bolt 1/2"-13unc x118mm	140-0440-008-04D	1
3	Upper tube assembly		1	18	Spring washer Ø1/2"	142-2045-001-04D	1
4	Upper tray assembly		1	19	R-pin Ø3.0x65mm	143-00003-04D	1
5	Lower tray assembly		1	20	Hitch lock	3509-00301-16C	1
6	Square end cap	130-00852-01C	1	21	Key	147-01905-99D	2
7	Hex bolt 1/2"-13unc x3.25"	140-0340-004-04D	1	22	Plastic pad	130-00788-01C	4
8	Washer Ø13.5xØ27	142-1135-003-04D	3	23	Safety strap	3522-00274-03C	3
9	Nylock nut 1/2"-13unc	141-0140-001-04D	1	24	Wrench	3344-00007-00P	1
10	Carriage bolt M8x65mm	141-0108-001-04D	2	25			
11	Washer Ø8.5xØ19	142-1085-003-04D	2	26			
12	Nylonk nut M8	140-0108-013-04D	2	27			
13	Screw cap M8	130-00459-01C	2	28			
14	Knob with Hex bolt M6x85mm	3509-00223-16C	4	29			
15	Knob strap	130-00473-16C	4	30			

SPARE PARTS



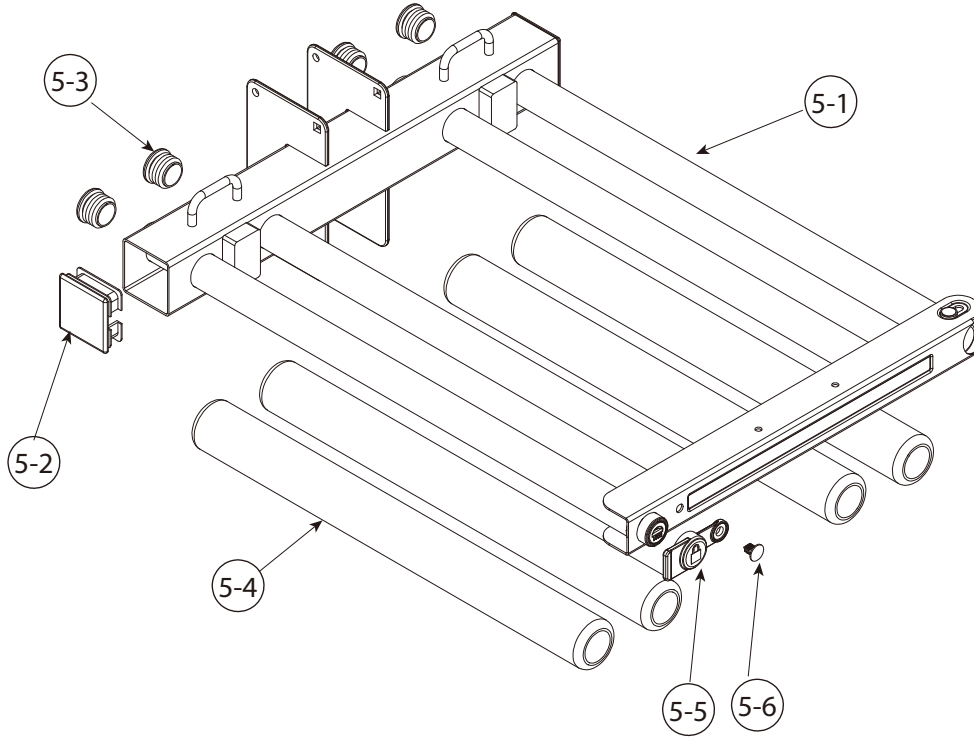
PART	DESCRIPTION	PART NUMBER	QTY.	PART	DESCRIPTION	PART NUMBER	QTY.
1-1	Foot welding		1				
1-2	Adapter	3209-00356-00P	2				
1-3	Carriage bolt M6 x 43mm	140-0106-016-04D	2				
1-4	Nylock nut M6	141-0106-001-04D	3				
1-5	Plastic pad	130-00154-01C	1				
1-6	Knob strap	130-00473-16C	1				
1-7	Plastic washer	130-00445-01C	1				
1-8	Screw M6x25mm	140-1106-005-04D	1				
1-9	Knob M10	3503-00096-16C	1				
1-10	Pin	143-00012-04D	1				
1-11	Rubber tube	131-00025-01C	1				
1-12	R-Pin	143-00013-04D	1				
1-13							
1-14							
1-15							
1-16							
1-17							
1-18							
1-19							
1-20							

SPARE PARTS



PART	DESCRIPTION	PART NUMBER	QTY.	PART	DESCRIPTION	PART NUMBER	QTY.
4-1	Upper tray assembly		1				
4-2	Square cap	130-00157-01C	2				
4-3	End cap Ø1"	130-00030-01C	4				
4-4	PVC sleeve	131-00042-01C	4				
4-5	Screw #8x1/2"	140-2699-001-04D	4				
4-6	Lock cover	130-00825-01C	1				
4-7	Plastic pin	130-00653-01C	1				
4-8	Holding clip	130-00694-16C	6				
4-9	T-knob M6	3509-00319-16C	6				
4-10	Hex bolt M6x40mm	140-0306-038-04D	6				
4-11							
4-12							
4-13							
4-14							
4-15							
4-16							
4-17							
4-18							
4-19							
4-20							

SPARE PARTS



PART	DESCRIPTION	PART NUMBER	QTY.	PART	DESCRIPTION	PART NUMBER	QTY.
5-1	Lower tray assembly		1				
5-2	Square cap	130-00157-01C	2				
5-3	End cap Ø1"	130-00030-01C	4				
5-4	Rubber foam	134-00093-01C	4				
5-5	Lock cover	130-00825-01C	1				
5-6	Plastic pin	130-00653-01C	1				
5-7							
5-8							
5-9							
5-10							
5-11							
5-12							
5-13							
5-14							
5-15							
5-16							
5-17							
5-18							
5-19							
5-20							