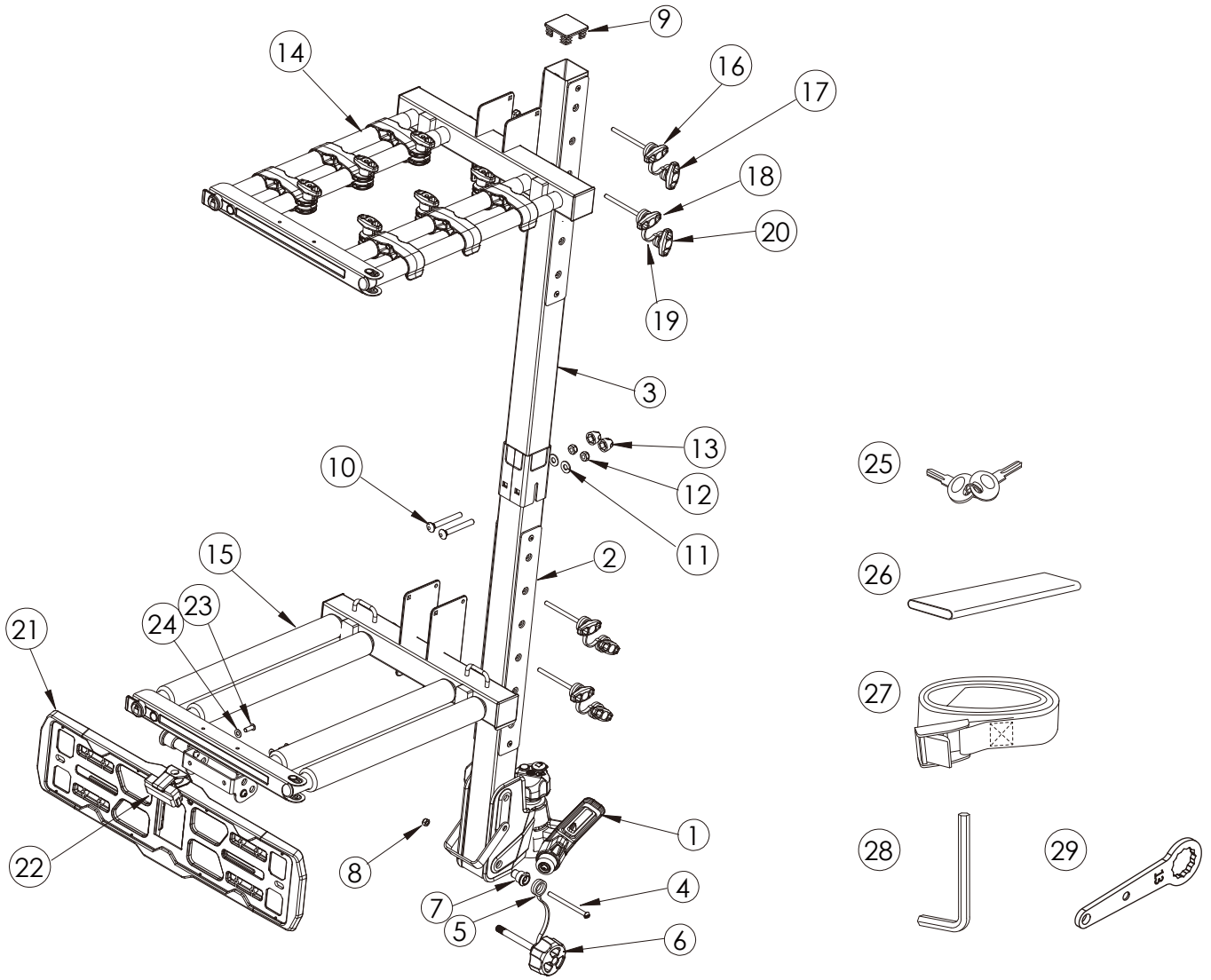
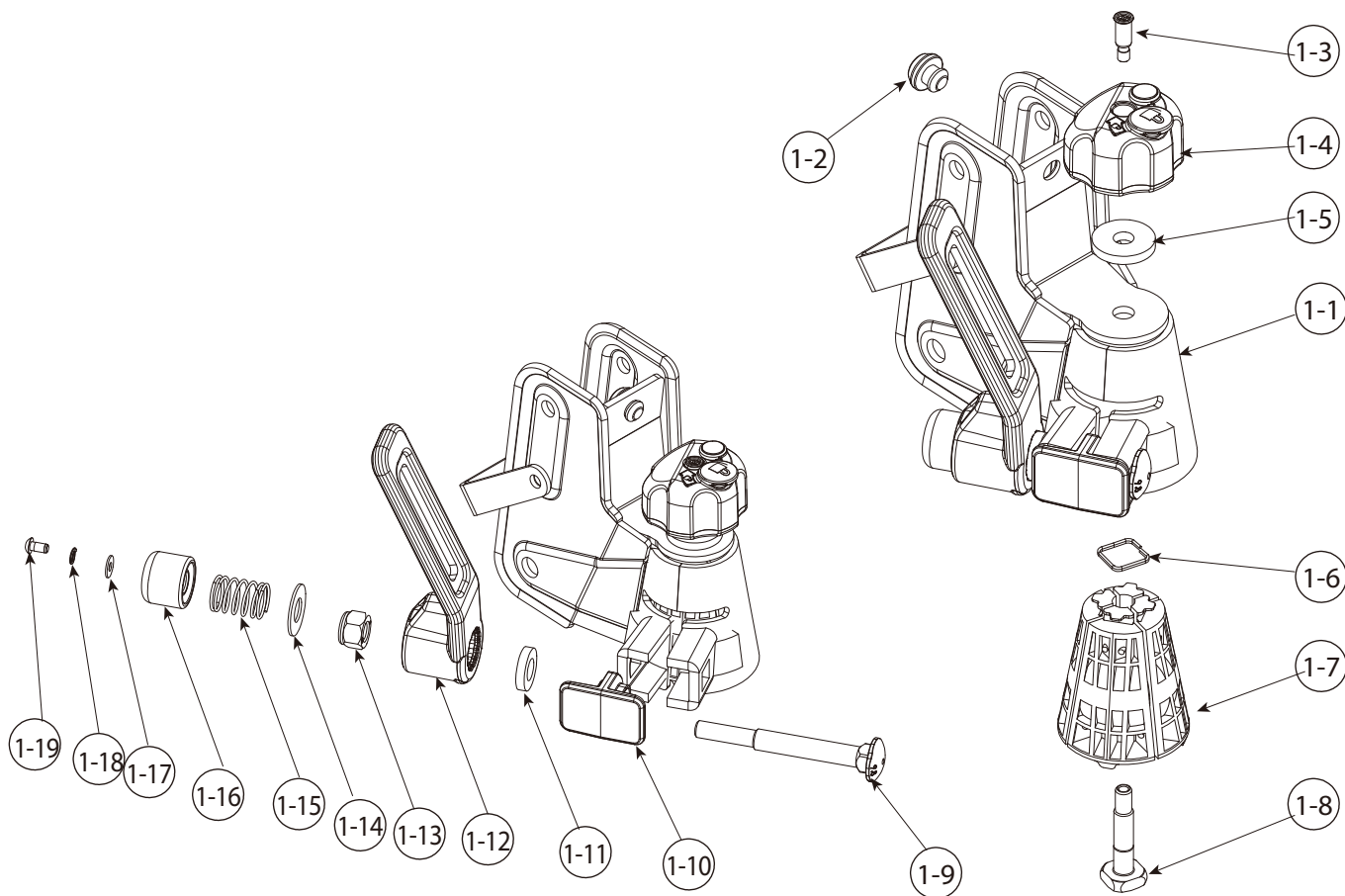


## SPARE PARTS



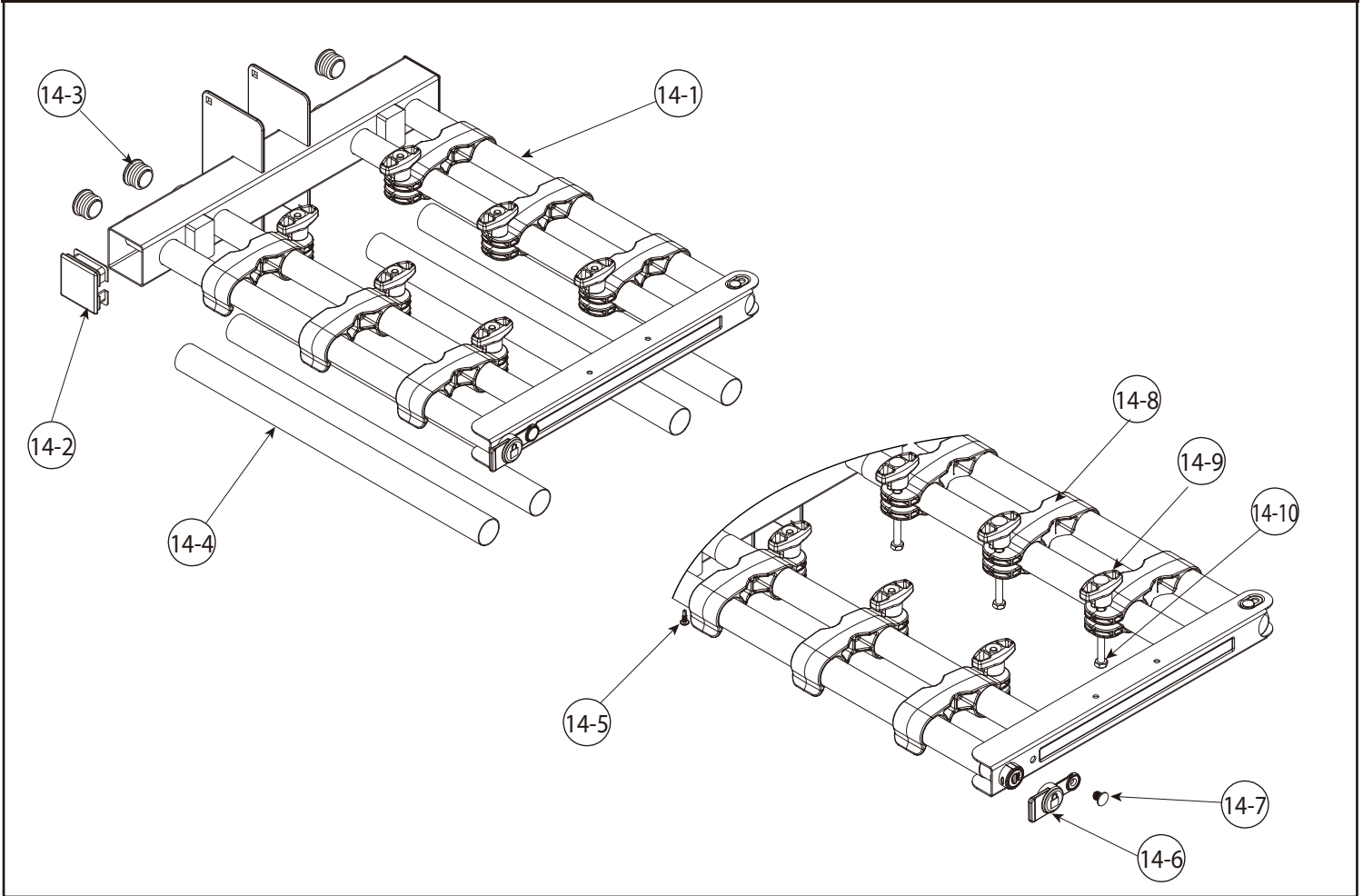
PART	DESCRIPTION	PART NUMBER	QTY.	PART	DESCRIPTION	PART NUMBER	QTY.
1	Foot assembly		1	16	Knob with Hex bolt M6x85mm(gray)	3509-00223-16C	2
2	Lower tube assembly		1	17	T-knob M6 (gray)	3509-00319-16C	2
3	Upper tube assembly		1	18	Knob with Hex bolt M6x85mm(black)	3509-00223-01C	2
4	Screw M6x82mm	140-1106-022-04D	1	19	Knob strap (black)	130-00473-01C	2
5	Knob strap (gray)	130-00473-16C	3	20	T-knob M6 (black)	3509-00319-01C	2
6	Knob M10x108.5mm	3503-00096-16C	1	21	License plate holder	3509-00388-01C	1
7	Screw cap	118-00093-04D	2	22	Light kit	139-00255-01C	1
8	Nylock nut M6	141-0106-001-04D	1	23	Screw M6x16mm	140-1106-031-04D	2
9	Square cap	130-00852-01C	1	24	Washer Ø6.5xØ13	142-1065-003-04D	2
10	Carriage bolt M8x65mm	140-0108-013-04D	2	25	Key	147-01905-99D	2
11	Washer Ø8.5xØ19	142-1085-003-04D	2	26	Plastic pad	130-00788-01C	1
12	Nylock nut M8	141-0108-001-04D	2	27	Safety strap	3522-00274-03C	3
13	Screw cap M8	130-00459-01C	2	28	Allen key	144-00004-06D	1
14	Upper tray assembly		1	29	Wrench	3344-00013-06D	1
15	Lower tray assembly		1	30			

## SPARE PARTS



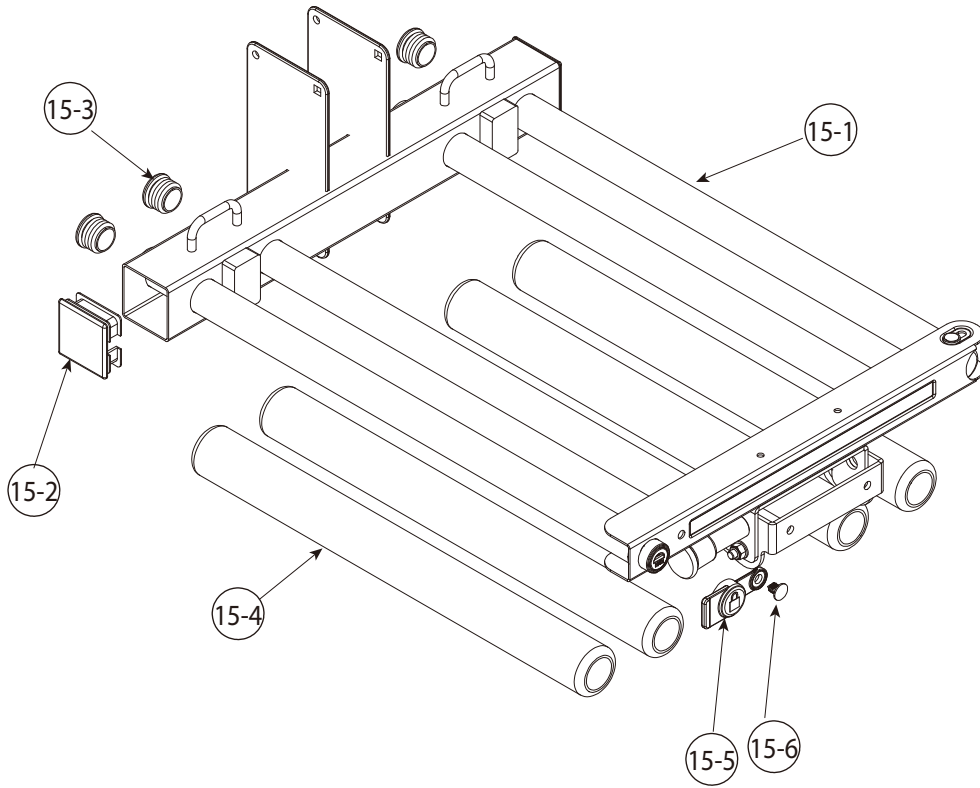
PART	DESCRIPTION	PART NUMBER	QTY.	PART	DESCRIPTION	PART NUMBER	QTY.
1-1	Welding assembly		1				
1-2	Rubber plug	130-00818-01C	1				
1-3	Retainer	3509-00332-99C	1				
1-4	Locking knob M10	3503-00127-99C	1				
1-5	Washer Ø10.5xØ32	142-1105-003-04D	1				
1-6	Square spring	145-00055-13D	1				
1-7	Conical clamps	118-00146-00	4				
1-8	Square head bolt M10x50mm	140-0510-002-04D	1				
1-9	Carriage bolt M12x105mm	140-0112-008-04D	1				
1-10	Conic protector	130-00609-01C	1				
1-11	Washer Ø13xØ25	142-1130-005-04D	1				
1-12	Integrated spanner	3209-00369-16C	1				
1-13	Nylock nut M12	141-0112-003-04D	1				
1-14	Washer Ø14.2xØ30	142-1141-001-04D	1				
1-15	Spring	145-00034-13D	1				
1-16	Bushing	130-00728-01C	1				
1-17	Washer Ø5.3xØ12.8	142-1053-001-04D	1				
1-18	Spring washer M5	142-2005-001-04D	1				
1-19	Button head screw M5x10mm	140-1105-004-04D	1				
1-20							

## SPARE PARTS



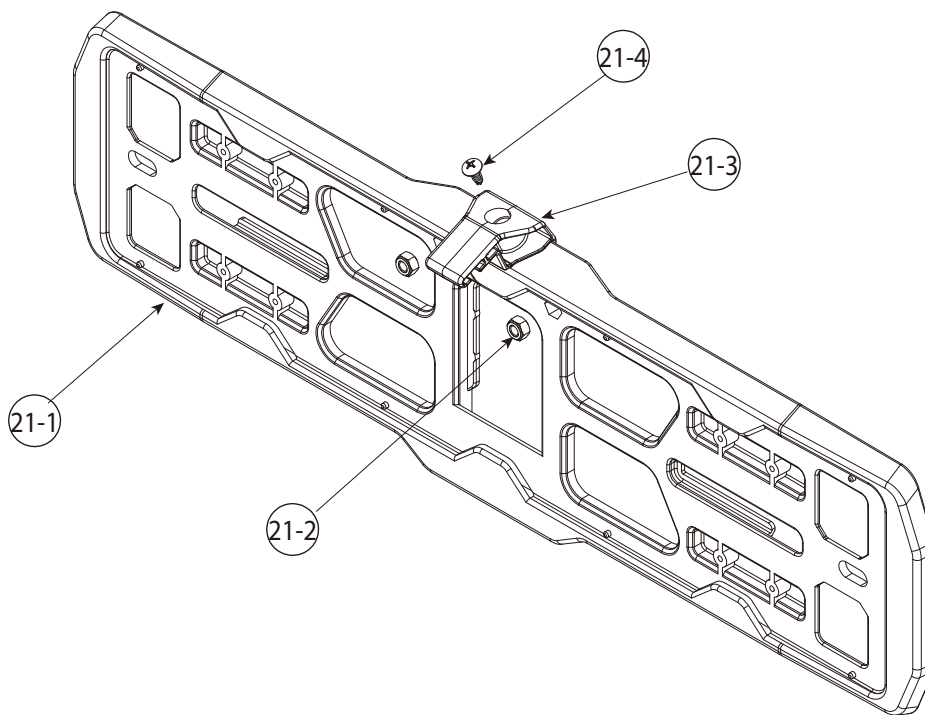
PART	DESCRIPTION	PART NUMBER	QTY.	PART	DESCRIPTION	PART NUMBER	QTY.
14-1	Upper tray assembly		1				
14-2	Square cap	130-00157-01C	2				
14-3	End cap Ø1"	130-00030-01C	4				
14-4	PVC sleeve	131-00042-01C	4				
14-5	Screw #8x1/2"	140-2699-001-04D	4				
14-6	Lock cover	130-00825-01C	1				
14-7	Plastic pin	130-00653-01C	1				
14-8	Holding clip	130-00694-16C	6				
14-9	T-knob M6	3509-00319-16C	6				
14-10	Hex bolt M6x40mm	140-0306-038-04D	6				
14-11							
14-12							
14-13							
14-14							
14-15							
14-16							
14-17							
14-18							
14-19							
14-20							

## SPARE PARTS



PART	DESCRIPTION	PART NUMBER	QTY.	PART	DESCRIPTION	PART NUMBER	QTY.
15-1	Lower tray assembly		1				
15-2	Square cap	130-00157-01C	2				
15-3	End cap Ø1"	130-00030-01C	4				
15-4	Rubber foam	134-00093-01C	4				
15-5	Lock cover	130-00825-01C	1				
15-6	Plastic pin	130-00653-01C	1				
15-7							
15-8							
15-9							
15-10							
15-11							
15-12							
15-13							
15-14							
15-15							
15-16							
15-17							
15-18							
15-19							
15-20							

## SPARE PARTS



PART	DESCRIPTION	PART NUMBER	QTY.	PART	DESCRIPTION	PART NUMBER	QTY.
21-1	License plate holder	130-00575-01C	1				
21-2	Nylock nut M6	141-0106-001-04D	2				
21-3	Light kit bracket	130-00885-01C	1				
21-4	Screw Ø4.8x14	140-1783-002-04D	1				
21-5							
21-6							
21-7							
21-8							
21-9							
21-10							
21-11							
21-12							
21-13							
21-14							
21-15							
21-16							
21-17							
21-18							
21-19							
21-20							