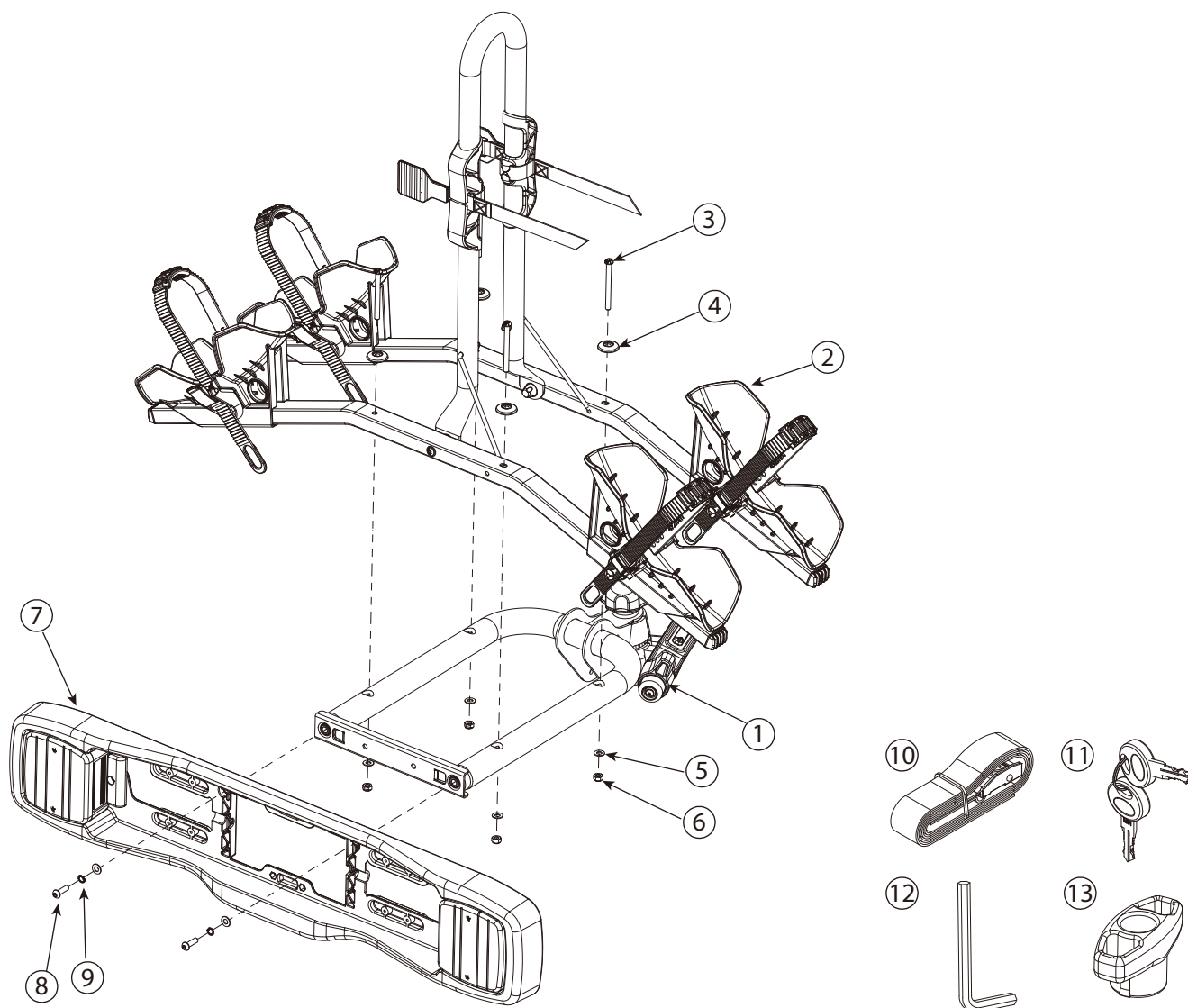
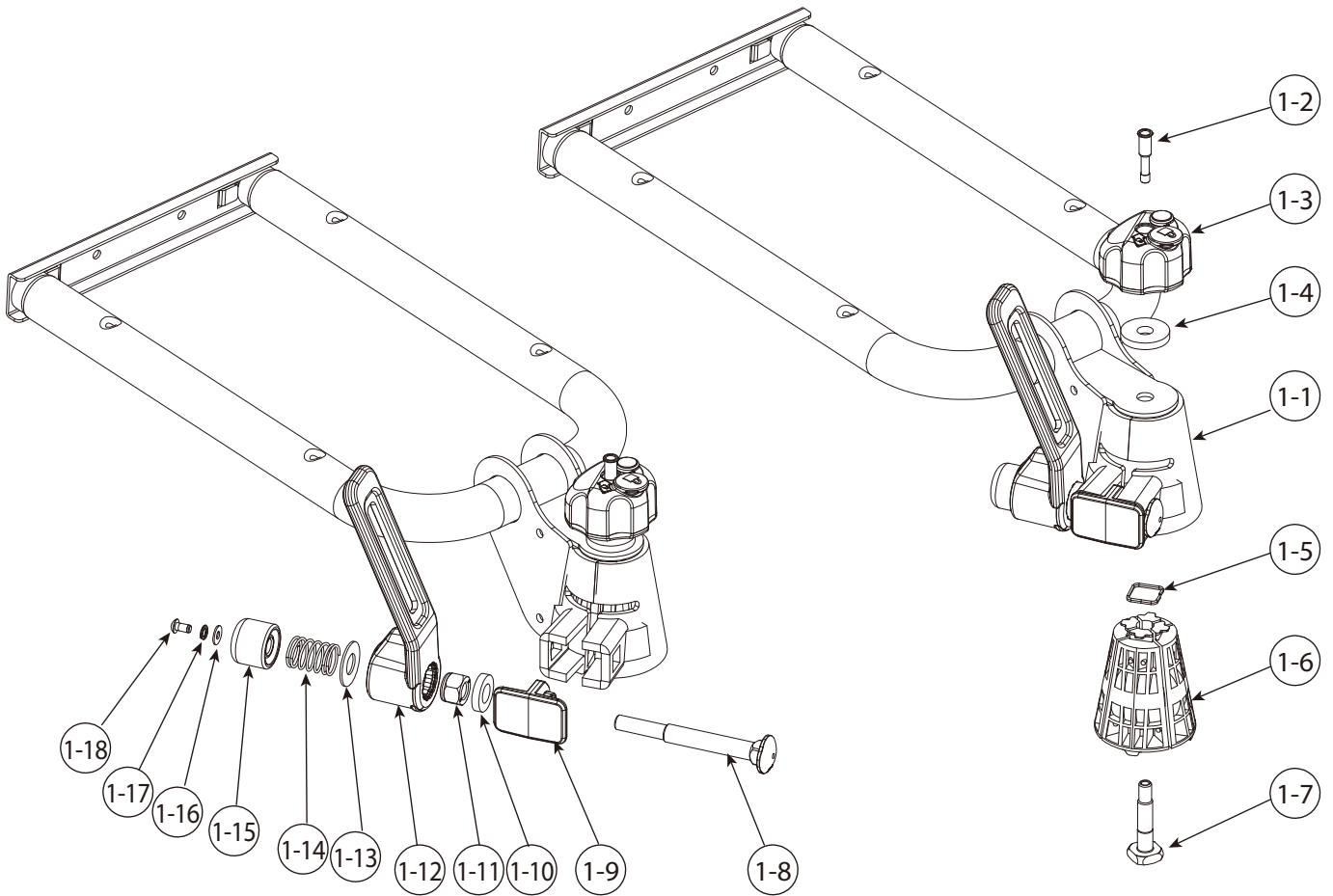


## SPARE PARTS



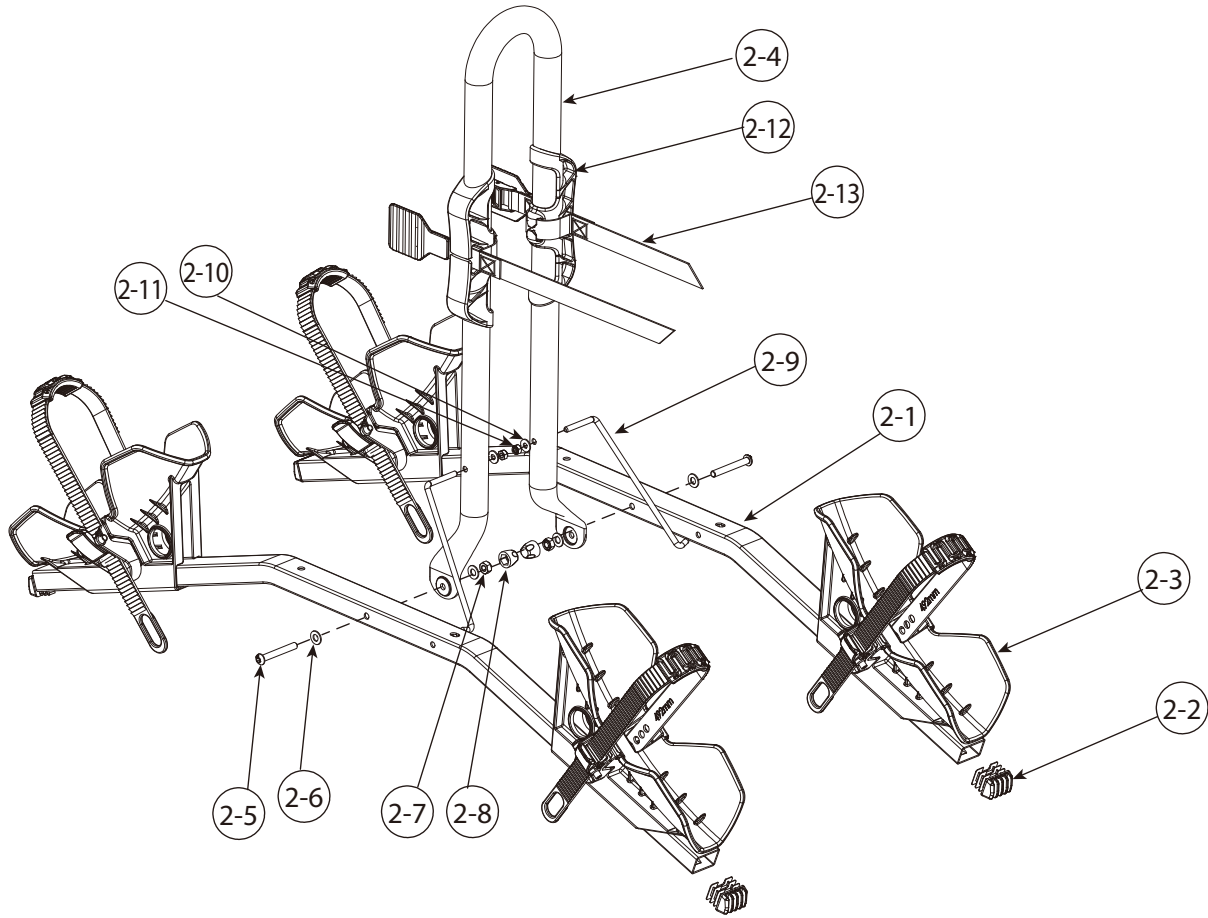
PART	DESCRIPTION	PART NUMBER	QTY.	PART	DESCRIPTION	PART NUMBER	QTY.
1	Foot assembly		1	16			
2	Platform assembly		1	17			
3	Screw M6x65mm	140-1106-029-04D	4	18			
4	Plastic washer M6	130-00445-01C	4	19			
5	Washer Ø6.5xØ13	142-1065-003-04D	6	20			
6	Nylock nut M6	141-0106-001-04D	4	21			
7	Light assembly	3505-00037-99C	1	22			
8	Screw M6x25mm	140-1106-005-04D	2	23			
9	Spring washer M6	142-2006-001-04D	2	24			
10	Safety strap	3522-00072-03C-01	1	25			
11	Key	147-01905-99D	2	26			
12	Allen key(5.0)	144-00004-06D	1	27			
13	T-wrench	132-00022-05C	1	28			
14				29			
15				30			

## SPARE PARTS



PART	DESCRIPTION	PART NUMBER	QTY.	PART	DESCRIPTION	PART NUMBER	QTY.
1-1	Welding assembly	3205-00188-04P	1				
1-2	Retainer	3509-00332-99C	1				
1-3	Locking knob M10	3503-00127-99C	1				
1-4	Washer Ø10.5xØ32	142-1105-003-04D	1				
1-5	Square spring	145-00055-13D	1				
1-6	Conical clamps	118-00146-00	4				
1-7	Square head bolt M10x50mm	140-0510-002-04D	1				
1-8	Carriage bolt M12x105mm	140-0112-008-04D	1				
1-9	Conic protector	130-00609-01C	1				
1-10	Washer Ø13xØ25	142-1130-005-04D	1				
1-11	Nylock nut M12	141-0112-003-04D	1				
1-12	Intergrated spanner	3209-00369-16C	1				
1-13	Washer Ø14.2xØ30	142-1141-001-04D	1				
1-14	Spring	145-00034-13D	1				
1-15	Bushing	130-00728-01C	1				
1-16	Washer Ø5.3xØ12.8	142-1053-001-04D	1				
1-17	Spring washer M5	142-2005-001-04D	1				
1-18	Screw M5x10mm	140-1105-004-04D	1				
1-19							
1-20							

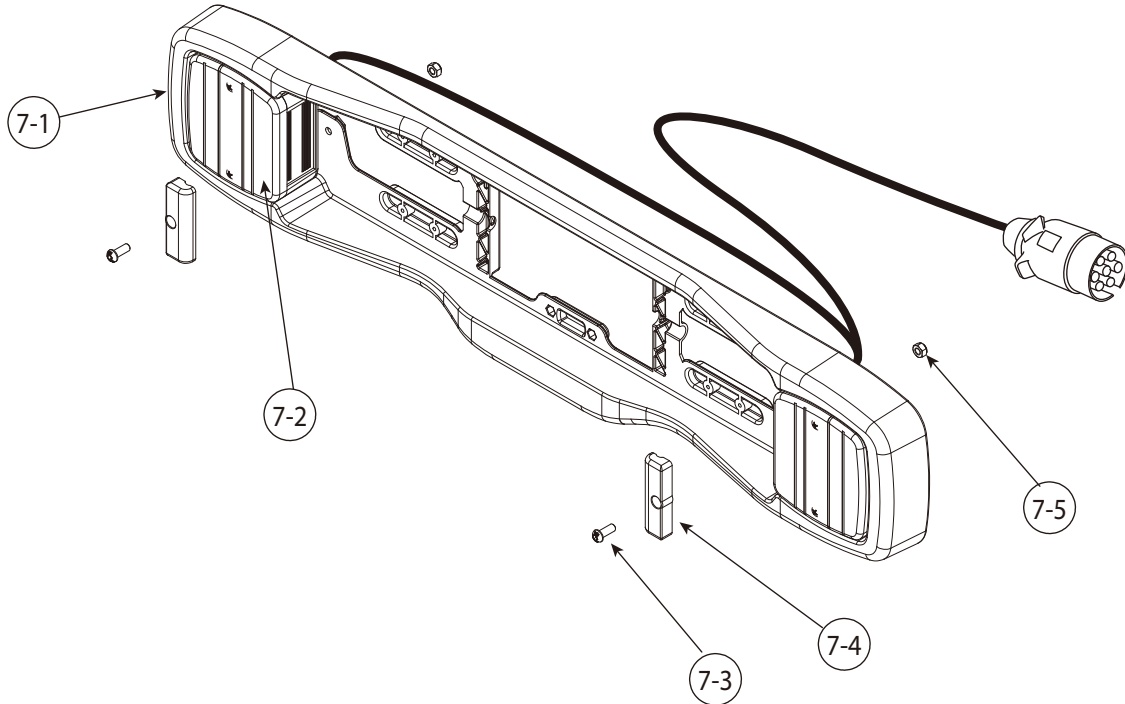
## SPARE PARTS



PART	DESCRIPTION	PART NUMBER	QTY.	PART	DESCRIPTION	PART NUMBER	QTY.
2-1	Wheel support tube	3202-00123-44P	2				
2-2	End cap	130-00340-01C	4				
2-3	Wheel suport assembly		4				
2-4	U tube	3201-00401-03P	1				
2-5	Screw M6x45mm	140-1106-038-04D	2				
2-6	Washer Ø6.5xØ13	142-1065-003-04D	4				
2-7	Nylock nut M6	141-0106-001-04D	2				
2-8	Screw cap M6	130-00458-01C	2				
2-9	Adjustment rod	3209-00278-04D	2				
2-10	Washer Ø5xØ12	142-1050-001-04D	2				
2-11	Nylock nut M5	141-0105-001-04D	2				
2-12	U-Frame pad	130-00778-16C	2				
2-13	Strap	3524-00268-01C	2				
2-14							
2-15							
2-16							
2-17							
2-18							
2-19							
2-20							



## SPARE PARTS



PART	DESCRIPTION	PART NUMBER	QTY.	PART	DESCRIPTION	PART NUMBER	QTY.
7-1	Light board	3508-00808-99C	1				
7-2	Light assembly(DF-TK003/7pin/1400mm)	139-00098-01C	1				
7-3	Screw M6x16mm	140-1106-031-04D	2				
7-4	License hook	130-00308-01C	2				
7-5	Nylock nut M6	141-0106-001-04D	2				
7-6							
7-7							
7-8							
7-9							
7-10							