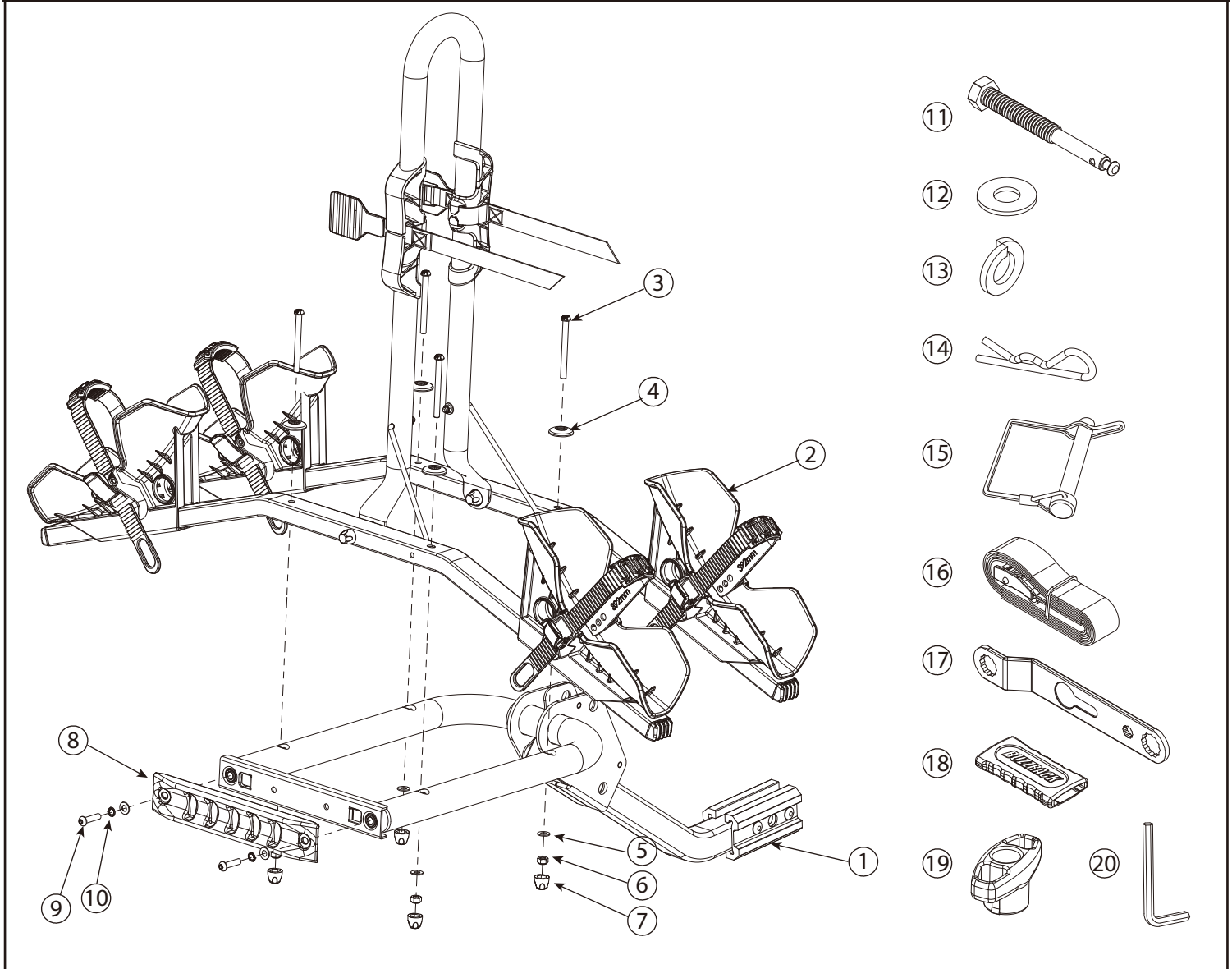
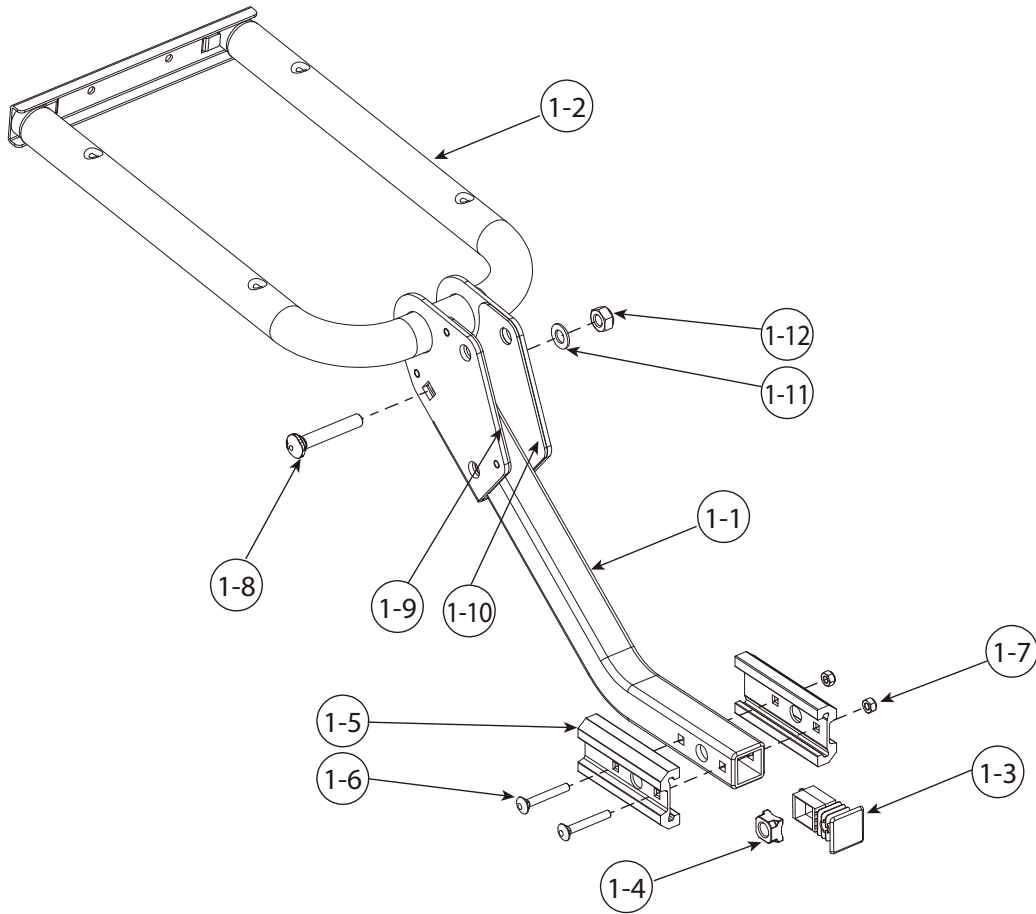


SPARE PARTS



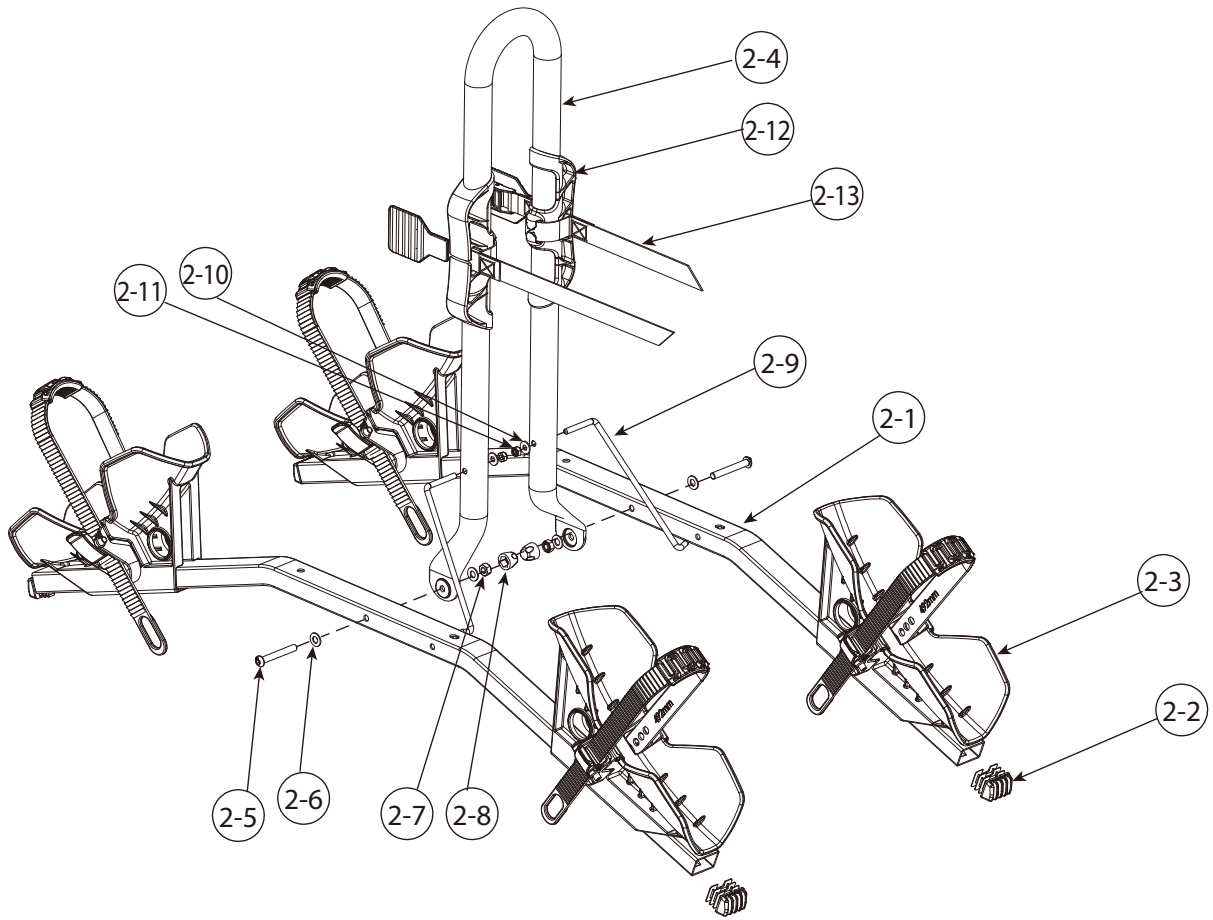
PART	DESCRIPTION	PART NUMBER	QTY.	PART	DESCRIPTION	PART NUMBER	QTY.
1	Foot assembly		1	16	Safety strap	3522-00072-03C-01	1
2	Platform assembly		1	17	Wrench	3344-00008-00P	1
3	Screw M6x65mm	140-1106-029-04D	4	18	Wrench protector	130-00513-01C	1
4	Plastic washer M6	130-00445-01C	4	19	T-wrench	132-00022-05C	1
5	Washer Ø6.5xØ13	142-1065-003-04D	6	20	Allen key(5.0)	144-00004-06D	1
6	Nylock nut M6	141-0106-001-04D	4	21			
7	Screw cap M6	130-00458-01C	4	22			
8	Cover	3508-00821-99C	1	23			
9	Screw M6x25mm	140-1106-005-04D	2	24			
10	Spring washer M6	142-2006-001-04D	2	25			
11	Hex bolt 1/2"-13UNCx118mm	140-0440-010-04D	1	26			
12	Washer Ø13.5xØ27	142-1135-003-04D	1	27			
13	Spring washer 1/2"	142-2045-001-04D	1	28			
14	R-pin	143-00003-04D	1	29			
15	Pin	143-00025-04D	1	30			

SPARE PARTS



PART	DESCRIPTION	PART NUMBER	QTY.	PART	DESCRIPTION	PART NUMBER	QTY.
1-1	Hitch tube	3202-00132-04P	1				
1-2	Welding assembly		1				
1-3	Hitch tube cap	130-00779-01C	1				
1-4	Square nut 1/2"-13UNC	141-0840-001-06D	1				
1-5	Adapter	3209-00356-00P	2				
1-6	Carriage bolt M6x43mm	140-0106-016-04D	2				
1-7	Nylock nut M6	141-0106-001-04D	2				
1-8	Carriage bolt M10x60mm	140-0110-008-04D	1				
1-9	Bracket shim(R)	130-00363-01C	1				
1-10	Bracket shim(L)	130-00364-01C	1				
1-11	Washer Ø10.8xØ20	142-1108-001-04D	1				
1-12	Nylock nut M10	141-0110-001-04D	1				
1-13							
1-14							
1-15							
1-16							
1-17							
1-18							
1-19							
1-20							

SPARE PARTS



PART	DESCRIPTION	PART NUMBER	QTY.	PART	DESCRIPTION	PART NUMBER	QTY.
2-1	Wheel support tube	3202-00123-44P	2				
2-2	End cap	130-00340-01C	4				
2-3	Wheel suport assembly		4				
2-4	U tube	3201-00401-03P	1				
2-5	Screw M6x45mm	140-1106-038-04D	2				
2-6	Washer Ø6.5xØ13	142-1065-003-04D	4				
2-7	Nylock nut M6	141-0106-001-04D	2				
2-8	Screw cap M6	130-00458-01C	2				
2-9	Adjustment rod	3209-00278-04D	2				
2-10	Washer Ø5xØ12	142-1050-001-04D	2				
2-11	Nylock nut M5	141-0105-001-04D	2				
2-12	U-Frame pad	130-00778-16C	2				
2-13	Strap	3524-00268-01C	2				
2-14							
2-15							
2-16							
2-17							
2-18							
2-19							
2-20							

