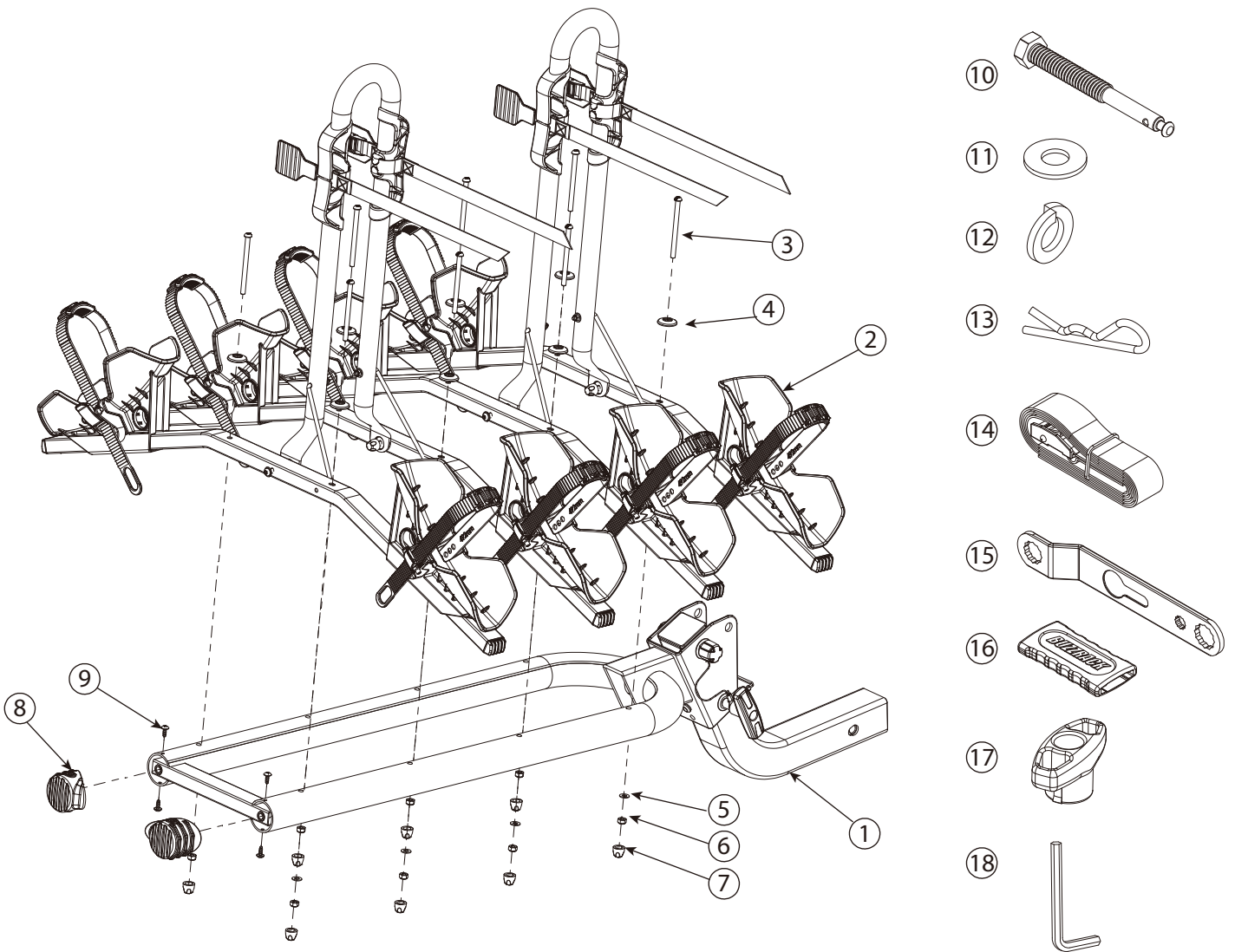
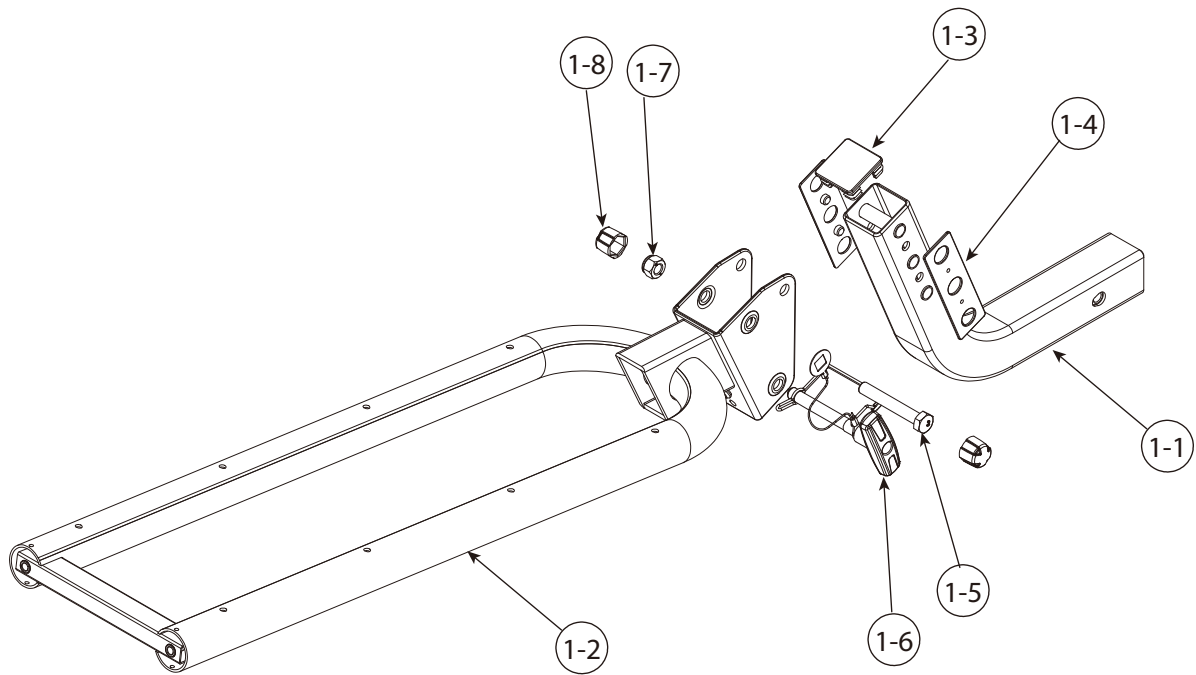


SPARE PARTS



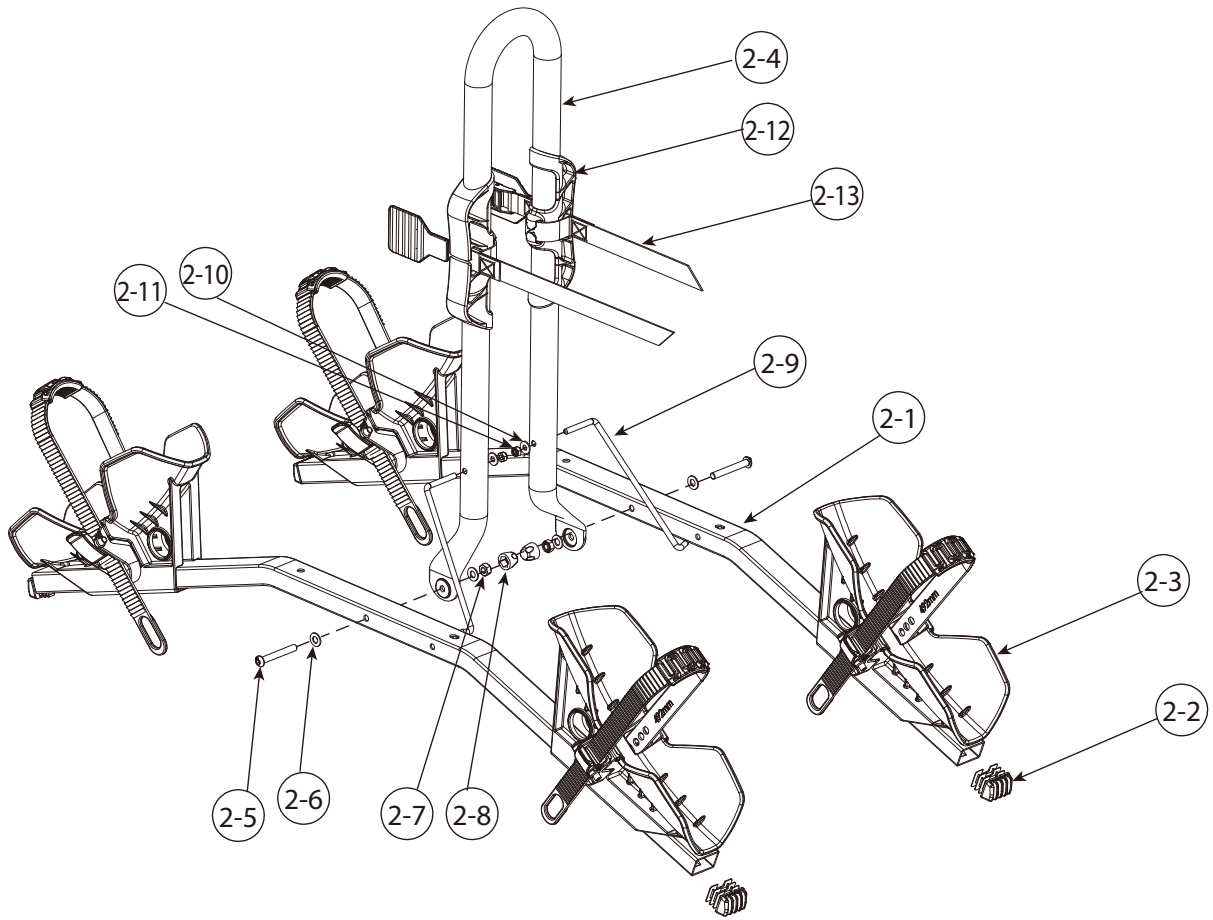
PART	DESCRIPTION	PART NUMBER	QTY.	PART	DESCRIPTION	PART NUMBER	QTY.
1	Foot assembly		1	16	Wrench protector	130-00513-01C	1
2	Platform assembly		2	17	T-wrench	132-00022-05C	1
3	Screw M6x82mm	140-1106-022-04D	8	18	Allen key(5.0)	144-00004-06D	1
4	Plastic washer M6	130-00445-01C	8	19			1
5	Washer Ø6.5xØ13	142-1065-003-04D	8	20			1
6	Nylock nut M6	141-0106-001-04D	8	21			
7	Screw cap M6	130-00458-01C	8	22			
8	End cap	130-00612-16C	2	23			
9	Screw Ø4.8x14	140-1783-002-04D	4	24			
10	Hex bolt 1/2"-13UNCx118mm	140-0440-010-04D	1	25			
11	Washer Ø13.5xØ27	142-1135-003-04D	1	26			
12	Spring washer 1/2"	142-2045-001-04D	1	27			
13	R-pin	143-00003-04D	1	28			
14	Safety strap	3522-00197-03C-01	1	29			
15	Wrench	3344-00008-00P	1	30			

SPARE PARTS



PART	DESCRIPTION	PART NUMBER	QTY.	PART	DESCRIPTION	PART NUMBER	QTY.
1-1	Hitch tube	3204-00130-04P	1				
1-2	Welding assembly		1				
1-3	Square cap	130-00852-01C	1				
1-4	Bracket shim	130-00783-01C	2				
1-5	Hex bolt M12x80mm	140-0312-001-04D	1				
1-6	T-knob assembly	3503-00134-16C	1				
1-7	Nylock nut M12	141-0112-001-04D	1				
1-8	Screw cap 3/4"	130-00019-01C	2				
1-9							
1-10							
1-11							
1-12							
1-13							
1-14							
1-15							
1-16							
1-17							
1-18							
1-19							
1-20							

SPARE PARTS



PART	DESCRIPTION	PART NUMBER	QTY.	PART	DESCRIPTION	PART NUMBER	QTY.
2-1	Wheel support tube	3202-00123-44P	2				
2-2	End cap	130-00340-01C	4				
2-3	Wheel suport assembly		4				
2-4	U tube	3201-00401-03P	1				
2-5	Screw M6x45mm	140-1106-038-04D	2				
2-6	Washer Ø6.5xØ13	142-1065-003-04D	4				
2-7	Nylock nut M6	141-0106-001-04D	2				
2-8	Screw cap M6	130-00458-01C	2				
2-9	Adjustment rod	3209-00278-04D	2				
2-10	Washer Ø5xØ12	142-1050-001-04D	2				
2-11	Nylock nut M5	141-0105-001-04D	2				
2-12	U-Frame pad	130-00778-16C	2				
2-13	Strap	3524-00268-01C	2				
2-14							
2-15							
2-16							
2-17							
2-18							
2-19							
2-20							

