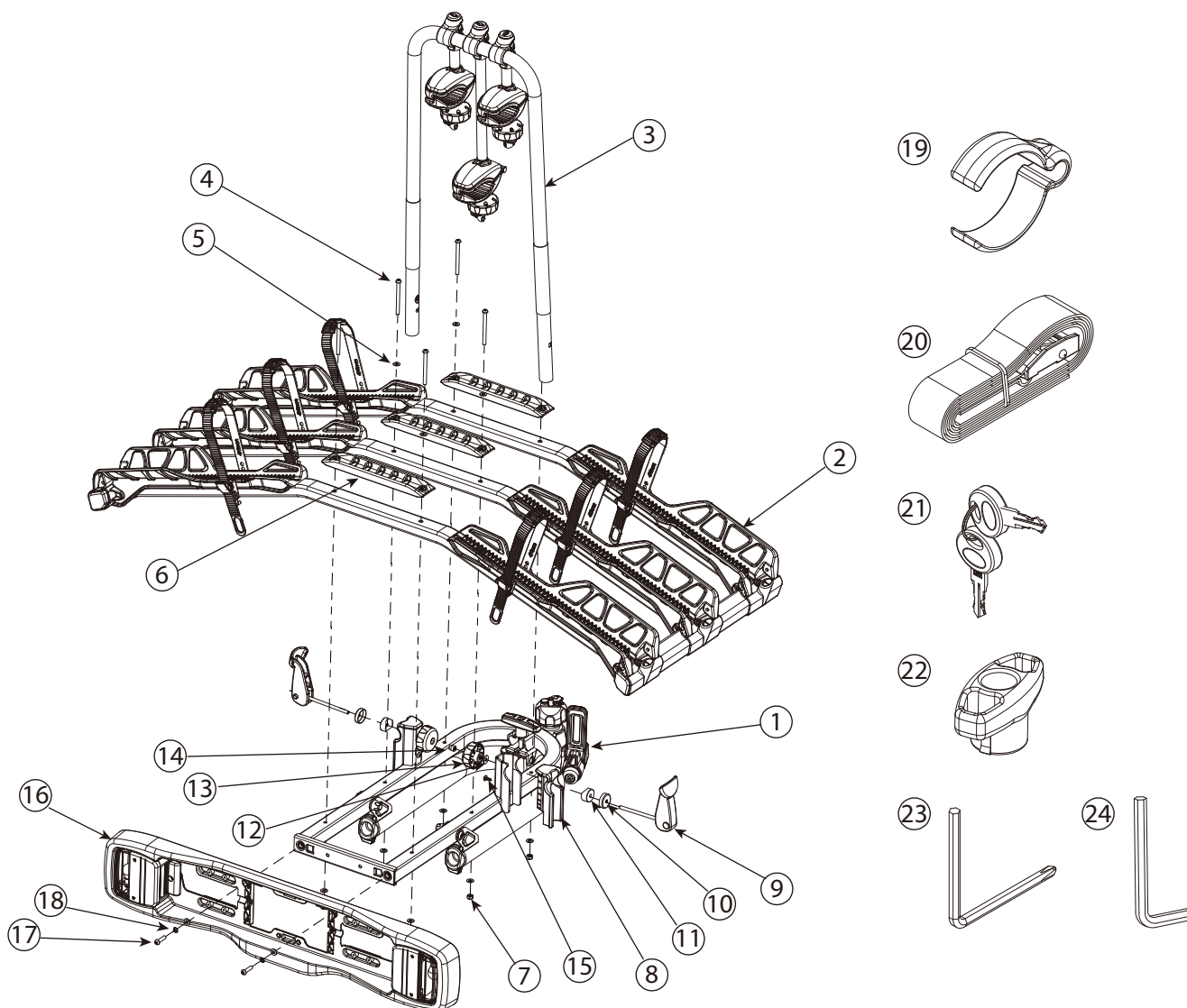
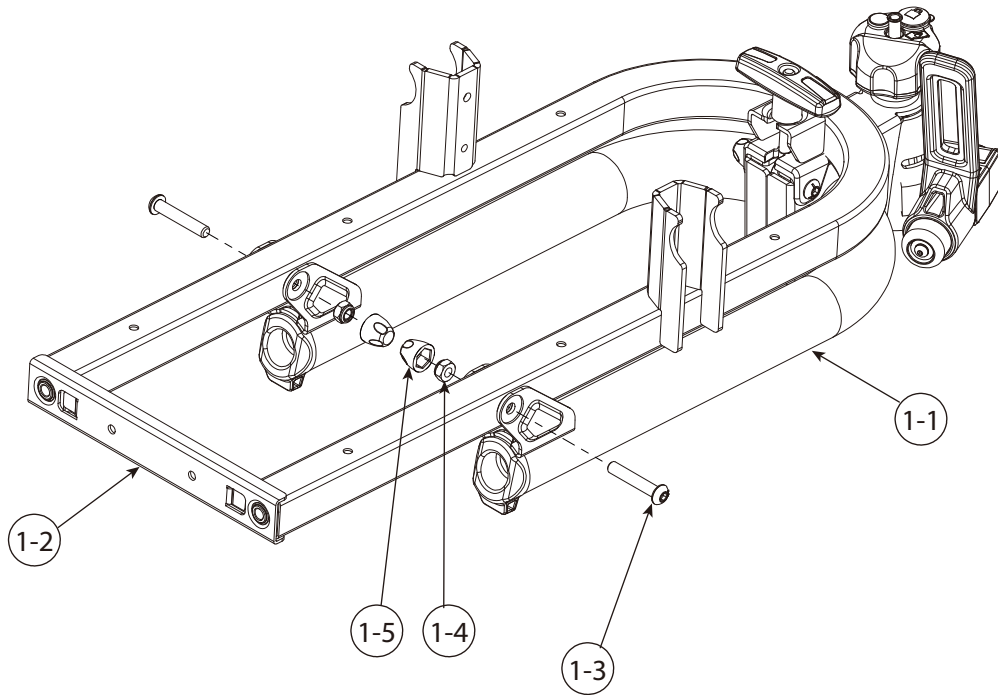


## SPARE PARTS



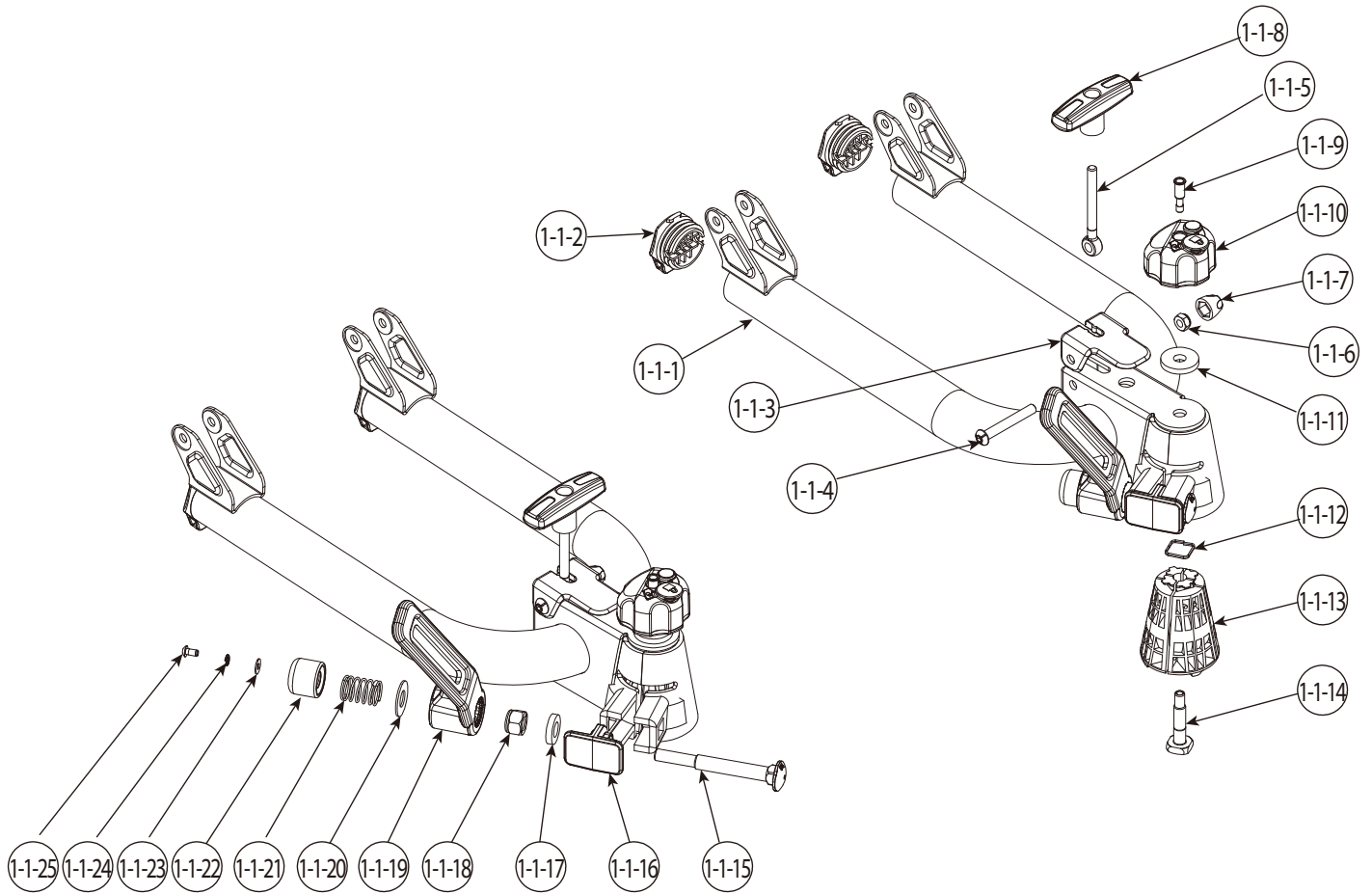
| PART | DESCRIPTION              | PART NUMBER      | QTY. | PART | DESCRIPTION      | PART NUMBER       | QTY. |
|------|--------------------------|------------------|------|------|------------------|-------------------|------|
| 1    | Foot assembly            |                  | 1    | 16   | Light assembly   | 3505-00037-99C    | 1    |
| 2    | Platform assembly        |                  | 1    | 17   | Screw M6x25mm    | 140-1106-005-04D  | 2    |
| 3    | Top frame assembly       |                  | 1    | 18   | Spring washer M6 | 142-2006-001-04D  | 2    |
| 4    | Screw M6x70mm            | 140-1106-028-04D | 6    | 19   | C-cable clip     | 130-00755-01C     | 1    |
| 5    | Washer Ø6.5xØ13          | 142-1065-003-04D | 14   | 20   | Safety strap     | 3522-00072-03C-01 | 1    |
| 6    | Wheel support tube cover | 130-00738-01C    | 3    | 21   | Key              | 147-01905-99D     | 2    |
| 7    | Nylock nut M6            | 141-0106-001-04D | 6    | 22   | T-wrench         | 132-00022-05C     | 1    |
| 8    | Plastic bushing          | 130-00814-01C    | 2    | 23   | Allen key(4.0)   | 144-00009-06D     | 1    |
| 9    | Can lever assembly       | 3509-00372-16C   | 2    | 24   | Allen key(5.0)   | 144-00003-06D     | 1    |
| 10   | Steel cap                | 3209-00373-04D   | 2    | 25   |                  |                   |      |
| 11   | Plastic washer           | 130-00035-01C    | 2    | 26   |                  |                   |      |
| 12   | Washer Ø6.5xØ16          | 142-1065-004-04D | 2    | 27   |                  |                   |      |
| 13   | Knob M6                  | 3503-00088-01C   | 2    | 28   |                  |                   |      |
| 14   | Nut M6                   | 141-2606-001-04D | 2    | 29   |                  |                   |      |
| 15   | Screw Ø4.8x14            | 140-1783-002-04D | 2    | 30   |                  |                   |      |

## SPARE PARTS



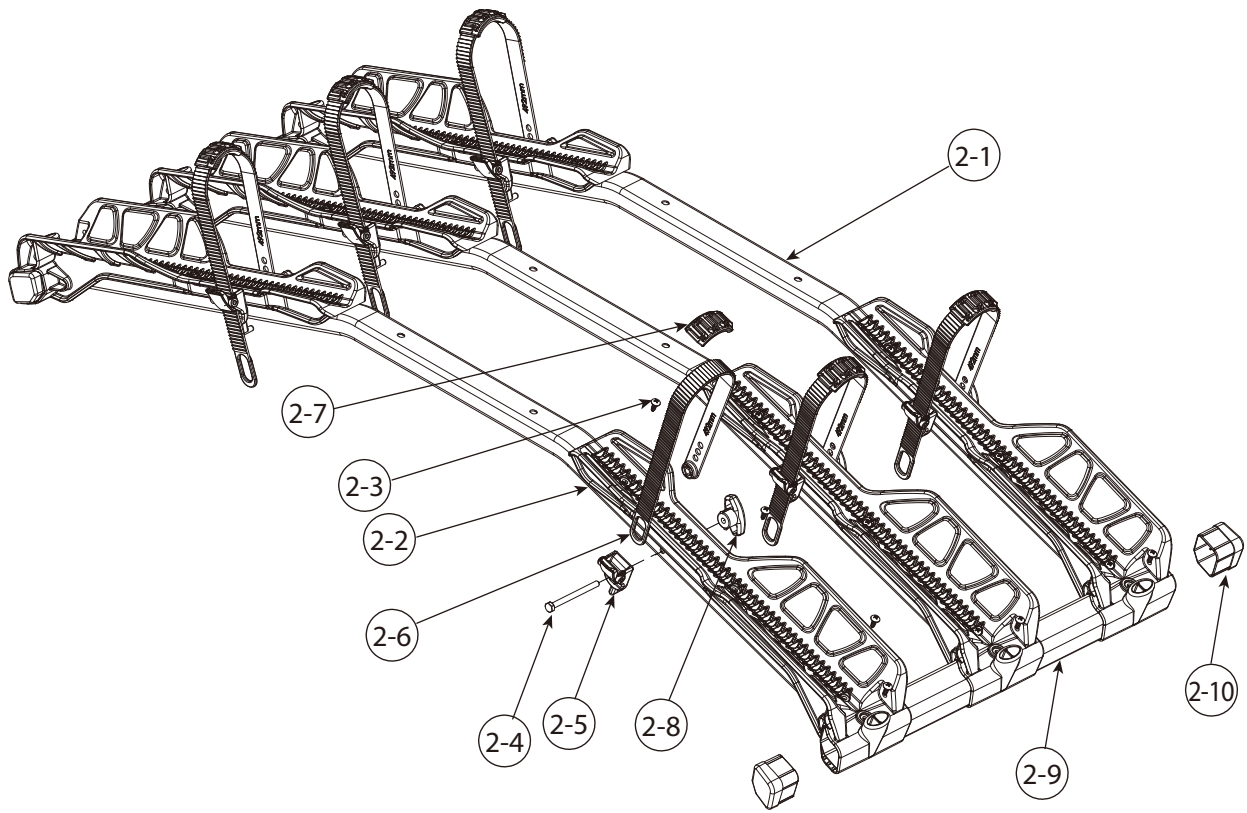
| PART | DESCRIPTION      | PART NUMBER      | QTY. | PART | DESCRIPTION | PART NUMBER | QTY. |
|------|------------------|------------------|------|------|-------------|-------------|------|
| 1-1  | Foot assembly    |                  | 1    |      |             |             |      |
| 1-2  | Welding assembly |                  | 1    |      |             |             |      |
| 1-3  | Screw M8x45mm    | 140-1108-016-04D | 2    |      |             |             |      |
| 1-4  | Nylock nut M8    | 141-0108-001-04D | 2    |      |             |             |      |
| 1-5  | Screw cap M8     | 130-00459-01C    | 2    |      |             |             |      |
| 1-6  |                  |                  |      |      |             |             |      |
| 1-7  |                  |                  |      |      |             |             |      |
| 1-8  |                  |                  |      |      |             |             |      |
| 1-9  |                  |                  |      |      |             |             |      |
| 1-10 |                  |                  |      |      |             |             |      |
| 1-11 |                  |                  |      |      |             |             |      |
| 1-12 |                  |                  |      |      |             |             |      |
| 1-13 |                  |                  |      |      |             |             |      |
| 1-14 |                  |                  |      |      |             |             |      |
| 1-15 |                  |                  |      |      |             |             |      |
| 1-16 |                  |                  |      |      |             |             |      |
| 1-17 |                  |                  |      |      |             |             |      |
| 1-18 |                  |                  |      |      |             |             |      |
| 1-19 |                  |                  |      |      |             |             |      |
| 1-20 |                  |                  |      |      |             |             |      |

## SPARE PARTS



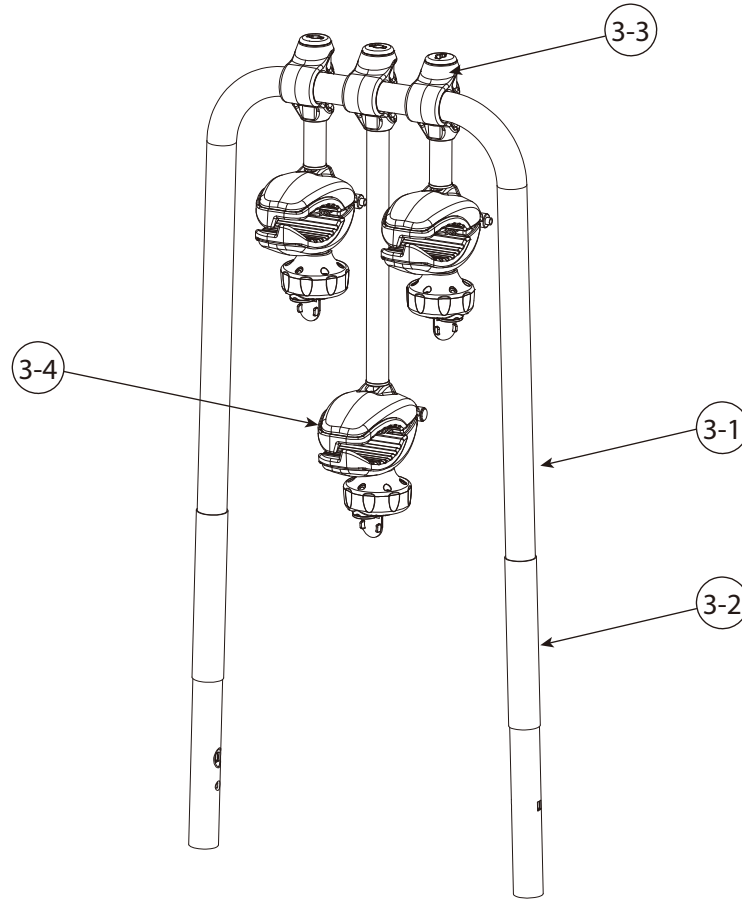
| PART   | DESCRIPTION               | PART NUMBER      | QTY. | PART   | DESCRIPTION       | PART NUMBER      | QTY. |
|--------|---------------------------|------------------|------|--------|-------------------|------------------|------|
| 1-1-1  | Welding assembly          | 3205-00187-04P   | 1    | 1-1-21 | Spring            | 145-00034-13D    | 1    |
| 1-1-2  | End cap                   | 130-00705-01C    | 2    | 1-1-22 | Bushing           | 130-00728-01C    | 1    |
| 1-1-3  | Plastic cap               | 130-00789-16C    | 1    | 1-1-23 | Washer Ø5.3xØ12.8 | 142-1053-001-04D | 1    |
| 1-1-4  | Screw M8x60mm             | 140-1108-012-04D | 1    | 1-1-24 | Spring washer M5  | 142-2005-001-04D | 1    |
| 1-1-5  | Eye-bolt M8x80mm          | 140-2008-001-04D | 1    | 1-1-25 | Screw M5x10mm     | 140-1105-004-04D | 1    |
| 1-1-6  | Nylock nut M8             | 141-0108-001-04D | 1    |        |                   |                  |      |
| 1-1-7  | Screw cap M8              | 130-00459-01C    | 1    |        |                   |                  |      |
| 1-1-8  | T-knob                    | 3503-00126-16C   | 1    |        |                   |                  |      |
| 1-1-9  | Retainer                  | 3509-00332-99C   | 1    |        |                   |                  |      |
| 1-1-10 | Locking knob M10          | 3503-00127-99C   | 1    |        |                   |                  |      |
| 1-1-11 | Washer Ø10.5xØ32          | 142-1105-003-04D | 1    |        |                   |                  |      |
| 1-1-12 | Square spring             | 145-00055-13D    | 1    |        |                   |                  |      |
| 1-1-13 | Conical clamps            | 118-00146-00     | 4    |        |                   |                  |      |
| 1-1-14 | Square head bolt M10x50mm | 140-0510-002-04D | 1    |        |                   |                  |      |
| 1-1-15 | Carriage bolt M12x105mm   | 140-0112-008-04D | 1    |        |                   |                  |      |
| 1-1-16 | Conic protector           | 130-00609-01C    | 1    |        |                   |                  |      |
| 1-1-17 | Washer Ø13xØ25            | 142-1130-005-04D | 1    |        |                   |                  |      |
| 1-1-18 | Nylock nut M12            | 141-0112-003-04D | 1    |        |                   |                  |      |
| 1-1-19 | Intergrated spanner       | 3209-00369-16C   | 1    |        |                   |                  |      |
| 1-1-20 | Washer Ø14.2xØ30          | 142-1141-001-04D | 1    |        |                   |                  |      |

## SPARE PARTS



| PART | DESCRIPTION             | PART NUMBER      | QTY. | PART | DESCRIPTION | PART NUMBER | QTY. |
|------|-------------------------|------------------|------|------|-------------|-------------|------|
| 2-1  | Wheel support tube      | 3202-00127-44P   | 3    |      |             |             |      |
| 2-2  | Wheel suport            | 130-00735-01C    | 6    |      |             |             |      |
| 2-3  | Screw Ø4.8x14           | 140-1783-002-04D | 24   |      |             |             |      |
| 2-4  | Hex bolt M6x70mm        | 140-0306-041-04D | 6    |      |             |             |      |
| 2-5  | Ratchet for wheel strap | 3509-00318-16C   | 6    |      |             |             |      |
| 2-6  | Wheel strap 492mm       | 130-00687-01C    | 6    |      |             |             |      |
| 2-7  | Strap pad               | 130-00637-16C    | 6    |      |             |             |      |
| 2-8  | T-knob M6               | 3509-00319-01C   | 6    |      |             |             |      |
| 2-9  | Side tube               | 3420-00042-44P   | 2    |      |             |             |      |
| 2-10 | End cap                 | 130-00737-01C    | 4    |      |             |             |      |
| 2-11 |                         |                  |      |      |             |             |      |
| 2-12 |                         |                  |      |      |             |             |      |
| 2-13 |                         |                  |      |      |             |             |      |
| 2-14 |                         |                  |      |      |             |             |      |
| 2-15 |                         |                  |      |      |             |             |      |
| 2-16 |                         |                  |      |      |             |             |      |
| 2-17 |                         |                  |      |      |             |             |      |
| 2-18 |                         |                  |      |      |             |             |      |
| 2-19 |                         |                  |      |      |             |             |      |
| 2-20 |                         |                  |      |      |             |             |      |

## SPARE PARTS



| PART | DESCRIPTION            | PART NUMBER    | QTY. | PART | DESCRIPTION | PART NUMBER | QTY. |
|------|------------------------|----------------|------|------|-------------|-------------|------|
| 3-1  | Vertical tube          | 3201-00415-44P | 1    |      |             |             |      |
| 3-2  | PVC corer              | 131-00043-01C  | 2    |      |             |             |      |
| 3-3  | Clamp assembly - short |                | 2    |      |             |             |      |
| 3-4  | Clamp assembly - long  |                | 1    |      |             |             |      |
| 3-5  |                        |                |      |      |             |             |      |
| 3-6  |                        |                |      |      |             |             |      |
| 3-7  |                        |                |      |      |             |             |      |
| 3-8  |                        |                |      |      |             |             |      |
| 3-9  |                        |                |      |      |             |             |      |
| 3-10 |                        |                |      |      |             |             |      |
| 3-11 |                        |                |      |      |             |             |      |
| 3-12 |                        |                |      |      |             |             |      |
| 3-13 |                        |                |      |      |             |             |      |
| 3-14 |                        |                |      |      |             |             |      |
| 3-15 |                        |                |      |      |             |             |      |
| 3-16 |                        |                |      |      |             |             |      |
| 3-17 |                        |                |      |      |             |             |      |
| 3-18 |                        |                |      |      |             |             |      |
| 3-19 |                        |                |      |      |             |             |      |
| 3-20 |                        |                |      |      |             |             |      |



