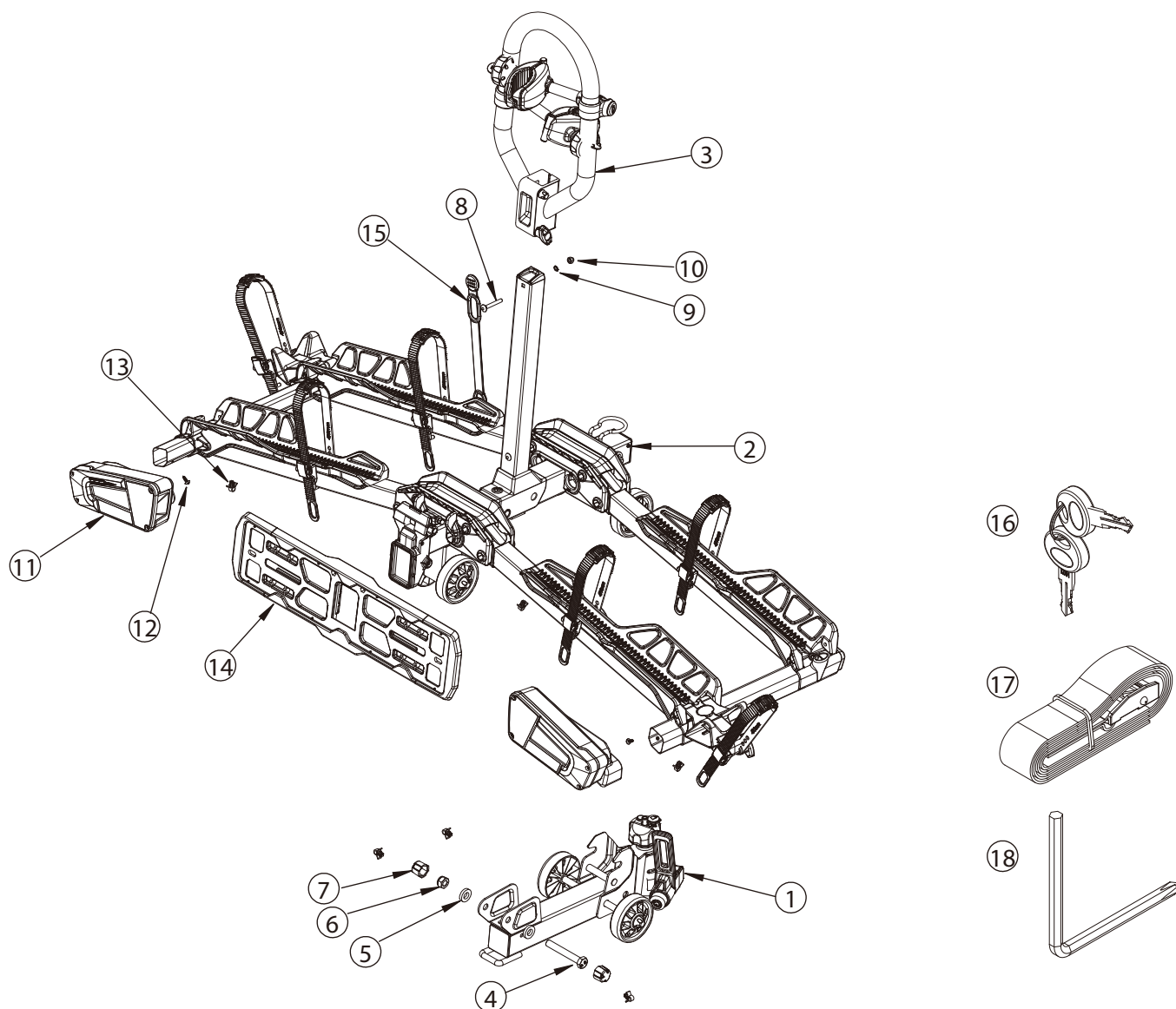
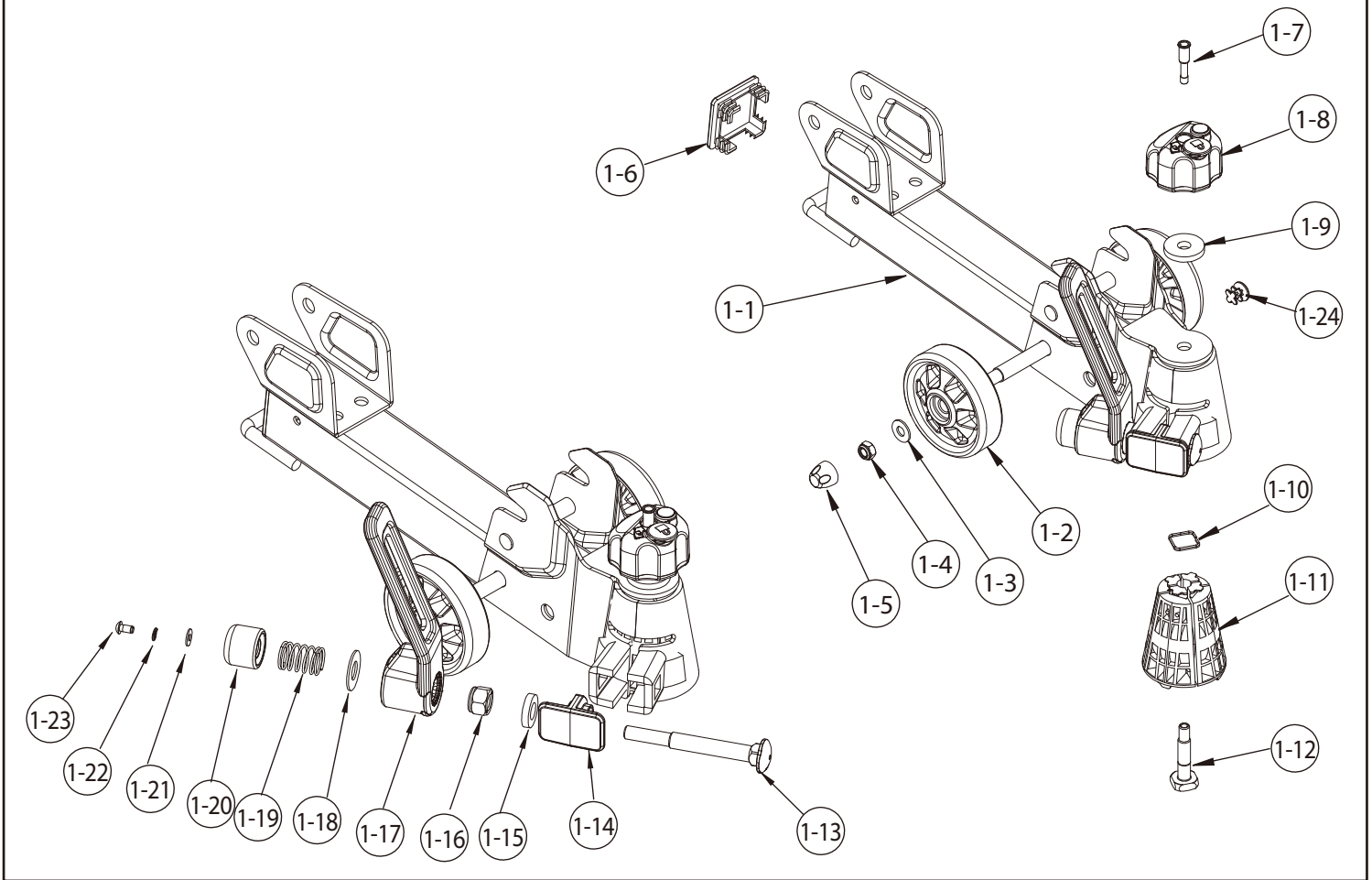


SPARE PARTS



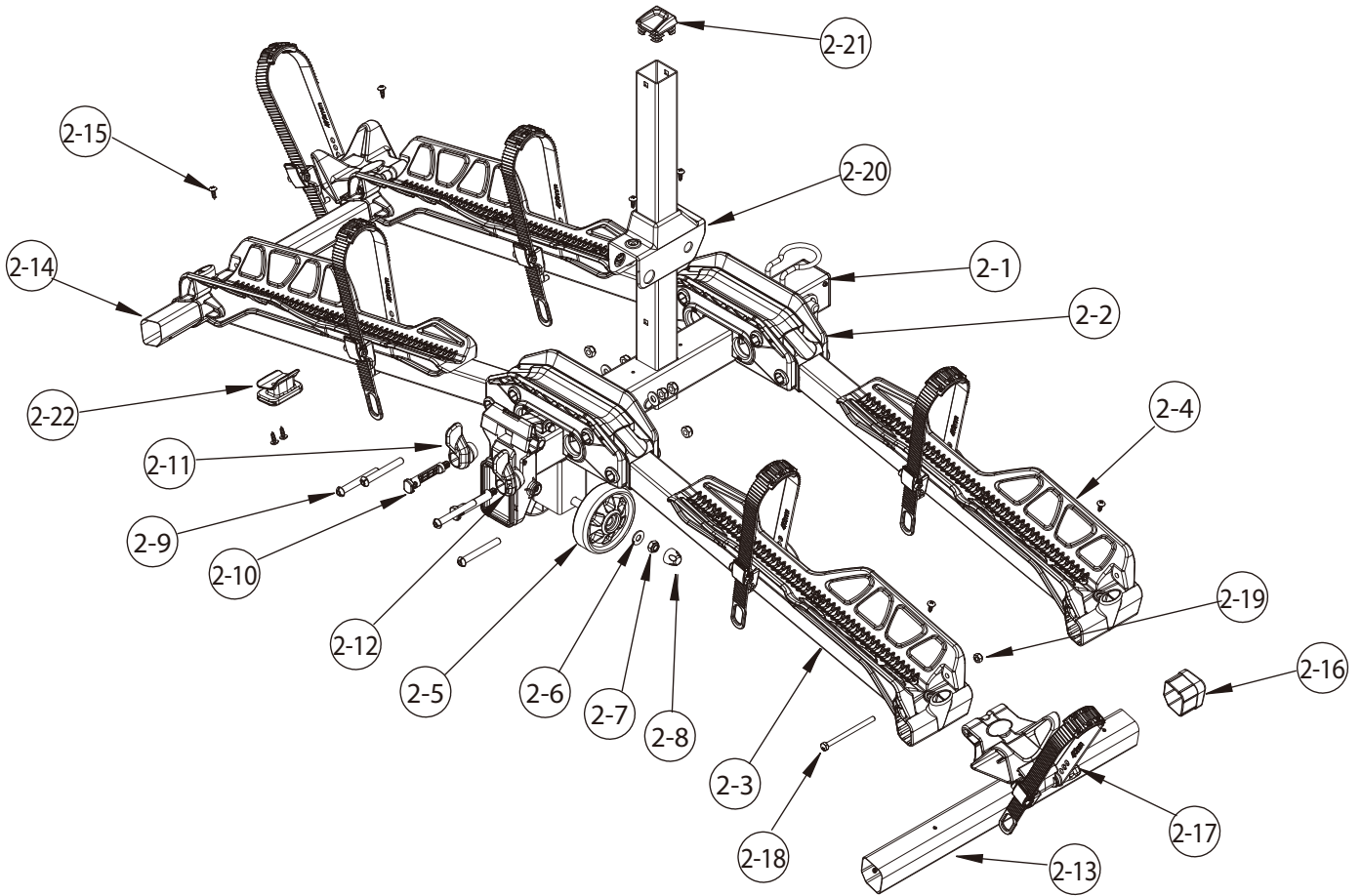
PART	DESCRIPTION	PART NUMBER	QTY.	PART	DESCRIPTION	PART NUMBER	QTY.
1	Foot assembly		1	16	Key	147-01905-99D	2
2	Platform assembly		1	17	Safety strap	3522-00072-03C-01	1
3	Top frame		1	18	Allen key	144-00009-06D	1
4	Hex bolt M12x80mm	140-0312-001-04D	1	19			
5	Washer Ø13xØ24	142-1130-001-04D	2	20			
6	Nylock nut M12	141-0112-001-04D	1	21			
7	Screw cap Ø3/4"	130-00019-01C	2	22			
8	Carriage bolt M6x45mm	140-0106-055-04D	2	23			
9	Spring washer M6	142-2006-001-04D	2	24			
10	Cap nut M6	141-1406-001-04D	2	25			
11	Light assembly		1	26			
12	Screw Ø4.8x14	140-1783-002-04D	2	27			
13	Cable clip	130-00838-01C	8	28			
14	License plate holder	3508-00455-01C	1	29			
15	Storage strap 230mm	130-00762-16C	1	30			

SPARE PARTS



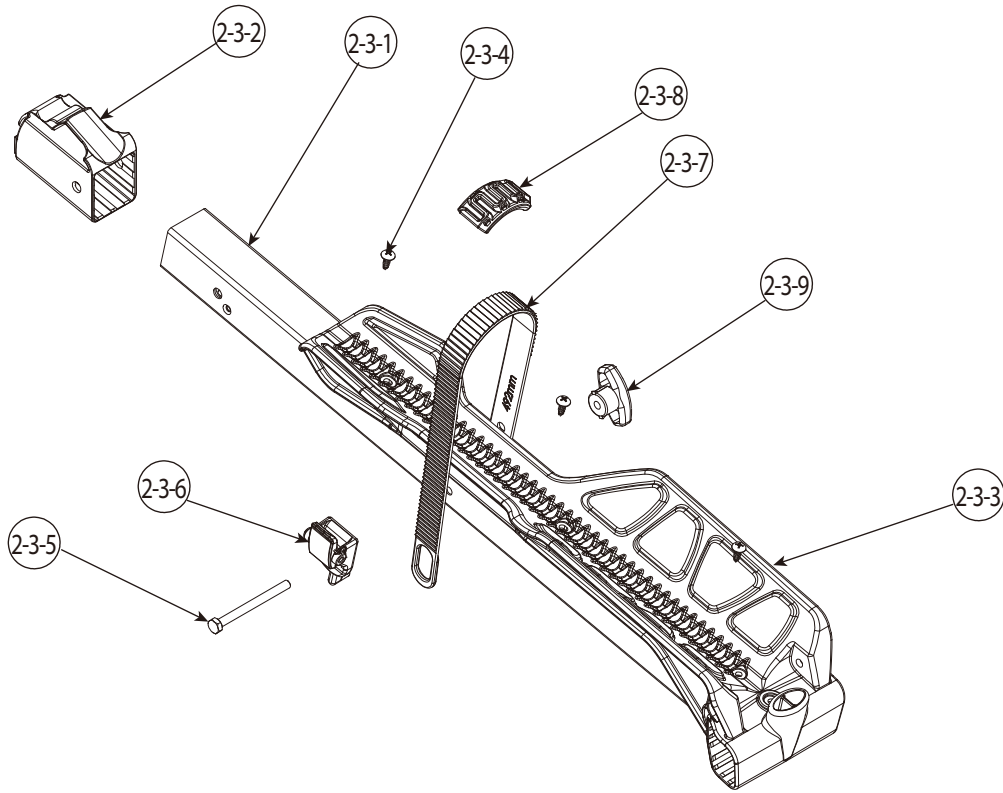
PART	DESCRIPTION	PART NUMBER	QTY.	PART	DESCRIPTION	PART NUMBER	QTY.
1-1	Foot assembly	3205-00226-04P	1	1-21	Washer Ø5.3xØ12.8	142-1053-001-04D	1
1-2	Wheel	130-00857-16C	2	1-22	Spring washer M5	142-2005-001-04D	1
1-3	Washer Ø8.5xØ19	142-1085-003-04D	2	1-23	Screw M5x10mm	140-1105-004-04D	1
1-4	Nylock nut M8	141-0108-001-04D	2	1-24	Cap Ø5/8"	130-00011-01C	1
1-5	Screw cap M8	130-00459-01C	2	1-25			
1-6	End cap	130-00227-01C	1	1-26			
1-7	Retainer	3509-00332-99C	1	1-27			
1-8	Locking knob M10	3503-00127-99C	1	1-28			
1-9	Washer Ø10.5xØ32	142-1105-003-04D	1	1-29			
1-10	Square spring	145-00055-13D	1	1-30			
1-11	Conical clamps	118-00146-00	4				
1-12	Square bolt M10x50mm	140-0510-002-04D	1				
1-13	Carriage bolt M12x105mm	140-0112-008-04D	1				
1-14	Conical protector	130-00609-01C	1				
1-15	Washer Ø13xØ25	142-1130-005-04D	1				
1-16	Nylock nut M12	141-0112-003-04D	1				
1-17	Intergrated spanner	3209-00369-16C	1				
1-18	Washer Ø14.2xØ30	142-1141-001-04D	1				
1-19	Spring	145-00034-13D	1				
1-20	Bushing	130-00728-01C	1				

SPARE PARTS



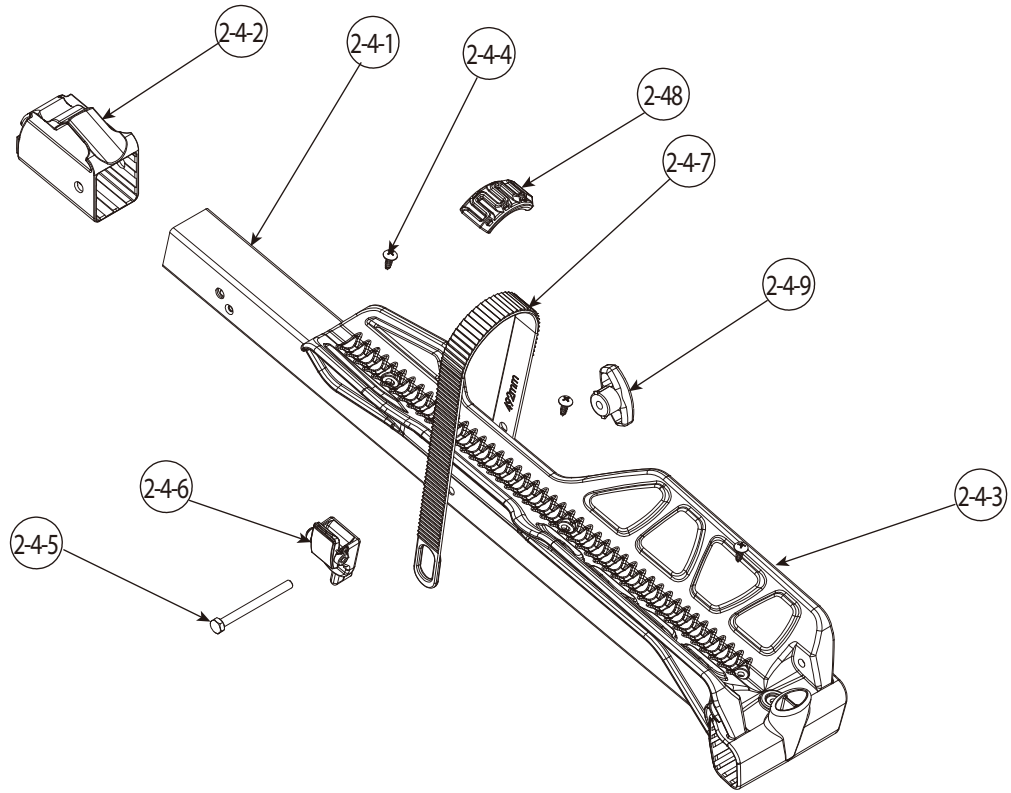
PART	DESCRIPTION	PART NUMBER	QTY.	PART	DESCRIPTION	PART NUMBER	QTY.
2-1	Folding system assembly		1	2-21	End cap	130-00839-01C	1
2-2	Wheel tube cover	130-00491-01C	2	2-22	License plate holder clip	130-00722-01C	1
2-3	Wheel support assembly - front		2	2-23			
2-4	Wheel support assembly - back		2	2-24			
2-5	Wheel	130-00857-16C	2	2-25			
2-6	Washer Ø8.5xØ19	142-1085-003-04D	4	2-26			
2-7	Nylock nut M8	141-0108-001-04D	12	2-27			
2-8	Screw cap M8	130-00459-01C	2	2-28			
2-9	Screw M8x65mm	140-1108-022-04D	8	2-29			
2-10	Pin	118-00176-00	2	2-30			
2-11	Wheel tube handle (L)	130-00724-16C	1				
2-12	Wheel tube handle (R)	130-00723-16C	1				
2-13	Aluminum side tube (R)	3420-00026-44P	1				
2-14	Aluminum side tube (L)	3420-00027-44P	1				
2-15	Screw Ø4.8x14	140-1783-002-04D	8				
2-16	End cap of aluminum tube	130-00737-01C	2				
2-17	Anti-sway assembly		2				
2-18	Hex bolt M6x85mm	140-0306-043-04D	2				
2-19	Nylock nut M6	141-0106-001-04D	2				
2-20	Bushing	130-00730-01C	1				

SPARE PARTS



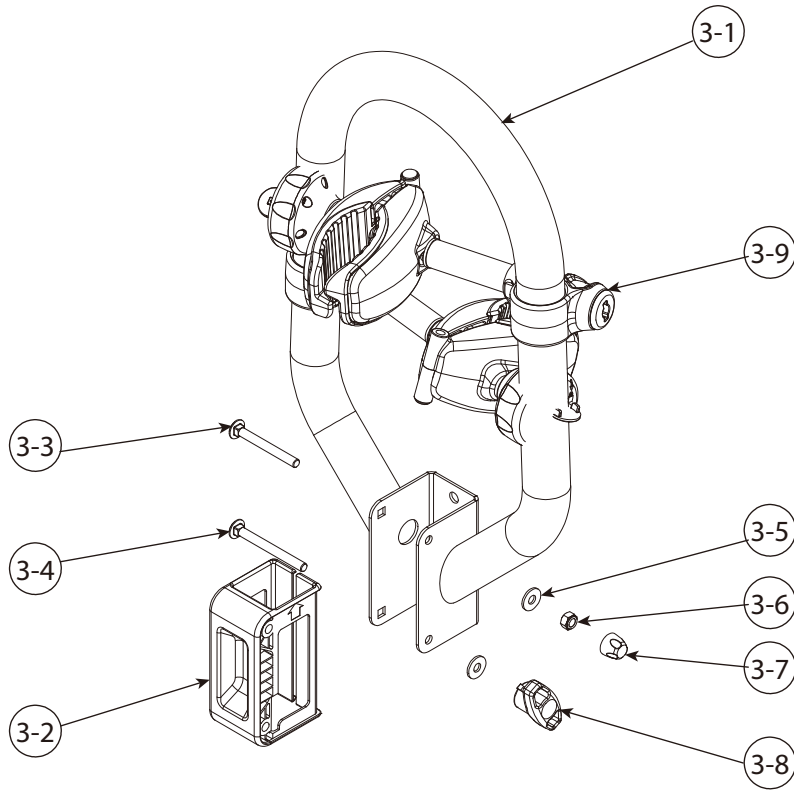
PART	DESCRIPTION	PART NUMBER	QTY.	PART	DESCRIPTION	PART NUMBER	QTY.
2-3-1	Wheel tube - front	3202-00171-44P	1				
2-3-2	Wheel support end cap	130-00492-01C	1				
2-3-3	Wheel support	130-00735-01C	1				
2-3-4	Screw Ø4.8x14	140-1783-002-04D	3				
2-3-5	Hex bolt M6x70mm	140-0306-041-04D	1				
2-3-6	Ratchet for wheel strap	3509-00318-16C	1				
2-3-7	Wheel strap 492mm	130-00687-01C	1				
2-3-8	Strap pad	130-00637-16C	1				
2-3-9	T-knob	3509-00319-01C	1				
2-3-10							
2-3-11							
2-3-12							
2-3-13							
2-3-14							
2-3-15							
2-3-16							
2-3-17							
2-3-18							
2-3-19							
2-3-20							

SPARE PARTS



PART	DESCRIPTION	PART NUMBER	QTY.	PART	DESCRIPTION	PART NUMBER	QTY.
2-4-1	Wheel tube - back	3202-00172-44P	1				
2-4-2	Wheel support end cap	130-00492-01C	1				
2-4-3	Wheel support	130-00735-01C	1				
2-4-4	Screw Ø4.8x14	140-1783-002-04D	3				
2-4-5	Hex bolt M6x70mm	140-0306-041-04D	1				
2-4-6	Ratchet for wheel strap	3509-00318-16C	1				
2-4-7	Wheel strap 492mm	130-00687-01C	1				
2-4-8	Strap pad	130-00637-16C	1				
2-4-9	T-knob	3509-00319-01C	1				
2-4-10							
2-4-11							
2-4-12							
2-4-13							
2-4-14							
2-4-15							
2-4-16							
2-4-17							
2-4-18							
2-4-19							
2-4-20							

SPARE PARTS



PART	DESCRIPTION	PART NUMBER	QTY.	PART	DESCRIPTION	PART NUMBER	QTY.
3-1	Top frame	3203-00126-44P	1				
3-2	Bushing	130-00820-01C	1				
3-3	Carriage bolt M6x55mm	140-0106-023-04D	1				
3-4	Carriage bolt M6x62mm	140-0106-026-04D	1				
3-5	Washer Ø6.5xØ16	142-1065-004-04D	2				
3-6	Nylock nut M6	141-0106-001-04D	1				
3-7	Screw cap M6	130-00458-01C	1				
3-8	T-knob	3509-00319-01C	1				
3-9	Clamp assembly		2				
3-10							
3-11							
3-12							
3-13							
3-14							
3-15							
3-16							
3-17							
3-18							
3-19							
3-20							

