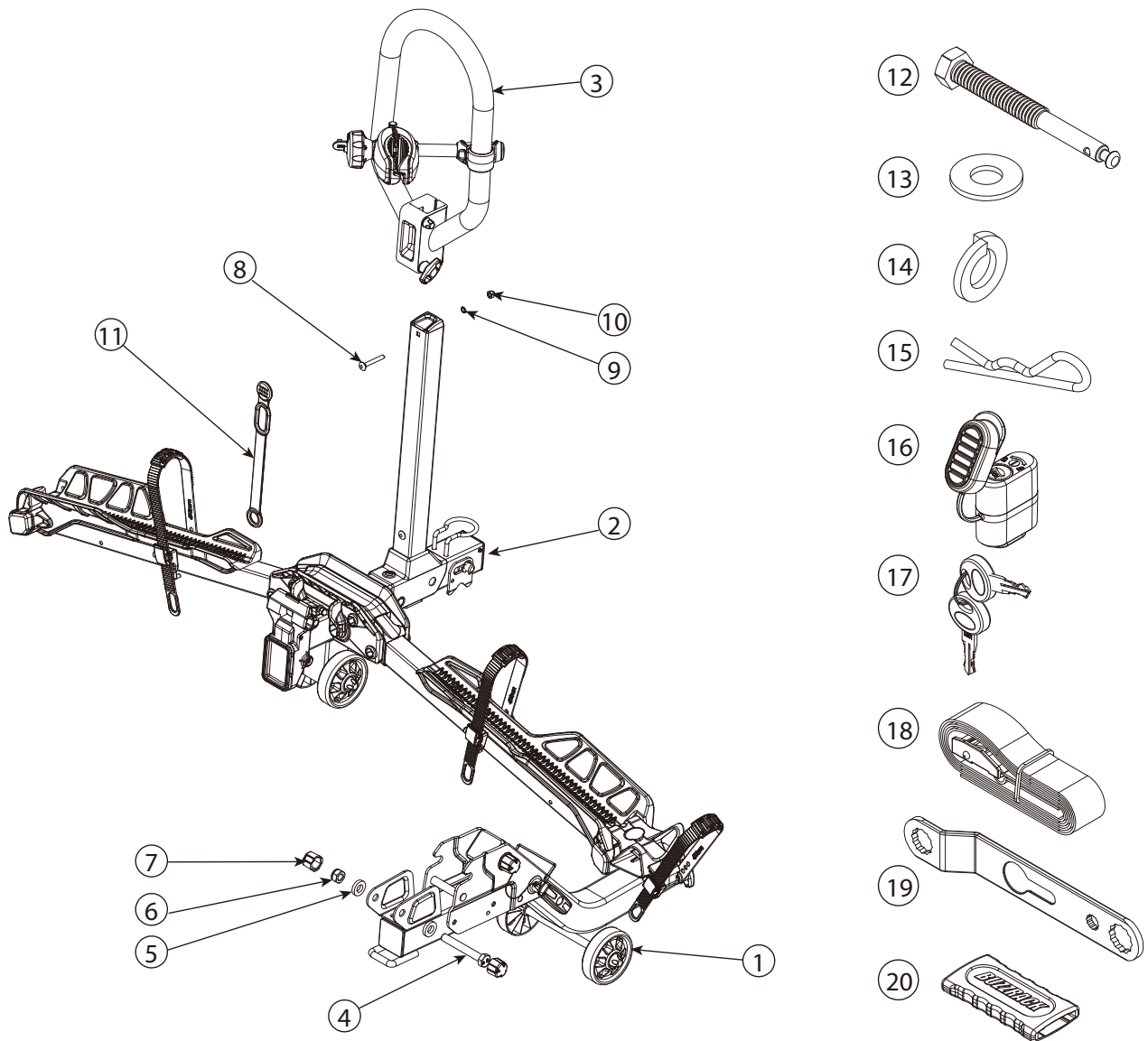
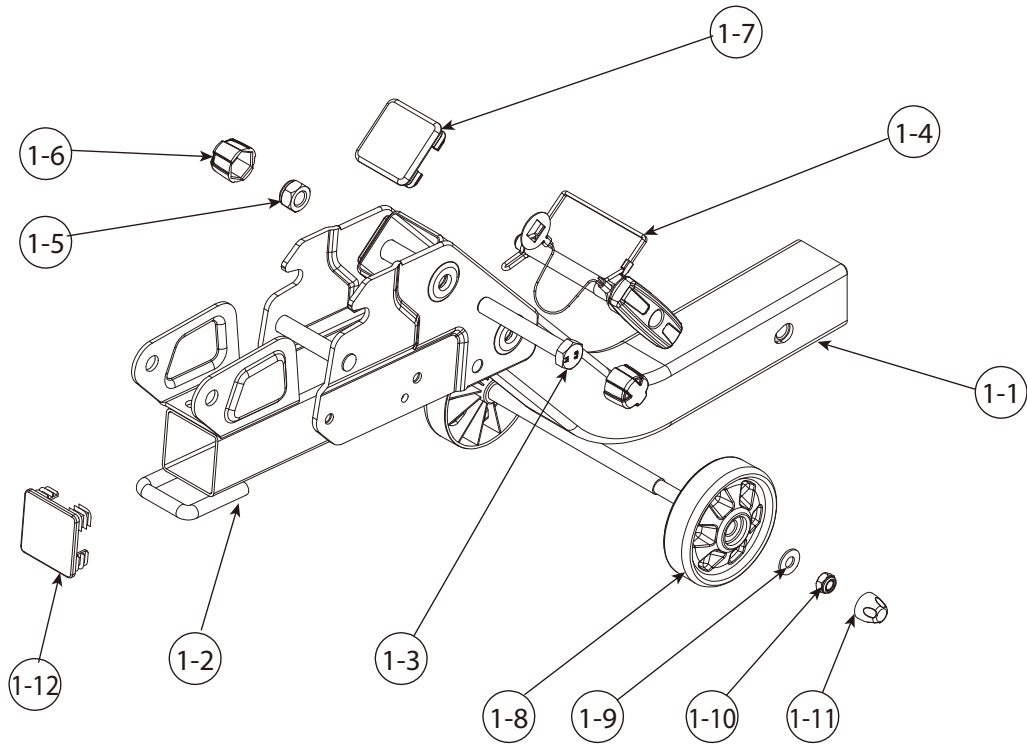


SPARE PARTS



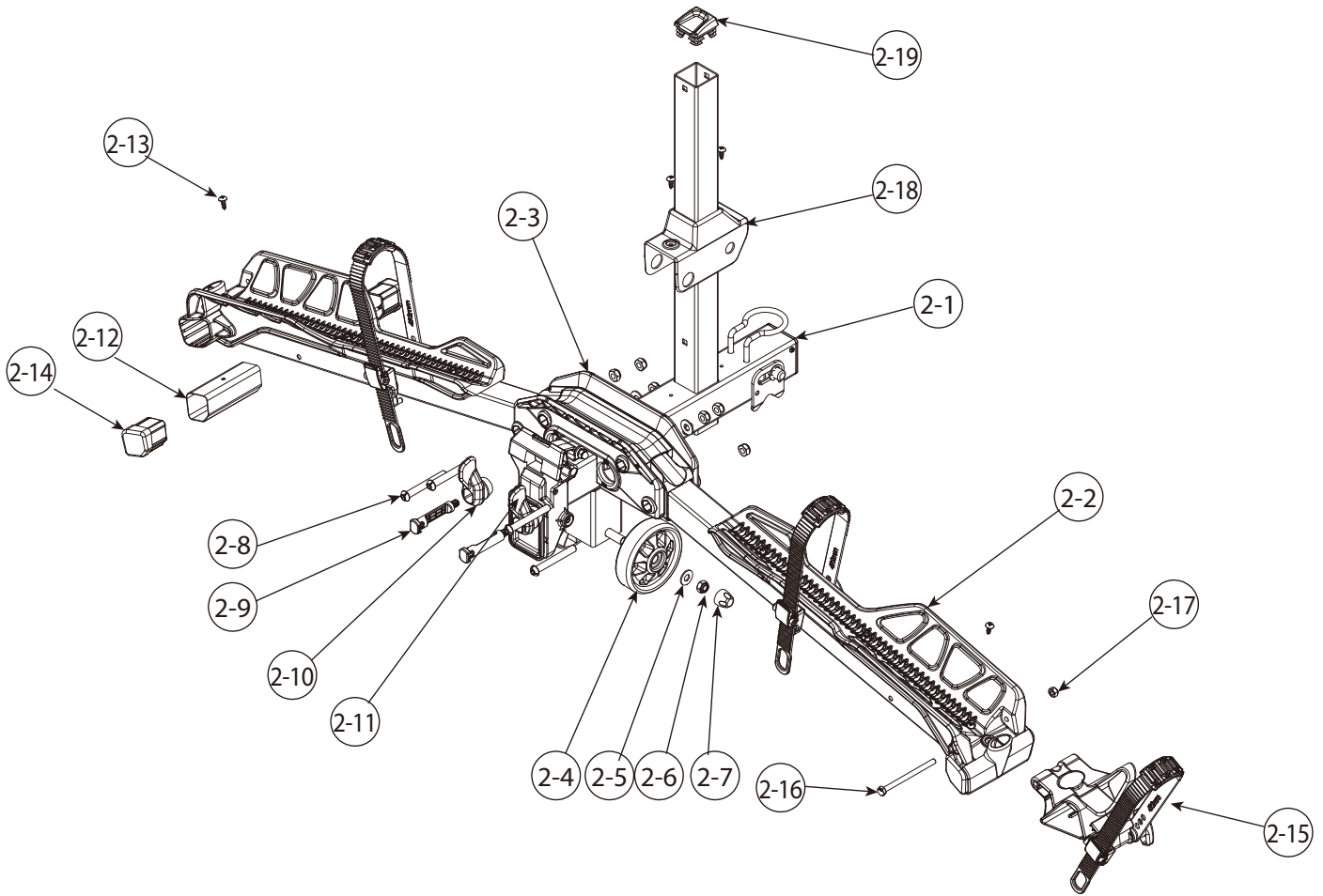
PART	DESCRIPTION	PART NUMBER	QTY.	PART	DESCRIPTION	PART NUMBER	QTY.
1	Foot assembly		1	16	Hitch lock	3509-00301-16C	1
2	Platform assembly		1	17	Key	147-01905-99D	2
3	Top frame assembly		1	18	Safety strap	3522-00072-03C-01	1
4	Hex bolt M12x80mm	140-0312-001-04D	1	19	Wrench	3344-00008-00P	1
5	Washer Ø13xØ24	142-1130-001-04D	2	20	Wrench protector	130-00513-01C	1
6	Nylock nut M12	141-0112-001-04D	1	21			
7	Screw cap Ø3/4"	130-00019-01C	2	22			
8	Carriage bolt M6x45mm	140-0106-055-04D	2	23			
9	Spring washer M6	142-2006-001-04D	2	24			
10	Cap nut M6	141-1406-001-04D	2	25			
11	Storage strap 230mm	130-00762-16C	1	26			
12	Hex bolt 1/2"-13UNCx118mm	140-0440-008-04D	1	27			
13	Washer Ø13.5xØ27	142-1135-003-04D	1	28			
14	Spring washer 1/2"	142-2045-001-04D	1	29			
15	R-pin	143-00003-04D	1	30			

SPARE PARTS



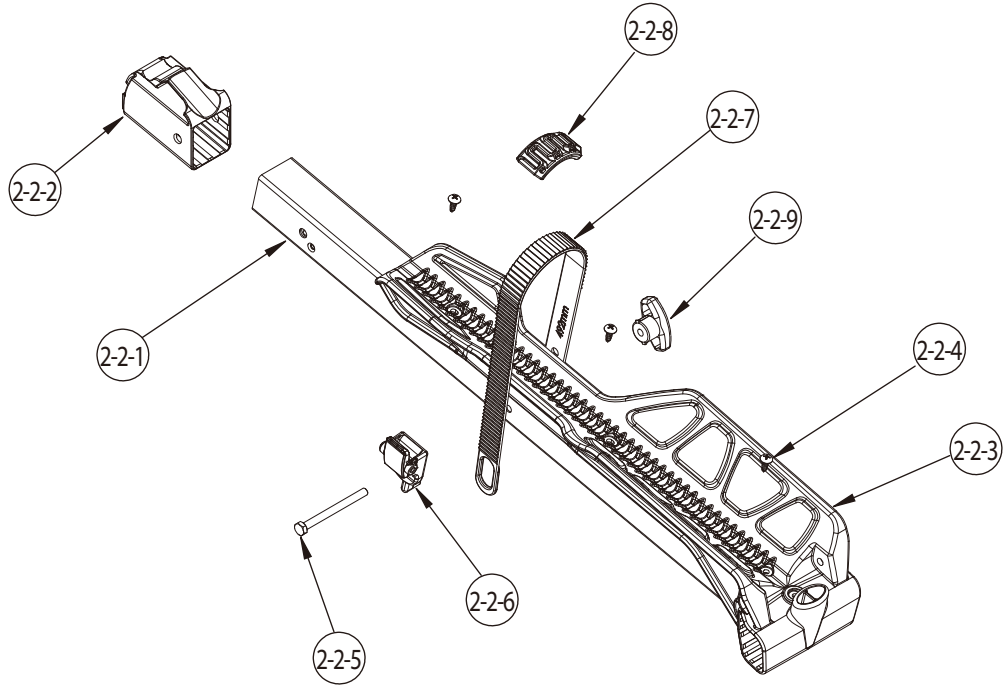
PART	DESCRIPTION	PART NUMBER	QTY.	PART	DESCRIPTION	PART NUMBER	QTY.
1-1	Hitch tube	3204-00136-04P	1				
1-2	Welding assembly	3205-00190-04P	1				
1-3	Hex bolt M12x80mm	140-0312-001-04D	1				
1-4	T-knob assembly	3503-00134-16C	1				
1-5	Nylock nut M12	141-0112-001-04D	1				
1-6	Screw cap 3/4"	130-00019-01C	2				
1-7	Square cap 2"	130-00274-01C	1				
1-8	Wheel	130-00857-16C	2				
1-9	Washer Ø8.5xØ19	142-1085-003-04D	2				
1-10	Nylock nut M8	141-0108-001-04D	2				
1-11	Screw cap M8	130-00459-01C	2				
1-12	Square cap 50mm	130-00227-01C	1				
1-13							
1-14							
1-15							
1-16							
1-17							
1-18							
1-19							
1-20							

SPARE PARTS



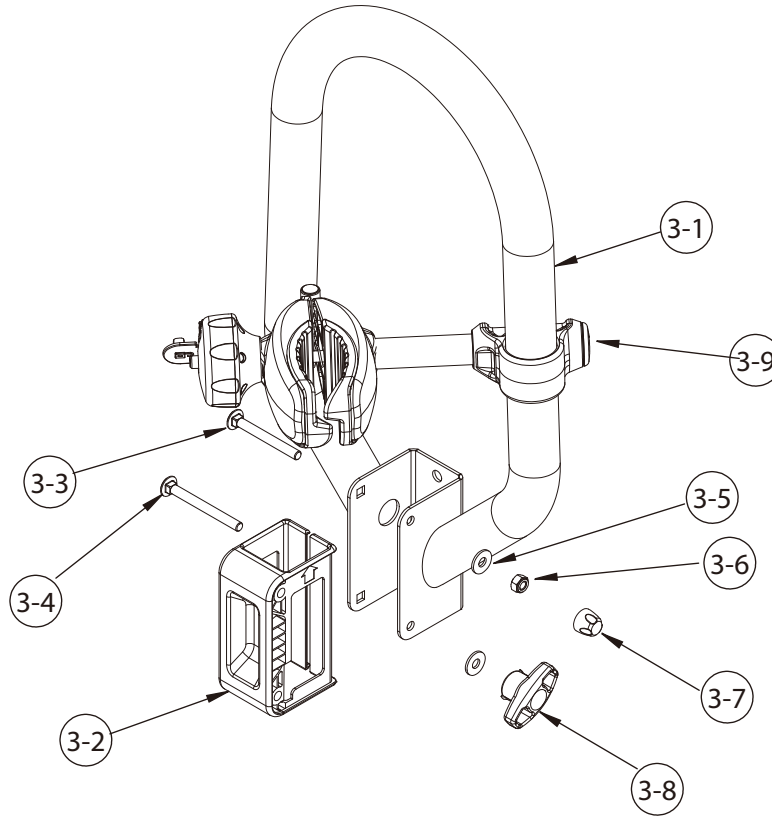
PART	DESCRIPTION	PART NUMBER	QTY.	PART	DESCRIPTION	PART NUMBER	QTY.
2-1	Folding system assembly		1				
2-2	Wheel support tube cover	130-00491-01C	2				
2-3	Wheel support assembly		1				
2-4	Wheel	130-00857-16C	2				
2-5	Washer Ø8.5xØ19	142-1085-003-04D	4				
2-6	Nylock nut M8	141-0108-001-04D	8				
2-7	Screw cap M8	130-00459-01C	2				
2-8	Screw M8x65mm	140-1108-022-04D	4				
2-9	Pin	118-00176-00	2				
2-10	Wheel tube handle (L)	130-00724-16C	1				
2-11	Wheel tube handle (R)	130-00723-16C	1				
2-12	Side tube	3420-00044-44P	2				
2-13	Screw Ø4.8x14	140-1783-002-04D	4				
2-14	End cap	130-00737-01C	4				
2-15	Anti-sway assembly		1				
2-16	Hex bolt M6x85mm	140-0306-043-04D	1				
2-17	Nylock nut M6	141-0106-001-04D	1				
2-18	Bushing	130-00730-01C	1				
2-19	End cap	130-00839-01C	1				
2-20							

SPARE PARTS



PART	DESCRIPTION	PART NUMBER	QTY.	PART	DESCRIPTION	PART NUMBER	QTY.
2-2-1	Wheel tube	3202-00174-44P	1				
2-2-2	Wheel support tube end cap	130-00492-01C	1				
2-2-3	Wheel support	130-00735-01C	1				
2-2-4	Screw Ø4.8x14	140-1783-002-04D	3				
2-2-5	Hex bolt M6x70mm	140-0306-041-04D	1				
2-2-6	Ratchet for wheel strap	3509-00318-16C	1				
2-2-7	Wheel strap 492mm	130-00687-01C	1				
2-2-8	Strap pad	130-00637-16C	1				
2-2-9	T-knob	3509-00319-01C	1				
2-2-10							
2-2-11							
2-2-12							
2-2-13							
2-2-14							
2-2-15							
2-2-16							
2-2-17							
2-2-18							
2-2-19							
2-2-20							

SPARE PARTS



PART	DESCRIPTION	PART NUMBER	QTY.	PART	DESCRIPTION	PART NUMBER	QTY.
3-1	Vertical frame	3203-00126-44P	1				
3-2	Bushing	130-00820-01C	1				
3-3	Carriage bolt M6x55mm	140-0106-023-04D	1				
3-4	Carriage bolt M6x62mm	140-0106-026-04D	1				
3-5	Washer Ø6.5xØ16	142-1065-004-04D	2				
3-6	Nylock nut M6	141-0106-001-04D	1				
3-7	Screw cap M6	130-00458-01C	1				
3-8	T-knob	3509-00319-01C	1				
3-9	Clamp assembly		2				
3-10							
3-11							
3-12							
3-13							
3-14							
3-15							
3-16							
3-17							
3-18							
3-19							
3-20							

