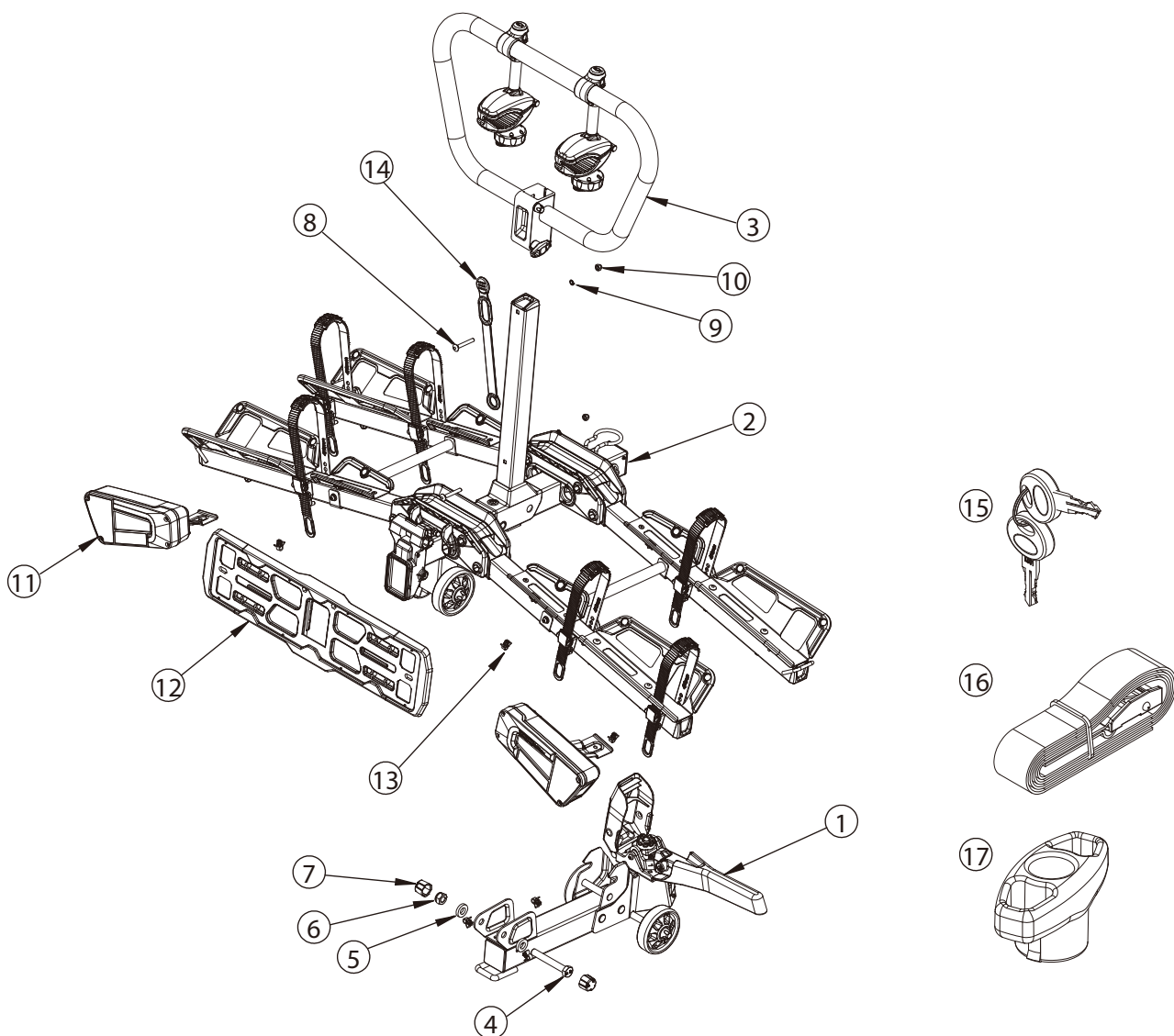
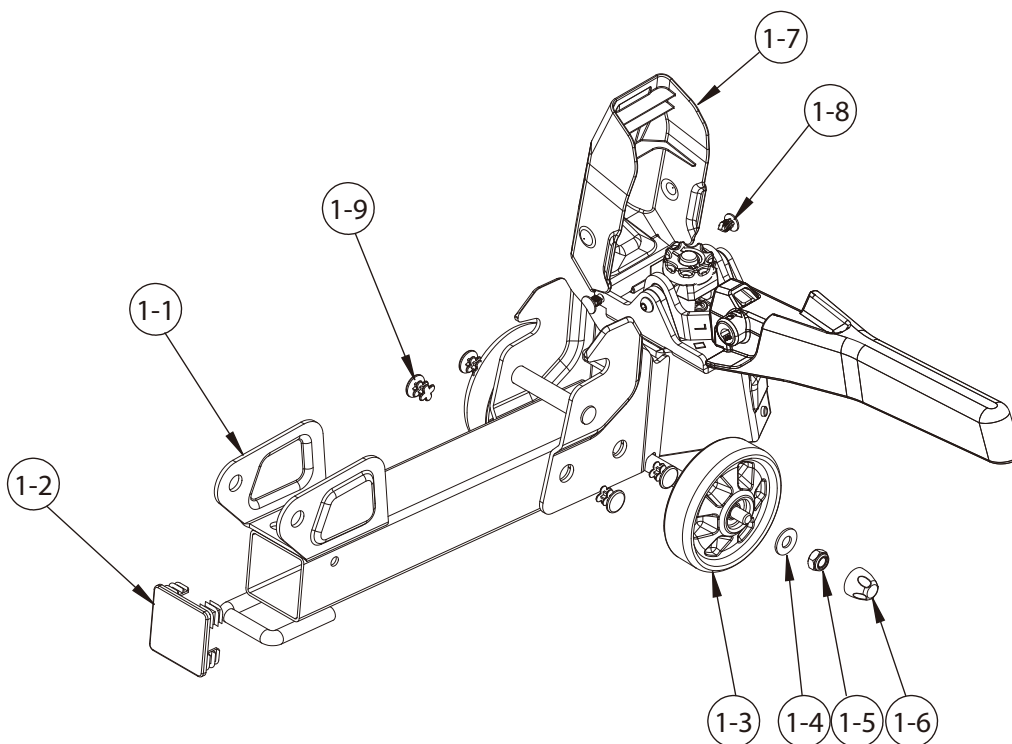


SPARE PARTS



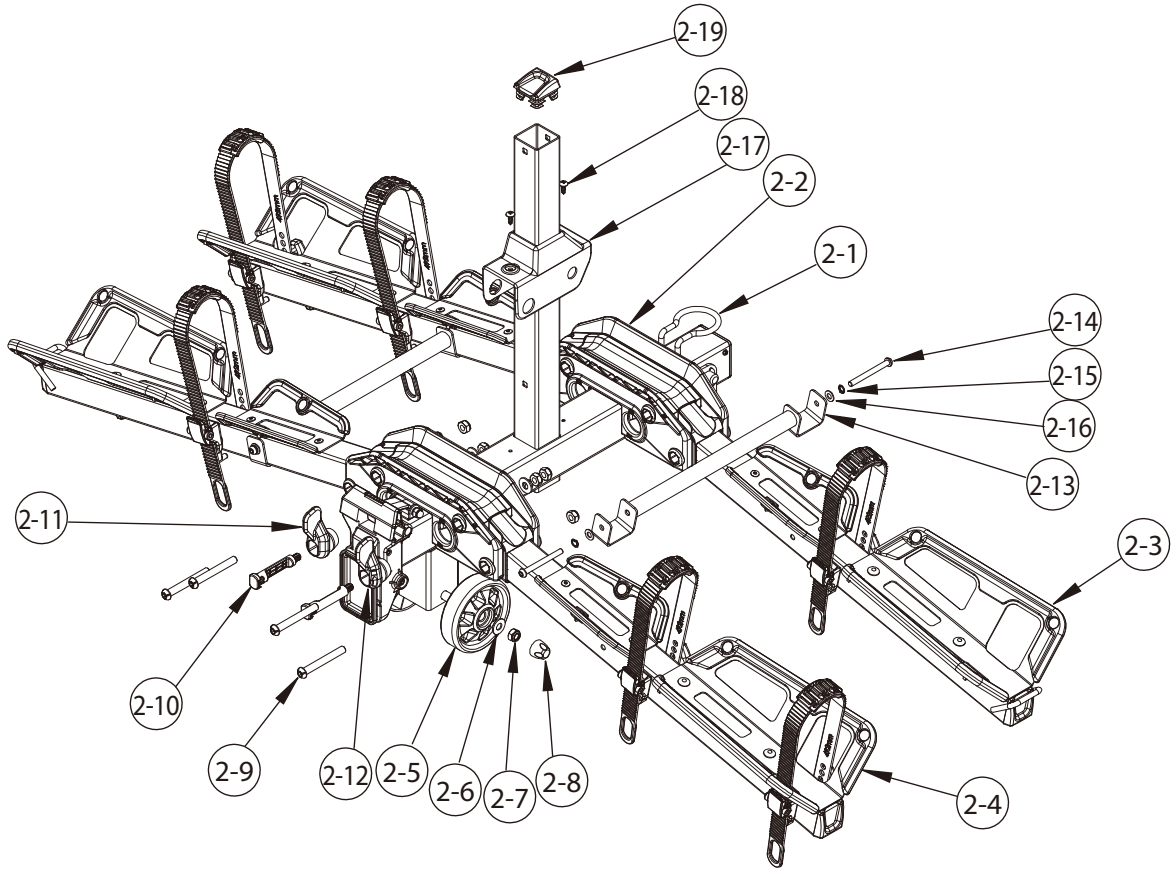
PART	DESCRIPTION	PART NUMBER	QTY.	PART	DESCRIPTION	PART NUMBER	QTY.
1	Foot assembly		1	16	Safety strap	3522-00072-03C-01	1
2	Platform assembly		1	17	T-wrench	132-00022-05C	1
3	Top frame assembly		1	18			
4	Hex bolt M12x80mm	140-0312-001-04D	1	19			
5	Washer Ø13xØ24	142-1130-001-04D	2	20			
6	Nylock nut M12	141-0112-001-04D	1	21			
7	Screw cap Ø3/4"	130-00019-01C	1	22			
8	Carriage bolt M6x45mm	140-0106-055-04D	2	23			
9	Spring washer M6	142-2006-001-04D	2	24			
10	Cap nut M6	141-1406-001-04D	2	25			
11	Light assembly		1	26			
12	License plate holder	3508-00455-01C	1	27			
13	Cable clip	130-00838-01C	8	28			
14	Storage strap	130-00762-16C	1	29			
15	Key	147-01905-99D	2	30			

SPARE PARTS



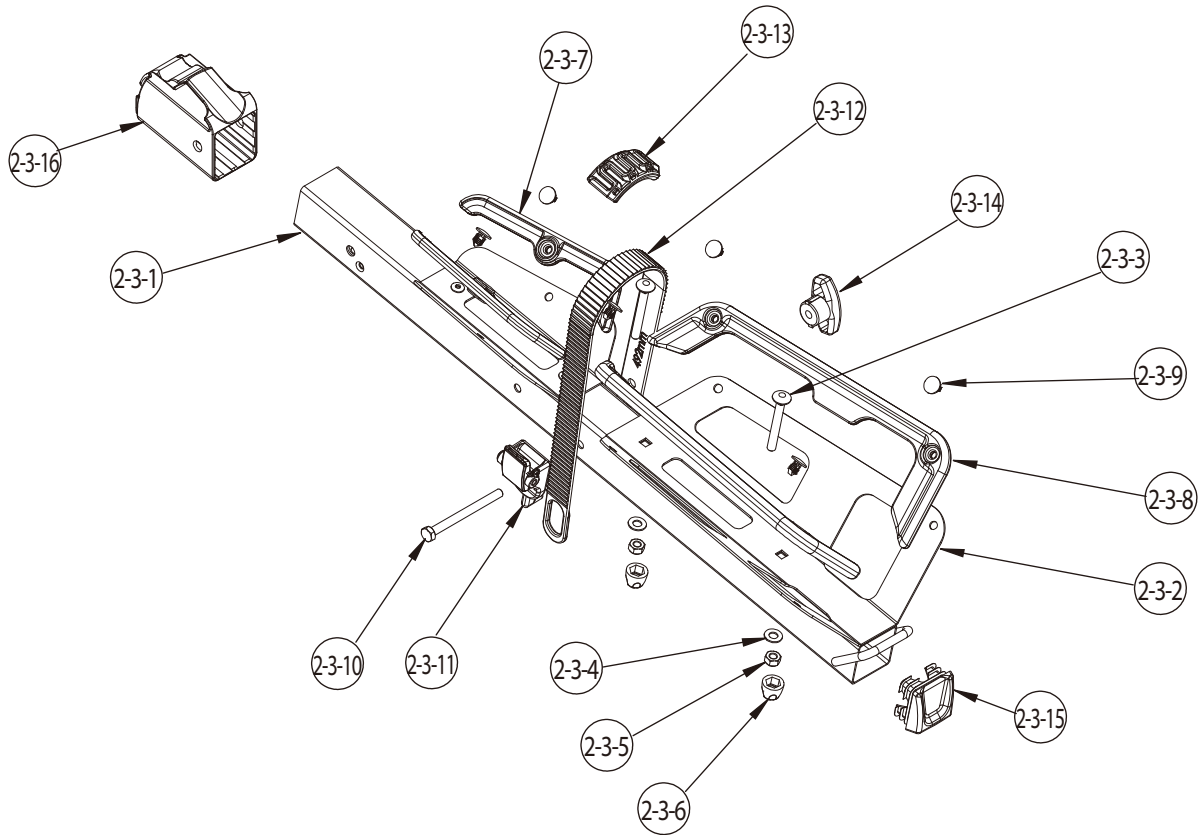
PART	DESCRIPTION	PART NUMBER	QTY.	PART	DESCRIPTION	PART NUMBER	QTY.
1-1	Foot assembly		1				
1-2	Square cap 50mm	130-00227-01C	1				
1-3	Wheel	130-00857-01C	2				
1-4	Washer Ø8.5xØ19	142-1085-003-04D	2				
1-5	Nylock nut M8	141-0108-001-04D	2				
1-6	Screw cap M8	130-00459-01C	2				
1-7	Cover	3508-00834-99C	1				
1-8	Plastic pin	130-00653-01C	2				
1-9	Cap Ø5/8"	130-00011-01C	4				
1-10							
1-11							
1-12							
1-13							
1-14							
1-15							

SPARE PARTS



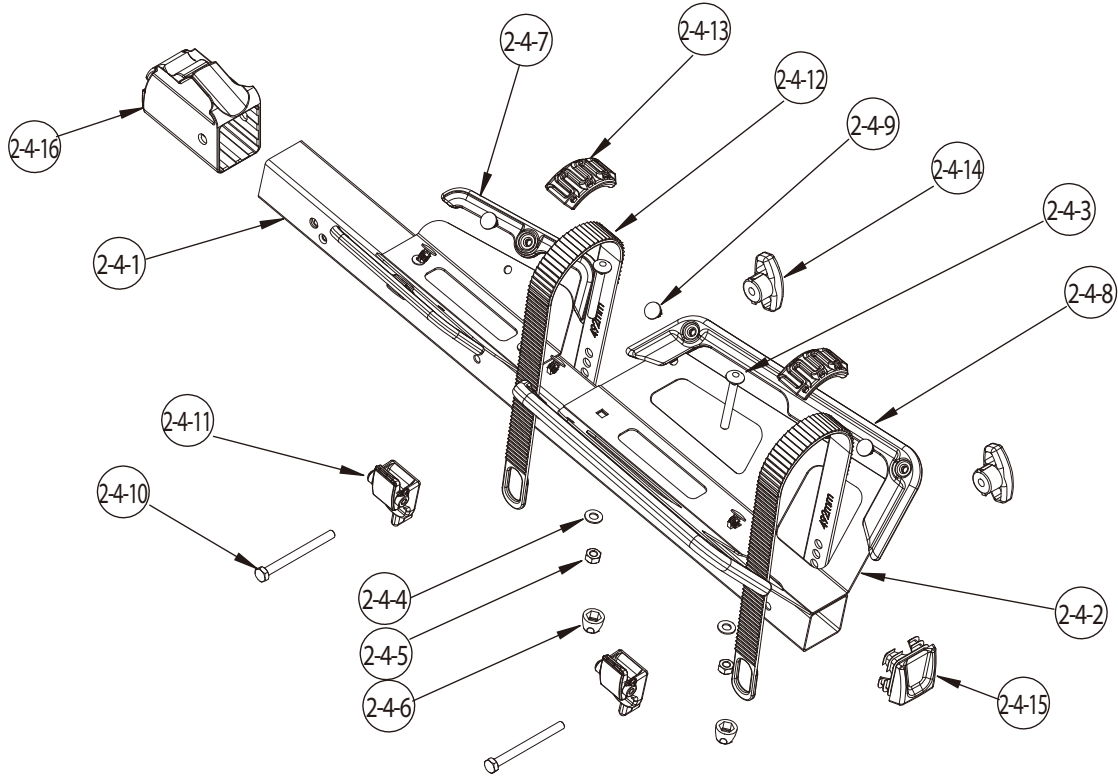
PART	DESCRIPTION	PART NUMBER	QTY.	PART	DESCRIPTION	PART NUMBER	QTY.
2-1	Folding system assembly		1				
2-2	Wheel support cover	130-00491-01C	2				
2-3	Wheel support assembly		2				
2-4	Wheel support assembly		2				
2-5	Wheel	130-00857-16C	2				
2-6	Washer Ø8.5xØ19	142-1085-003-04D	4				
2-7	Nylock nut M8	141-0108-001-04D	12				
2-8	Screw cap M8	130-00459-01C	2				
2-9	Screw M8x65m	140-1108-022-04D	8				
2-10	Pin	118-00176-00	2				
2-11	Wheel tube handle(L)	130-00724-16C	1				
2-12	Wheel tube handle(R)	130-00723-16C	1				
2-13	Side handle	3203-00132-49P	2				
2-14	Screw M6x60mm	140-1106-027-04D	4				
2-15	Washer Ø6.5xØ13	142-1065-003-04D	4				
2-16	Spring washer M6	142-2006-001-04D	4				
2-17	Bushing	130-00730-01C	1				
2-18	Screw Ø4.8x14	140-1783-002-04D	2				
2-19	End cap	130-00839-01C	1				
2-20							

SPARE PARTS



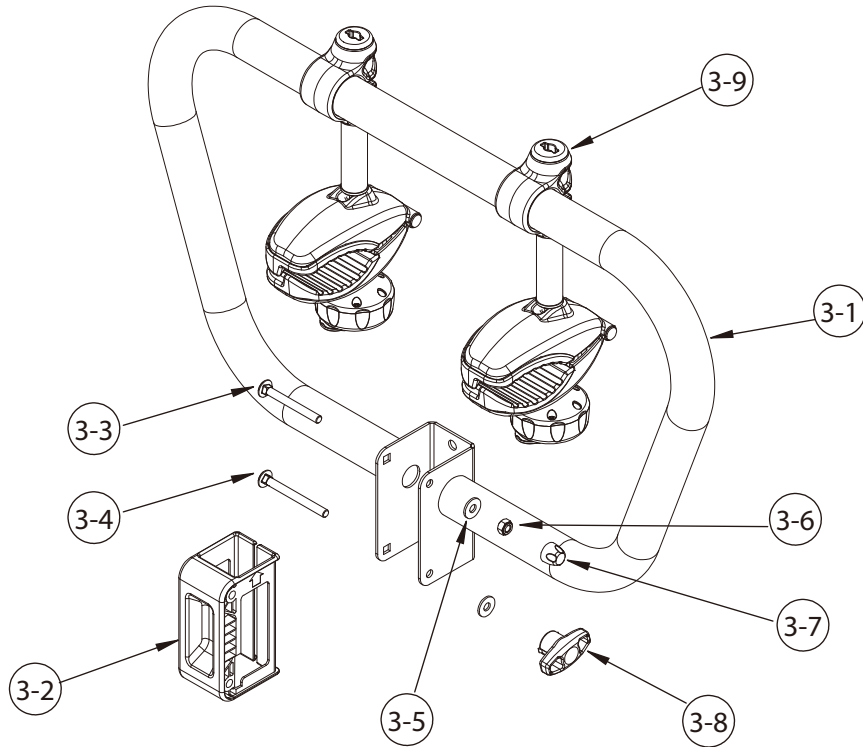
PART	DESCRIPTION	PART NUMBER	QTY.	PART	DESCRIPTION	PART NUMBER	QTY.
2-3-1	Wheel tube		1				
2-3-2	Wheel support	3209-00406-04P	1				
2-3-3	Carriage bolt M6x50mm	140-0106-022-04D	2				
2-3-4	Washer Ø6.5xØ13	142-1065-003-04D	2				
2-3-5	Nylock nut M6	141-0106-001-04D	2				
2-3-6	Screw cap M6	130-00458-01C	2				
2-3-7	Wheel protector (S)	130-00841-01C	2				
2-3-8	Wheel protector (B)	130-00840-01C	2				
2-3-9	Plastic pin	130-00653-01C	6				
2-3-10	Hex bolt M6x70mm	140-0306-041-04D	1				
2-3-11	Ratchet for wheel strap	3509-00318-16C	1				
2-3-12	Wheel strap 492mm	130-00687-01C	1				
2-3-13	Strap pad	130-00637-16C	1				
2-3-14	T-knob	3509-00319-01C	1				
2-3-15	End cap	130-00839-01C	1				
2-3-16	Wheel support tube end cap	130-00492-01C	1				
2-3-17							
2-3-18							
2-3-19							
2-3-20							

SPARE PARTS



PART	DESCRIPTION	PART NUMBER	QTY.	PART	DESCRIPTION	PART NUMBER	QTY.
2-4-1	Wheel tube		1				
2-4-2	Wheel support	3209-00406-04P	1				
2-4-3	Carriage bolt M6x50mm	140-0106-022-04D	2				
2-4-4	Washer Ø6.5xØ13	142-1065-003-04D	2				
2-4-5	Nylock nut M6	141-0106-001-04D	2				
2-4-6	Screw cap M6	130-00458-01C	2				
2-4-7	Wheel protector (S)	130-00841-01C	2				
2-4-8	Wheel protector (B)	130-00840-01C	2				
2-4-9	Plastic pin	130-00653-01C	6				
2-4-10	Hex bolt M6x70mm	140-0306-041-04D	2				
2-4-11	Ratchet for wheel strap	3509-00318-16C	2				
2-4-12	Wheel strap 492mm	130-00687-01C	2				
2-4-13	Strap pad	130-00637-16C	2				
2-4-14	T-knob	3509-00319-01C	2				
2-4-15	End cap	130-00839-01C	1				
2-4-16	Wheel support tube end cap	130-00492-01C	1				
2-4-17							
2-4-18							
2-4-19							
2-4-20							

SPARE PARTS



PART	DESCRIPTION	PART NUMBER	QTY.	PART	DESCRIPTION	PART NUMBER	QTY.
3-1	Vertical frame	3203-00131-44P	1				
3-2	Bushing	130-00820-01C	1				
3-3	Carriage bolt M6x55mm	140-0106-023-04D	1				
3-4	Carriage bolt M6x62mm	140-0106-026-04D	1				
3-5	Washer Ø6.5xØ16	142-1065-004-04D	2				
3-6	Nylock nut M6	141-0106-001-04D	1				
3-7	Screw cap M6	130-00458-01C	1				
3-8	T-knob	3509-00319-01C	1				
3-9	Clamp assembly		2				
3-10							
3-11							
3-12							
3-13							
3-14							
3-15							
3-16							
3-17							
3-18							
3-19							
3-20							

