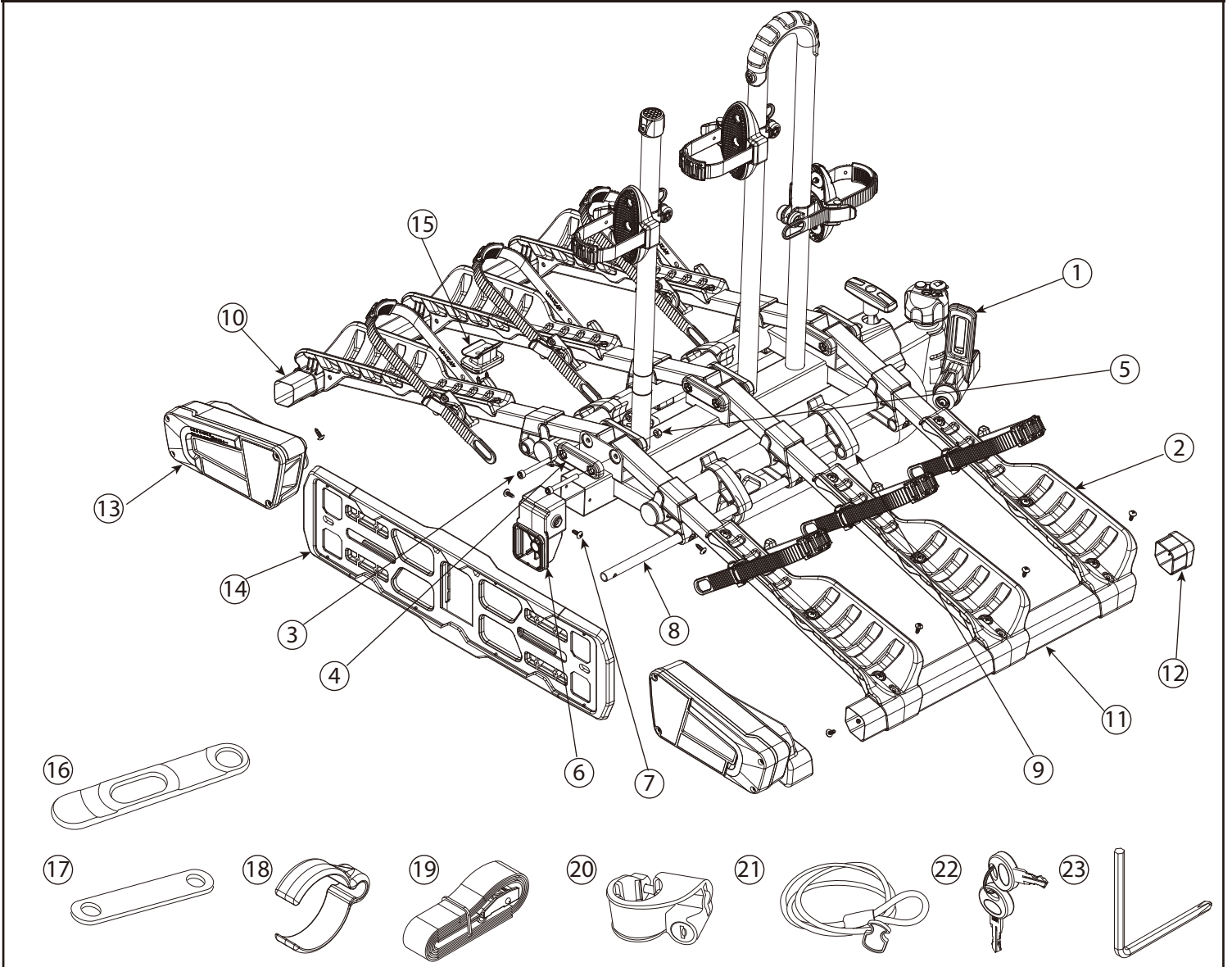
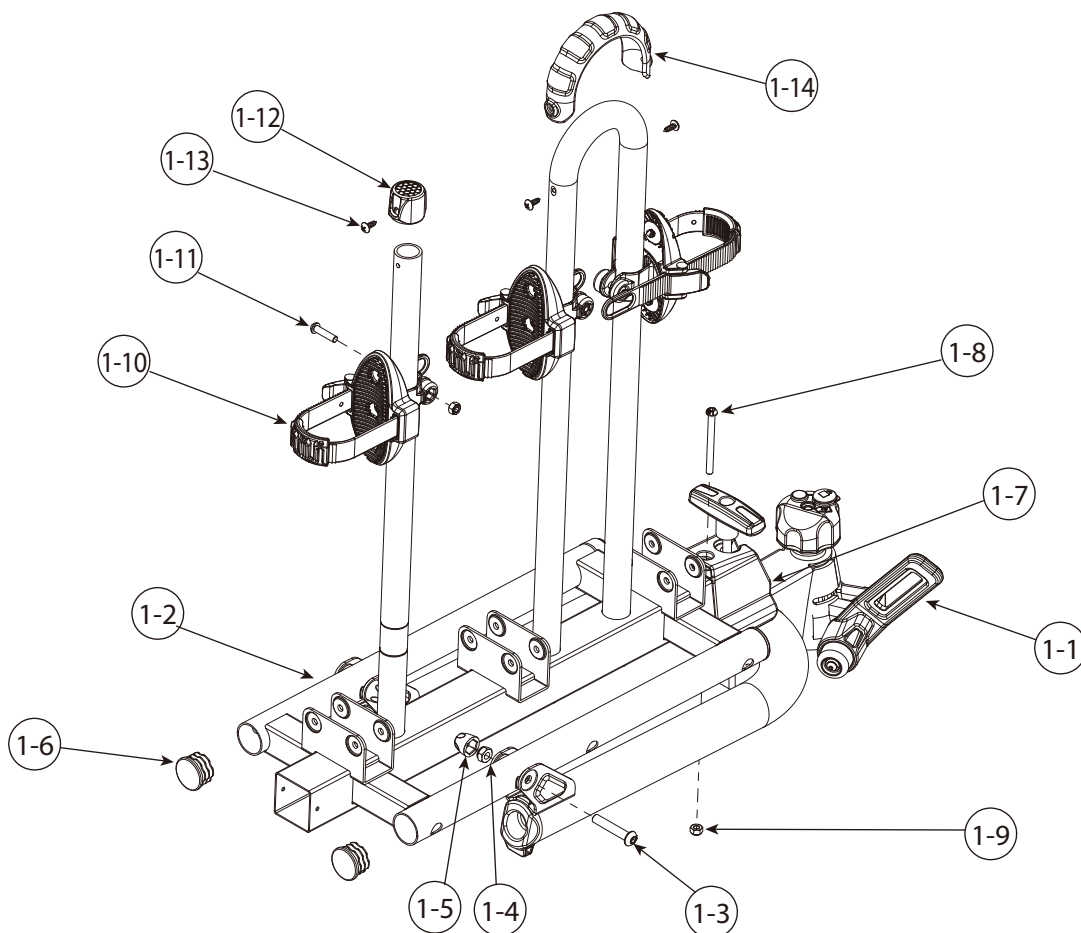


SPARE PARTS



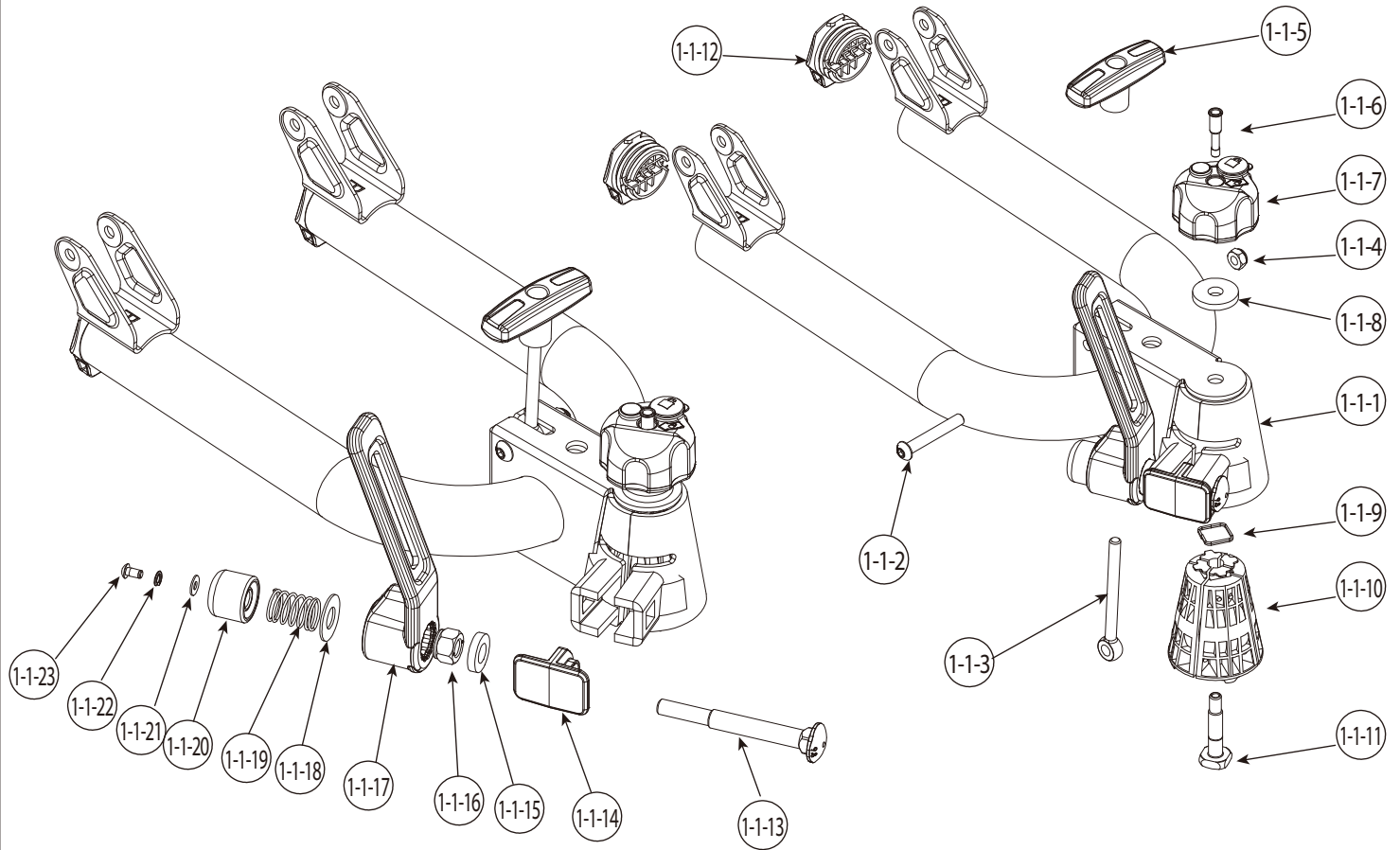
| PART | DESCRIPTION | PART NUMBER | QTY. | PART | DESCRIPTION | PART NUMBER | QTY. |
|------|-----------------------------|------------------|------|------|----------------------|-------------------|------|
| 1 | Foot assembly | | 1 | 16 | Storage strap | 130-00751-16C | 1 |
| 2 | Wheel support tube assembly | | 6 | 17 | Cable strap | 130-00752-01C | 2 |
| 3 | Screw M6x50mm | 140-0906-006-04D | 6 | 18 | C-cable clip | 130-00755-01C | 4 |
| 4 | Bracket fixing plate cover | 130-00698-01C | 6 | 19 | Safety strap | 3522-00072-03C-01 | 1 |
| 5 | Nylock nut M6 | 141-0106-001-04D | 6 | 20 | Clip 1.0" | 3509-00245-16C | 1 |
| 6 | License plate holder clip | 130-00793-01C | 1 | 21 | Locking cable 1400mm | 3510-00054-99C | 1 |
| 7 | Screw Ø4.8x14 | 140-1783-002-04D | 14 | 22 | Key | 147-01905-99D | 2 |
| 8 | Locking hook tube | 3201-00394-04P | 2 | 23 | Allen key(4.0) | 144-00009-06D | 1 |
| 9 | Safety clip | 130-00418-16C | 4 | 24 | | | |
| 10 | Side tube (L) | 3420-00018-44P | 1 | 25 | | | |
| 11 | Side tube (R) | 3420-00017-44P | 1 | 26 | | | |
| 12 | End cap | 130-00737-01C | 2 | 27 | | | |
| 13 | Light assembly | | 1 | 28 | | | |
| 14 | License plate holder | 3508-00455-01C | 1 | 29 | | | |
| 15 | License plate holder clip | 130-00722-01C | 1 | 30 | | | |

SPARE PARTS



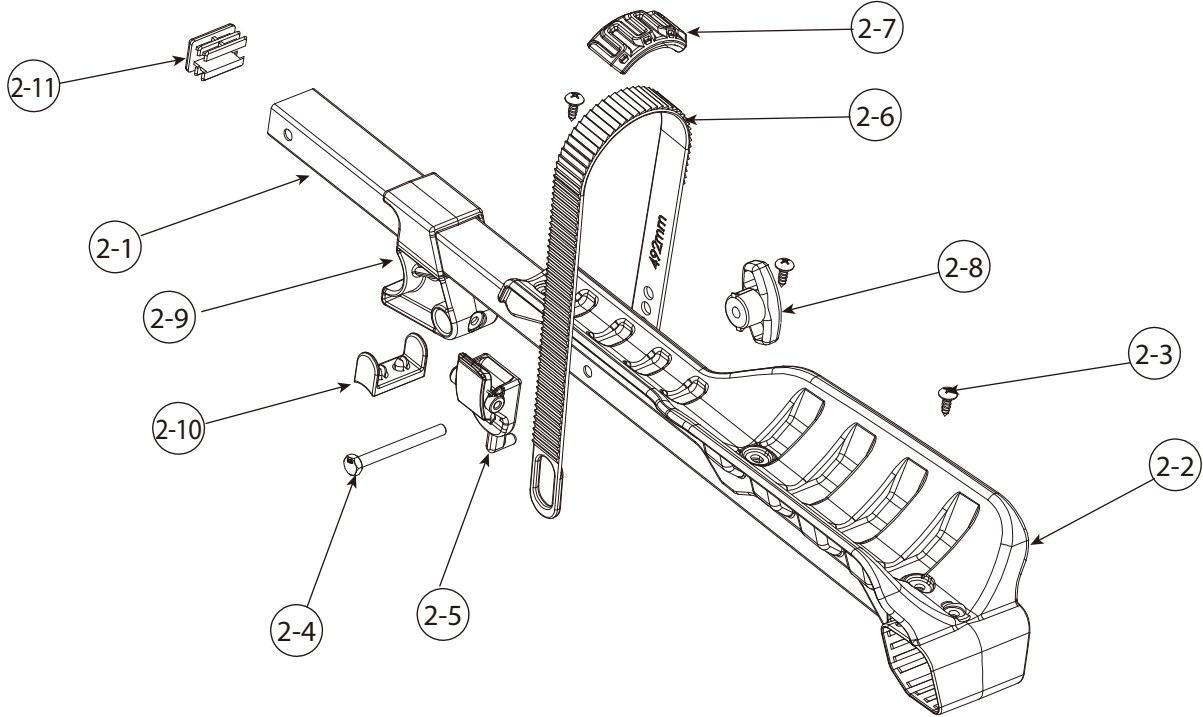
| PART | DESCRIPTION | PART NUMBER | QTY. | PART | DESCRIPTION | PART NUMBER | QTY. |
|------|------------------------|------------------|------|------|-------------|-------------|------|
| 1-1 | Foot assembly | | 1 | | | | |
| 1-2 | Welding assembly | 3206-00075-04P | 1 | | | | |
| 1-3 | Screw M8x45mm | 140-1108-016-04D | 2 | | | | |
| 1-4 | Nylock nut M8 | 141-0108-001-04D | 2 | | | | |
| 1-5 | Screw cap M8 | 130-00459-01C | 2 | | | | |
| 1-6 | End cap | 130-00767-01C | 4 | | | | |
| 1-7 | Platform top cap | 130-00719-01C | 1 | | | | |
| 1-8 | Screw M6x65mm | 140-1106-029-04D | 1 | | | | |
| 1-9 | Nylock nut M6 | 141-0106-001-04D | 4 | | | | |
| 1-10 | Rotate cradle assembly | 3509-00326-16C | 3 | | | | |
| 1-11 | Screw M6x25mm | 140-1106-005-04D | 3 | | | | |
| 1-12 | End cap | 130-00681-01C | 1 | | | | |
| 1-13 | Screw Ø4.8x14 | 140-1783-002-04D | 3 | | | | |
| 1-14 | Plastic cover | 130-00608-16C | 1 | | | | |
| 1-15 | | | | | | | |
| 1-16 | | | | | | | |
| 1-17 | | | | | | | |
| 1-18 | | | | | | | |
| 1-19 | | | | | | | |
| 1-20 | | | | | | | |

SPARE PARTS



| PART | DESCRIPTION | PART NUMBER | QTY. | PART | DESCRIPTION | PART NUMBER | QTY. |
|--------|---------------------------|------------------|------|--------|-------------------|------------------|------|
| 1-1-1 | Welding assembly | 3205-00187-04P | 1 | 1-1-21 | Washer Ø5.3xØ12.8 | 142-1053-001-04D | 1 |
| 1-1-2 | Screw M8x55mm | 140-1108-006-04D | 1 | 1-1-22 | Spring washer M5 | 142-2005-001-04D | 1 |
| 1-1-3 | Eye-bolt M8x95mm | 140-2008-002-04D | 1 | 1-1-23 | Screw M5x10mm | 140-1105-004-04D | 1 |
| 1-1-4 | Nylock nut M8 | 141-0108-001-04D | 1 | 1-1-24 | | | |
| 1-1-5 | T-knob | 3503-00126-16C | 1 | 1-1-25 | | | |
| 1-1-6 | Retainer | 3509-00332-99C | 1 | 1-1-26 | | | |
| 1-1-7 | Locking knob M10 | 3503-00127-99C | 1 | 1-1-27 | | | |
| 1-1-8 | Washer Ø10.5xØ32 | 142-1105-003-04D | 1 | 1-1-28 | | | |
| 1-1-9 | Square spring | 145-00055-13D | 1 | 1-1-29 | | | |
| 1-1-10 | Conical clamps | 118-00146-00 | 4 | 1-1-30 | | | |
| 1-1-11 | Square head bolt M10x50mm | 140-0510-002-04D | 1 | | | | |
| 1-1-12 | End cap | 130-00705-01C | 2 | | | | |
| 1-1-13 | Carriage bolt M12x105mm | 140-0112-008-04D | 1 | | | | |
| 1-1-14 | Conic protector | 130-00609-01C | 1 | | | | |
| 1-1-15 | Washer Ø13xØ25 | 142-1130-005-04D | 1 | | | | |
| 1-1-16 | Nylock nut M12 | 141-0112-003-04D | 1 | | | | |
| 1-1-17 | Intergrated spanner | 3209-00369-16C | 1 | | | | |
| 1-1-18 | Washer Ø14.2xØ30 | 142-1141-001-04D | 1 | | | | |
| 1-1-19 | Spring | 145-00034-13D | 1 | | | | |
| 1-1-20 | Bushing | 130-00728-01C | 1 | | | | |

SPARE PARTS



| PART | DESCRIPTION | PART NUMBER | QTY. | PART | DESCRIPTION | PART NUMBER | QTY. |
|------|-------------------------|------------------|------|------|-------------|-------------|------|
| 2-1 | Wheel support tube | 3202-00111-44P | 1 | | | | |
| 2-2 | Wheel suport | 130-00736-01C | 1 | | | | |
| 2-3 | Screw Ø4.8x14 | 140-1783-002-04D | 3 | | | | |
| 2-4 | Hex bolt M6x60mm | 140-0306-034-04D | 1 | | | | |
| 2-5 | Ratchet for wheel strap | 3509-00318-16C | 1 | | | | |
| 2-6 | Wheel strap 492mm | 130-00687-01C | 1 | | | | |
| 2-7 | Strap pad | 130-00637-16C | 1 | | | | |
| 2-8 | T-knob M6 | 3509-00319-01C | 1 | | | | |
| 2-9 | Locking hook | 30-00697-01C | 1 | | | | |
| 2-10 | Pad | 130-00606-01C | 1 | | | | |
| 2-11 | End cap | 130-00616-01C | 1 | | | | |
| 2-12 | | | | | | | |
| 2-13 | | | | | | | |
| 2-14 | | | | | | | |
| 2-15 | | | | | | | |
| 2-16 | | | | | | | |
| 2-17 | | | | | | | |
| 2-18 | | | | | | | |
| 2-19 | | | | | | | |
| 2-10 | | | | | | | |

