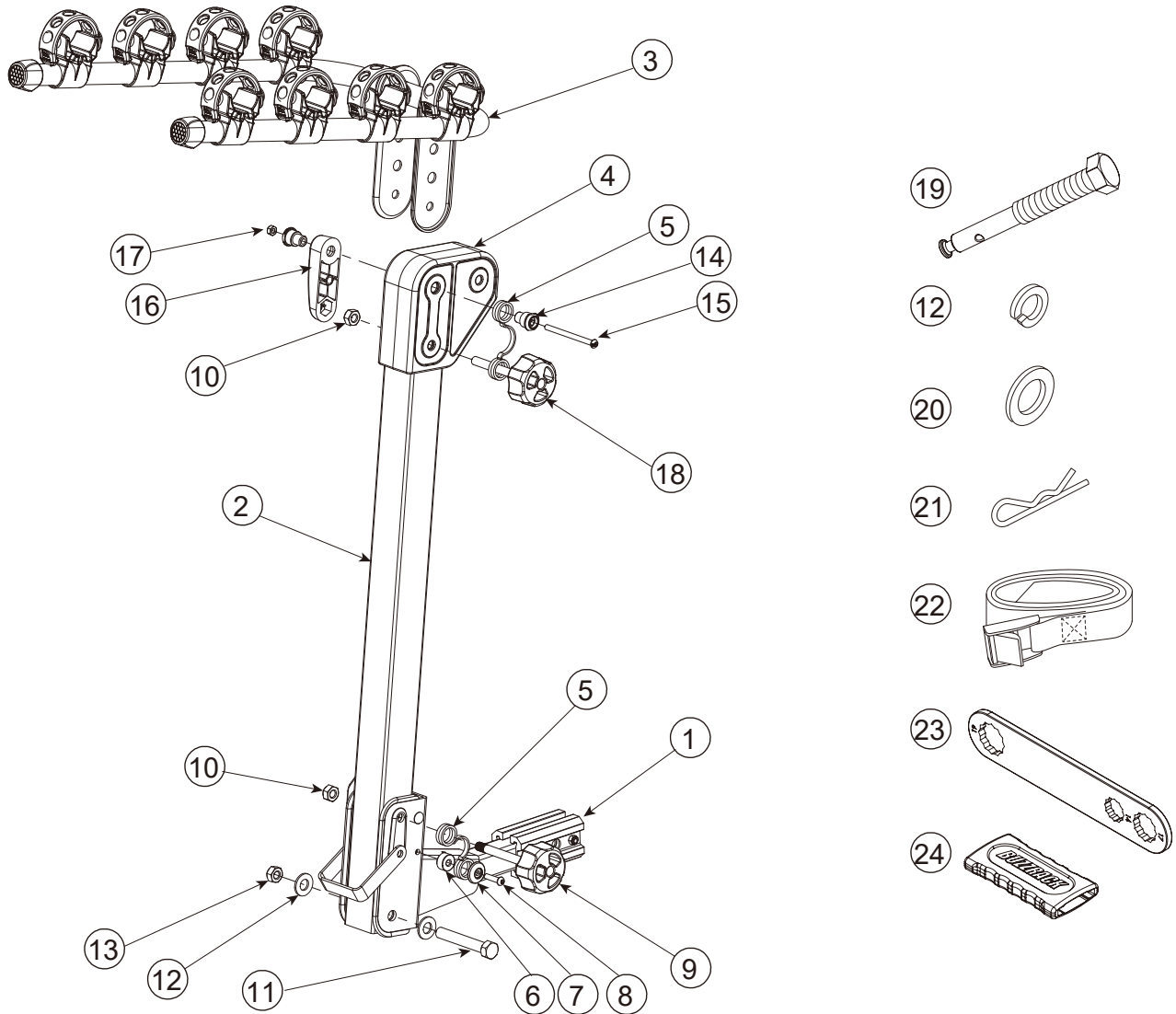
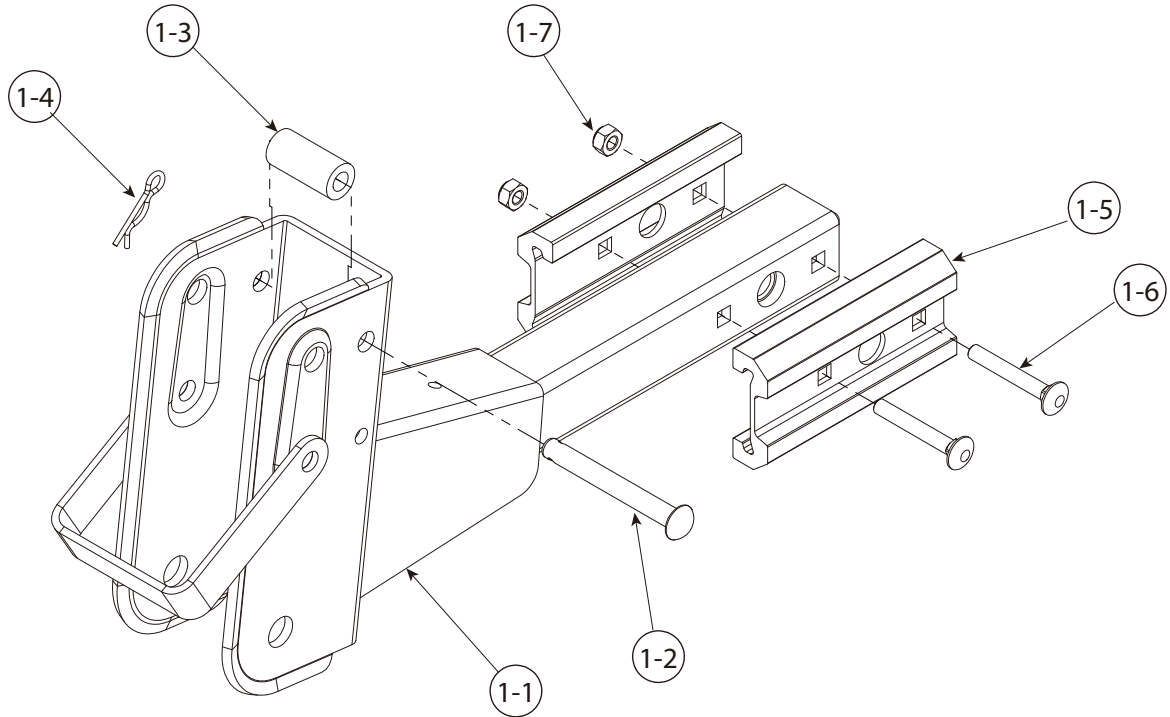


SPARE PARTS



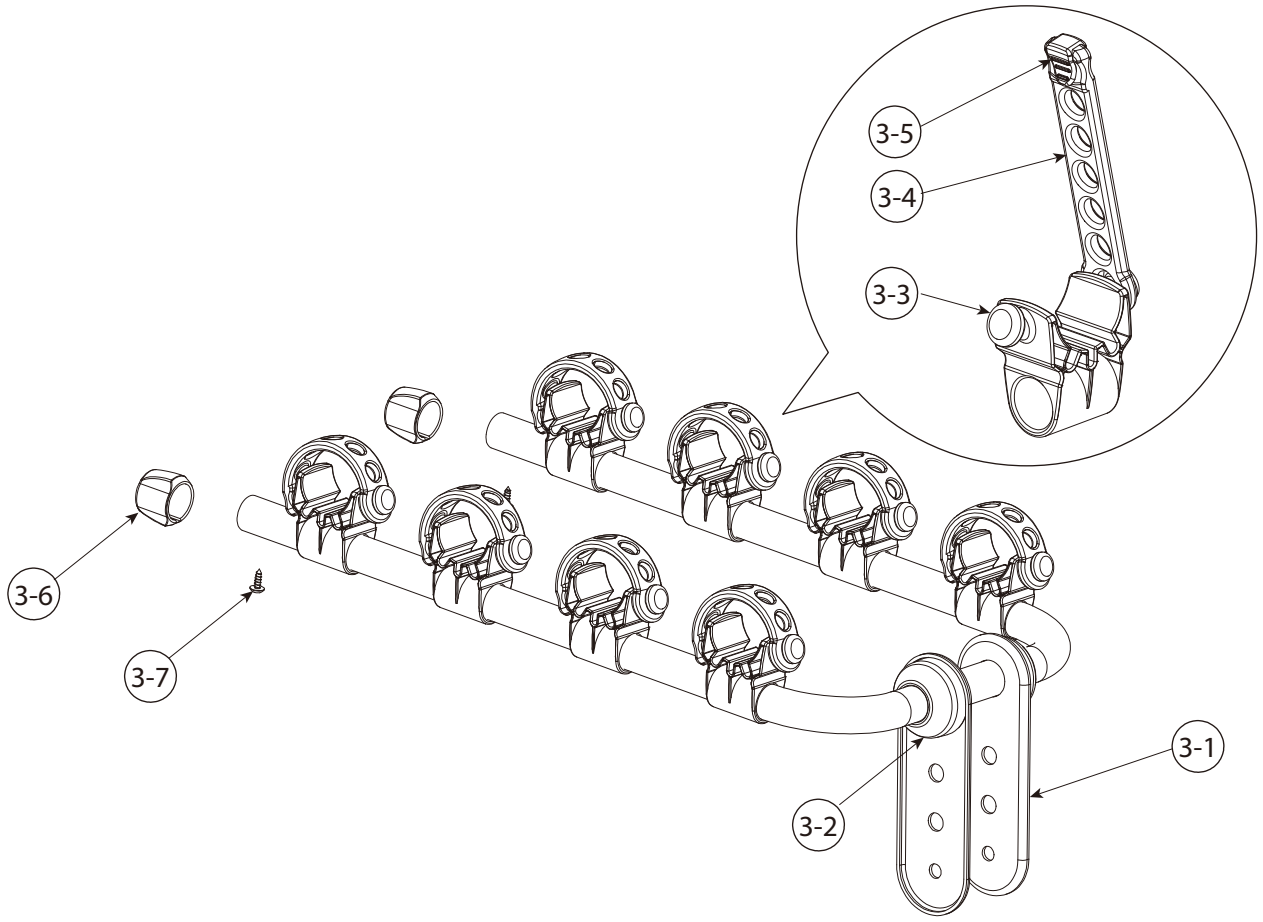
| PART | DESCRIPTION | PART NUMBER | QTY. | PART | DESCRIPTION | PART NUMBER | QTY. |
|------|---------------------------|------------------|------|------|---------------------------|------------------|------|
| 1 | Foot assembly | | 1 | 16 | Nut cap | 130-00485-01C | 1 |
| 2 | Vertical tube assembly | | 1 | 17 | Nylock nut M6 | 141-0106-001-04D | 1 |
| 3 | Top frame assembly | | 1 | 18 | Knob M10x100.5mm | 3503-00117-16C | 1 |
| 4 | Cover | 130-00472-01C | 1 | 19 | Hex bolt 1/2"-13uncx118mm | 140-0440-008-04D | 1 |
| 5 | Knob strap | 130-00473-16C | 2 | 20 | Spring washer 1/2" | 142-2045-001-04D | 1 |
| 6 | Plastic pad | 130-00154-01C | 1 | 21 | R-pin | 143-00003-04D | 1 |
| 7 | Plastic washer | 130-00445-01C | 1 | 22 | Safety strap | 3522-00197-03C | 2 |
| 8 | Screw M6x25mm | 140-1106-005-04D | 1 | 23 | Wrench | 3344-00009-00P | 1 |
| 9 | Knob M10x108.5mm | 3503-00096-16C | 1 | 24 | Wrench pad | 130-00513-01C | 1 |
| 10 | Nylock nut M10 | 141-0110-001-04D | 2 | 25 | | | |
| 11 | Hex bolt 1/2"-13UNCx3.25" | 140-0340-004-04D | 1 | 26 | | | |
| 12 | Washer Ø13.5xØ27 | 142-1135-003-04D | 3 | 27 | | | |
| 13 | Nylock nut 1/2"-13UNC | 141-0140-001-04D | 1 | 28 | | | |
| 14 | Screw Cap | 118-00093-04D | 2 | 29 | | | |
| 15 | Screw M6x82mm | 140-1106-022-04D | 1 | 30 | | | |

SPARE PARTS



| PART | DESCRIPTION | PART NUMBER | QTY. | PART | DESCRIPTION | PART NUMBER | QTY. |
|------|-------------------------|------------------|------|------|-------------|-------------|------|
| 1-1 | Foot welding | | 1 | | | | |
| 1-2 | Button head Pin | 143-00012-04D | 1 | | | | |
| 1-3 | Rubber tube | 131-00025-01C | 1 | | | | |
| 1-4 | R-Pin | 143-00013-04D | 1 | | | | |
| 1-5 | Adapter | 3209-00356-00P | 2 | | | | |
| 1-6 | Carriage bolt M6 x 43mm | 140-0106-016-04D | 2 | | | | |
| 1-7 | Nylock nut M6 | 141-0106-001-04D | 2 | | | | |
| 1-8 | | | | | | | |
| 1-9 | | | | | | | |
| 1-10 | | | | | | | |
| 1-11 | | | | | | | |
| 1-12 | | | | | | | |
| 1-13 | | | | | | | |
| 1-14 | | | | | | | |
| 1-15 | | | | | | | |
| 1-16 | | | | | | | |
| 1-17 | | | | | | | |
| 1-18 | | | | | | | |
| 1-19 | | | | | | | |
| 1-20 | | | | | | | |

SPARE PARTS



| PART | DESCRIPTION | PART NUMBER | QTY. | PART | DESCRIPTION | PART NUMBER | QTY. |
|------|-------------------|------------------|------|------|-------------|-------------|------|
| 3-1 | Arm tube welding | 3203-00083-04P | 1 | | | | |
| 3-2 | Cap | 130-00515-01C | 2 | | | | |
| 3-3 | Cradle | 130-00223-01C | 8 | | | | |
| 3-4 | Rubber Strap | 3508-00003-01C | 8 | | | | |
| 3-5 | Strap clip button | 130-00486-05C | 8 | | | | |
| 3-6 | End cap | 130-00681-01C | 2 | | | | |
| 3-7 | Screw Ø4.8x14mm | 140-1783-002-04D | 2 | | | | |
| 3-8 | | | | | | | |
| 3-9 | | | | | | | |
| 3-10 | | | | | | | |
| 3-11 | | | | | | | |
| 3-12 | | | | | | | |
| 3-13 | | | | | | | |
| 3-14 | | | | | | | |
| 3-15 | | | | | | | |
| 3-16 | | | | | | | |
| 3-17 | | | | | | | |
| 3-18 | | | | | | | |
| 3-19 | | | | | | | |
| 3-20 | | | | | | | |