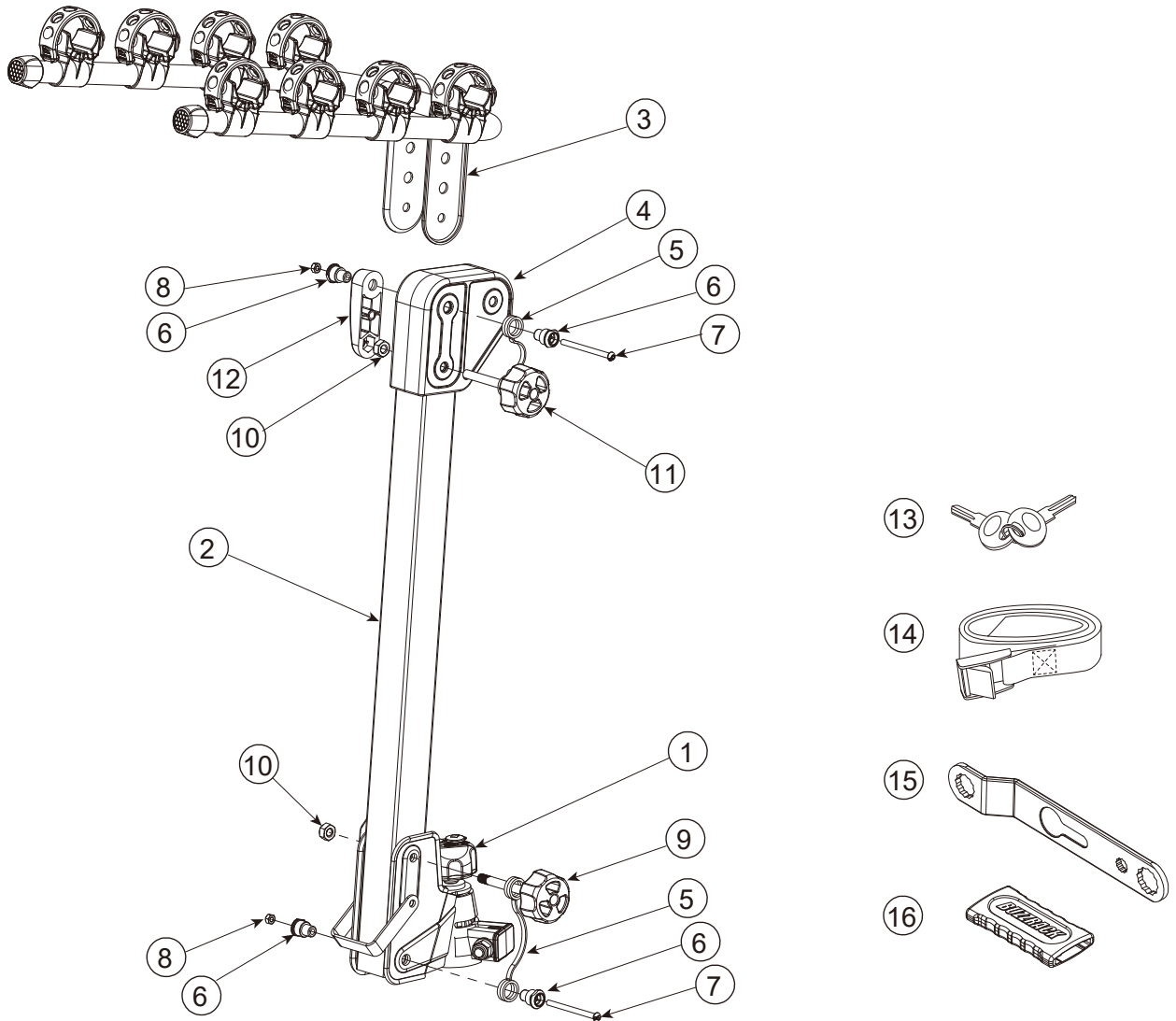
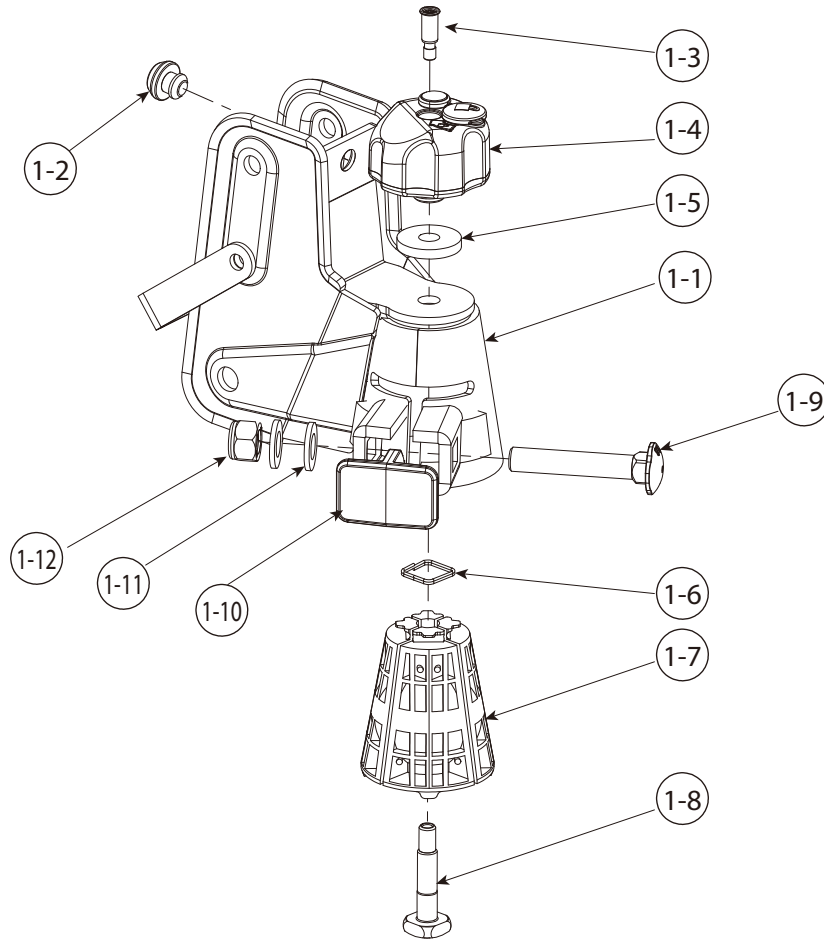


## SPARE PARTS



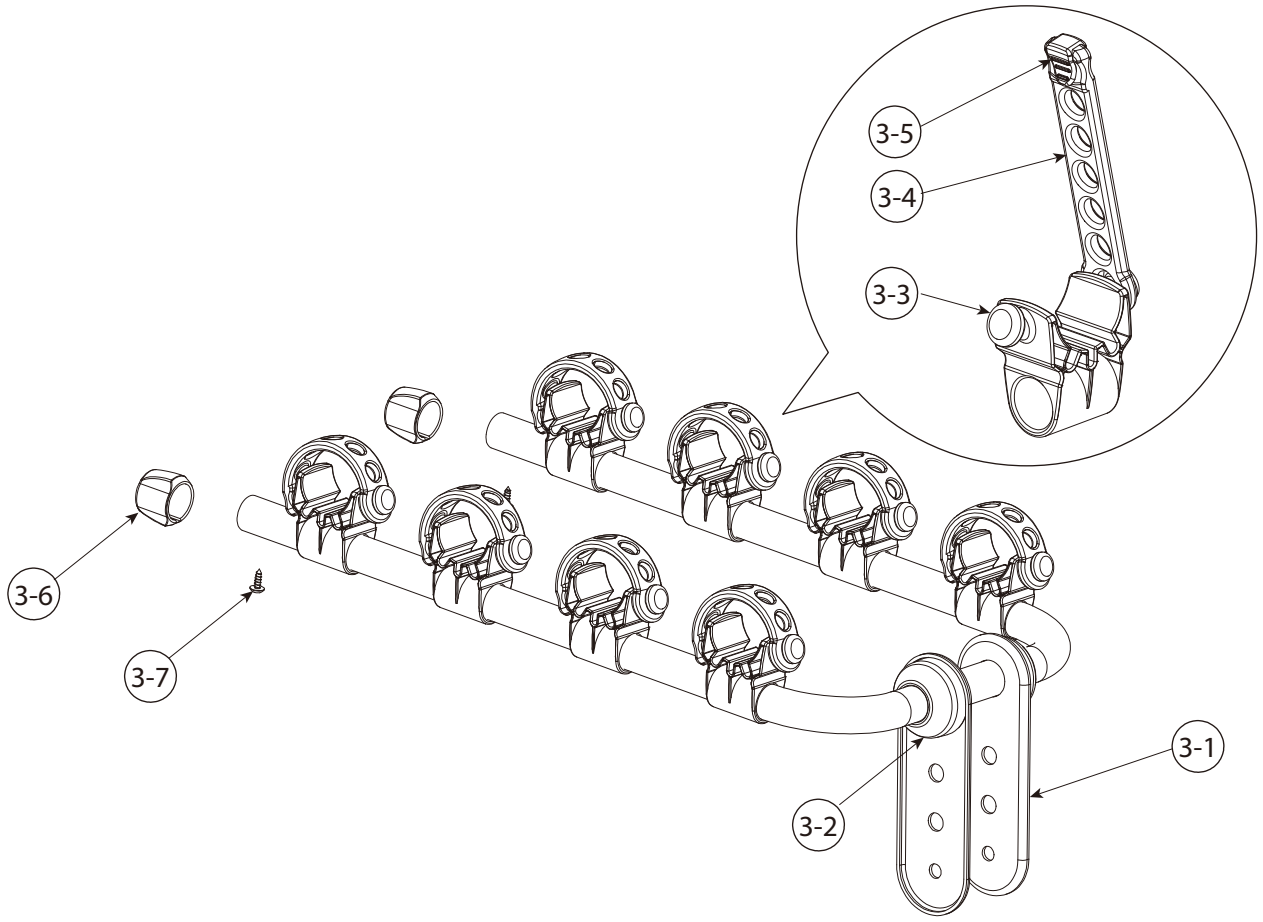
PART	DESCRIPTION	PART NUMBER	QTY.	PART	DESCRIPTION	PART NUMBER	QTY.
1	Foot assembly		1	16	Wrench pad	130-00513-01C	1
2	Vertical tube	3202-00068-04P	1	17			
3	Top frame assembly		1	18			
4	Cover	130-00472-01C	1	19			
5	Knob strap	130-00473-16C	2	20			
6	Screw Cap	118-00093-04D	4	21			
7	Screw M6x82mm	140-1106-022-04D	2	22			
8	Nylock nut M6	141-0106-001-04D	2	23			
9	Knob M10x108.5mm	3503-00096-01C	1	24			
10	Nylock nut M10	141-0110-001-04D	2	25			
11	Knob M10x100.5mm	3503-00117-01C	1	26			
12	Nut cap	130-00485-01C	1	27			
13	Keys	147-01905-99D	2	28			
14	Safety strap	3522-00197-03C	2	29			
15	Wrench	3344-00008-00P	1	30			

## SPARE PARTS



PART	DESCRIPTION	PART NUMBER	QTY.	PART	DESCRIPTION	PART NUMBER	QTY.
1-1	Foot welding	3205-00150-04P	1				
1-2	Rubber pad	130-00818-01C	1				
1-3	Retainer	3509-00332-99C	1				
1-4	Locking kong M10	3503-00127-99C	1				
1-5	Washer Ø10.5xØ32	142-1105-003-04D	1				
1-6	Square spring	145-00055-13D	1				
1-7	Conical clamps	118-00146-00	4				
1-8	Square head bolt M10x50mm	140-0510-002-04D	1				
1-9	Carriage bolt M12x70mm	140-0112-007-04D	1				
1-10	Conic protector	130-00609-01C	1				
1-11	Washer Ø13xØ24	142-1130-001-04D	2				
1-12	Nylock nut M12	141-0112-003-04D	1				
1-13							
1-14							
1-15							
1-16							
1-17							
1-18							
1-19							
1-20							

## SPARE PARTS



PART	DESCRIPTION	PART NUMBER	QTY.	PART	DESCRIPTION	PART NUMBER	QTY.
3-1	Arm tube welding	3203-00083-04P	1				
3-2	Cap	130-00515-01C	2				
3-3	Cradle	130-00223-01C	8				
3-4	Rubber Strap	3508-00003-01C	8				
3-5	Strap clip button	130-00486-16C	8				
3-6	End cap	130-00681-01C	2				
3-7	Screw Ø4.8x14mm	140-1783-002-04D	2				
3-8							
3-9							
3-10							
3-11							
3-12							
3-13							
3-14							
3-15							
3-16							
3-17							
3-18							
3-19							
3-20							