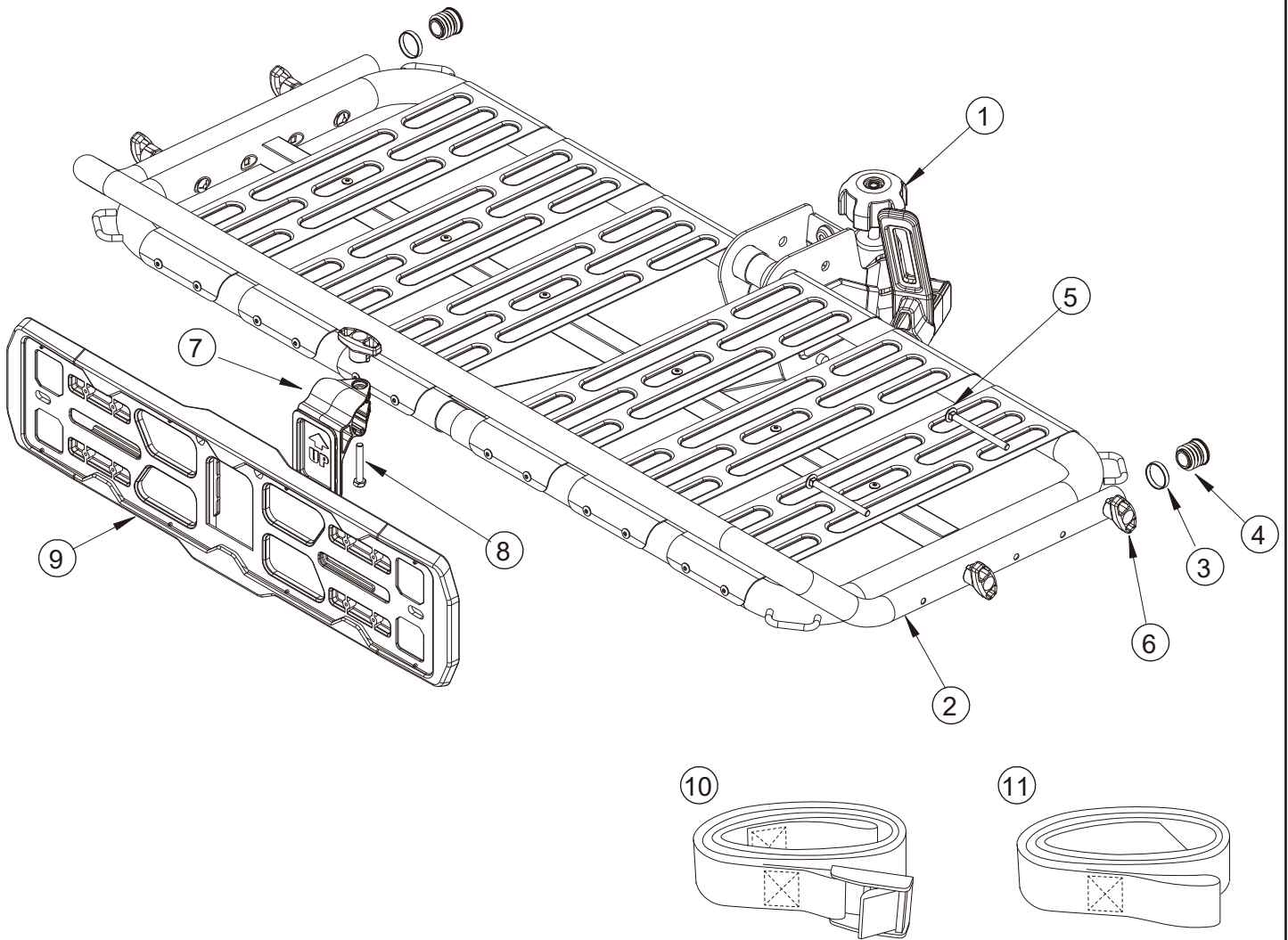
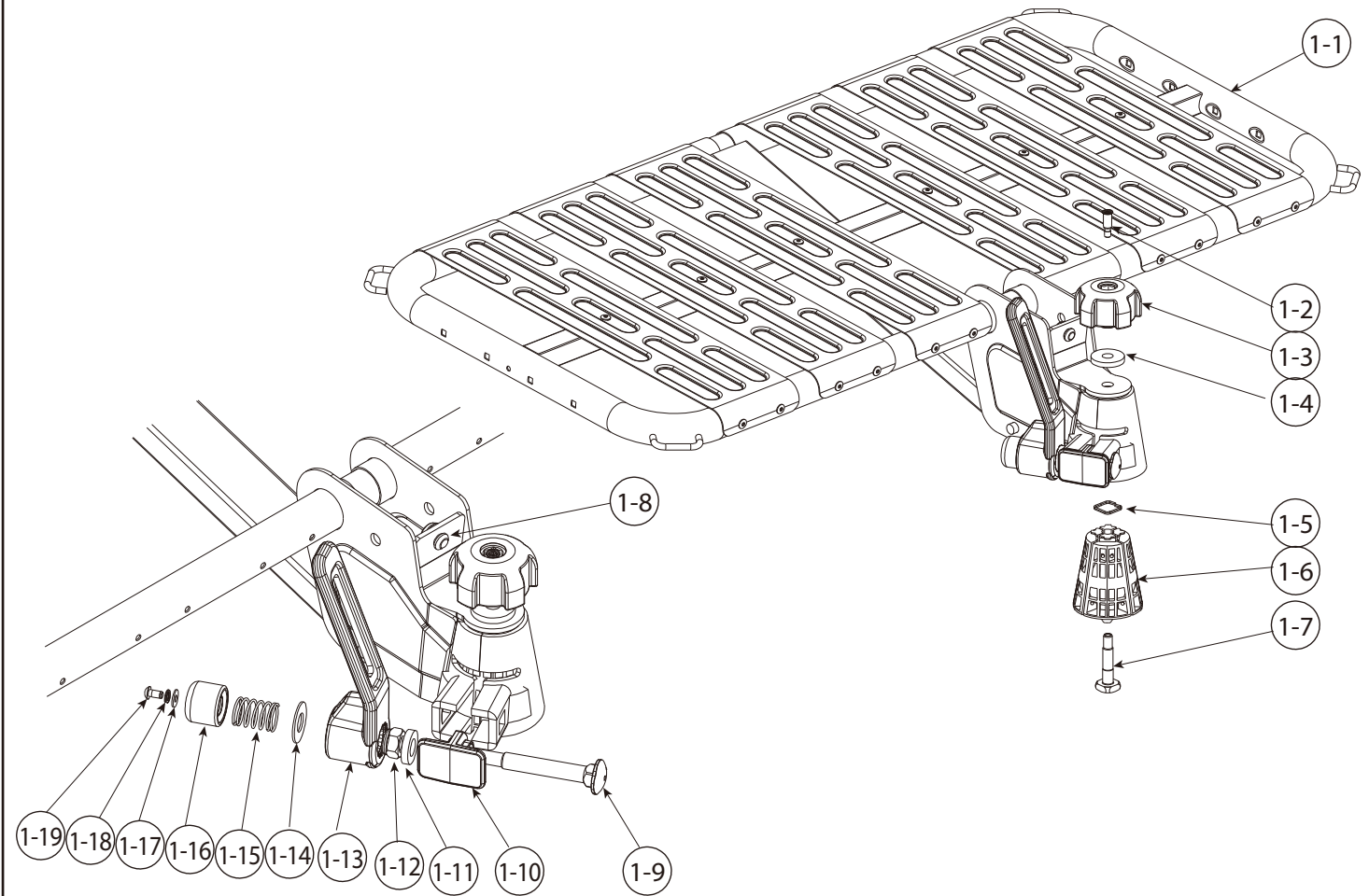


## SPARE PARTS



PART	DESCRIPTION	PART NUMBER	QTY.	PART	DESCRIPTION	PART NUMBER	QTY.
1	Platform assembly		1	16			
2	Anti-sway tube	3201-00355-04P	1	17			
3	Plastic ring Ø1"	130-00652-16C	2	18			
4	End cap Ø1"	130-00651-01C	2	19			
5	Carriage bolt M6x72mm	140-0106-051-04D	4	20			
6	T-Knob	3509-00319-16C	5	21			
7	License plate holder clip	130-00632-01C	1	22			
8	Hex bolt M6x40mm	140-0306-038-04D	1	23			
9	License plate holder	3508-00455-01C	1	24			
10	Strap with buckle	3521-00261-01C	4	25			
11	Strap	3521-00262-01C	4	26			
12				27			
13				28			
14				29			
15				30			

## SPARE PARTS



PART	DESCRIPTION	PART NUMBER	QTY.	PART	DESCRIPTION	PART NUMBER	QTY.
1-1	Welding assembly	3205-00188-04P	1				
1-2	Retainer	3509-00332-99C	1				
1-3	Locking knob M10	3503-00042-16C	1				
1-4	Washer Ø10.5xØ32	142-1105-003-04D	1				
1-5	Square spring	145-00055-13D	1				
1-6	Conical clamps	118-00146-00	4				
1-7	Square head bolt M10x50mm	140-0510-002-04D	1				
1-8	Rubber plug	130-00818-01C	1				
1-9	Carriage bolt M12x105mm	140-0112-008-04D	1				
1-10	Conic protector	130-00609-01C	1				
1-11	Washer Ø13xØ25	142-1130-005-04D	1				
1-12	Nylock nut M12	141-0112-003-04D	1				
1-13	Intergrated spanner	3209-00369-16C	1				
1-14	Washer Ø14.2xØ30	142-1141-001-04D	1				
1-15	Spring	145-00034-13D	1				
1-16	Bushing	130-00728-01C	1				
1-17	Washer Ø5.3xØ12.8	142-1053-001-04D	1				
1-18	Spring washer M5	142-2005-001-04D	1				
1-19	Screw M5x10mm	140-1105-004-04D	1				
1-20							