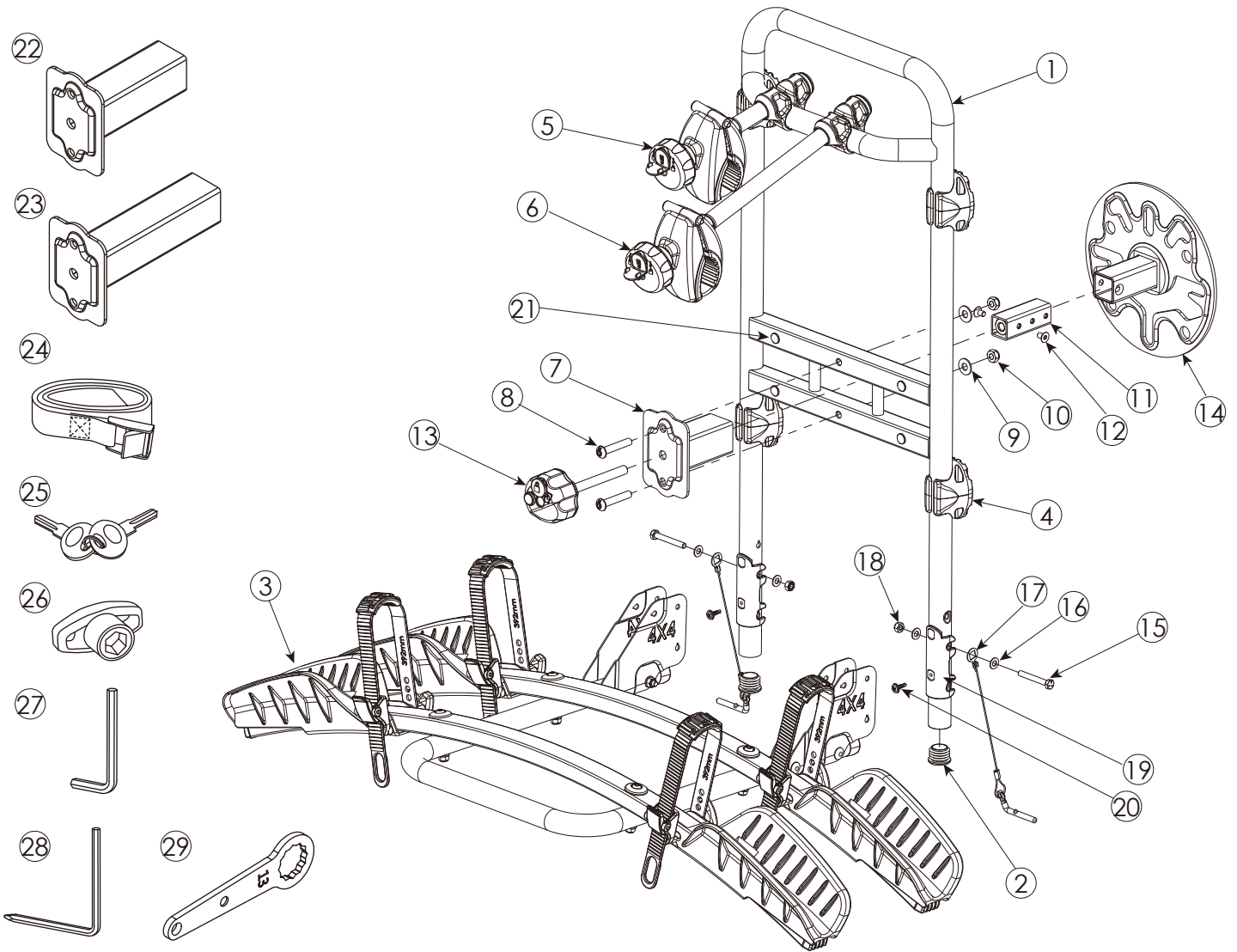


SPARE PARTS



PART	DESCRIPTION	PART NUMBER	QTY.	PART	DESCRIPTION	PART NUMBER	QTY.
1	Main tube	3203-00104-04P	1	16	Washer Ø6.5xØ13	142-1065-003-04D	4
2	End cap Ø1"	130-00030-01C	2	17	Pin	3509-00125-99C	2
3	Platform Assembly		1	18	Nylock nut M6	141-0106-001-04D	2
4	Rubber Spacer	130-00601-01C	4	19	Bracket pad	130-00471-01C	2
5	Clamp assembly - long		1	20	Screw ST4.2x16	140-3104-001-04D	2
6	Clamp assembly - short		1	21	Waterproof cap	130-00603-01C	8
7	Mounting Bracket A	3204-00095-04P	1	22	Mounting Bracket B	3204-00096-04P	1
8	Button head screw M8x45mm	140-1108-016-04D	2	23	Mounting Bracket C	3204-00097-04P	1
9	Washer Ø8.5xØ19	142-1085-003-04D	2	24	Safety strap	3522-00072-03C	1
10	Nylock nut M8	141-0108-001-04D	2	25	Key	147-01905-99D	2
11	Standoff extension	3205-00128-00P	1	26	T-wrench	132-00022-05C	1
12	Screw M6x10mm	140-1406-001-04D	2	27	Allen key	144-00003-06D	1
13	Locking Knob	3503-00104-99C	1	28	Allen key	144-00009-06D	1
14	Spare tire mount bracket	3205-00113-04P	1	29	Wrench	3344-00013-06D	1
15	Hex bolt M6x45mm	140-0306-039-04D	2	30			

