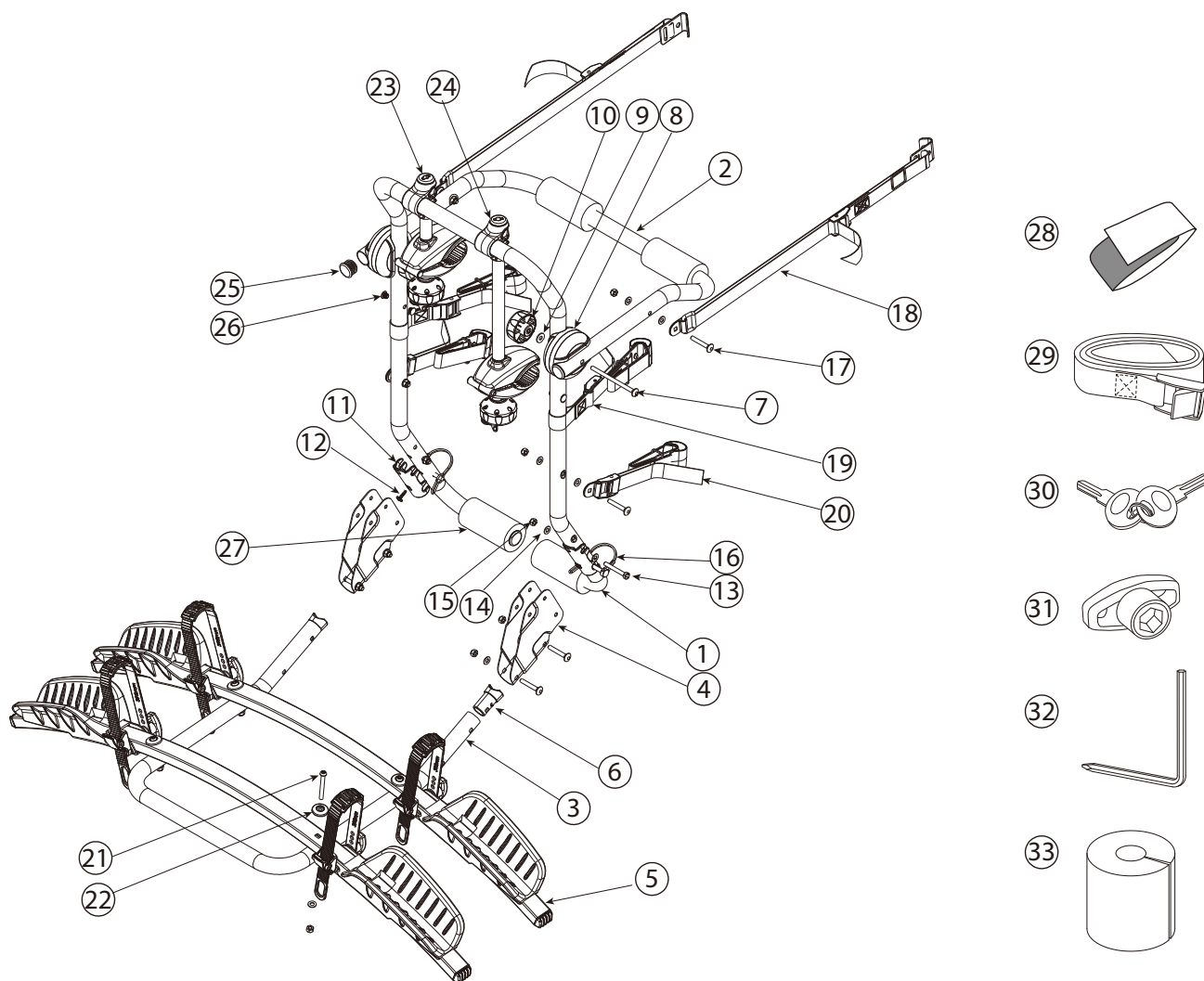


SPARE PARTS



PART	DESCRIPTION	PART NUMBER	QTY.	PART	DESCRIPTION	PART NUMBER	QTY.
1	Main tube		1	18	Upper strap assembly	3525-00250-99C-49	2
2	Back tube		1	19	Side strap assembly	3525-00256-99C-49	2
3	Platform tube		1	20	Bottom strap assembly	3525-00257-99C-49	2
4	Bracket	3209-00400-34P	2	21	Screw M6x55mm	140-1106-013-04C	4
5	Wheel support tube assembly		2	22	Plastic washer M6	130-00445-01C	4
6	End cap	130-00559-01C	2	23	Clamp assembly - short		1
7	Carriage bolt M6x95mm	140-0106-037-04D	2	24	Clamp assembly - long		1
8	Hub	130-00138-01C	4	25	End cap 1"	130-00030-01C	4
9	Washer Ø6.5xØ16	142-1065-004-04D	2	26	Inner plug	130-00355-01C	4
10	Knob	3503-00088-01C	2	27	Rubber foam	134-00044-01C	4
11	Bracket pad	130-00471-01C	2	28	Velcro strap	133-0300-009-01C	6
12	Screw ST4.2x16	140-3104-001-04D	2	29	Safety strap	3522-00072-03C-01	1
13	Hex bolt M6x45mm	140-0306-039-04D	2	30	Key	147-01905-99D	2
14	Washer Ø6.5xØ13	142-1065-003-04D	20	31	T-wrench	132-00022-05C	1
15	Nylock nut M6	141-0106-001-04D	14	32	Allen key	144-00009-06D	1
16	Pin	143-00021-06D	2	33	PE foam	134-00010-01C	1
17	Carriage bolt M6x40mm	140-0106-015-04D	8	34			

