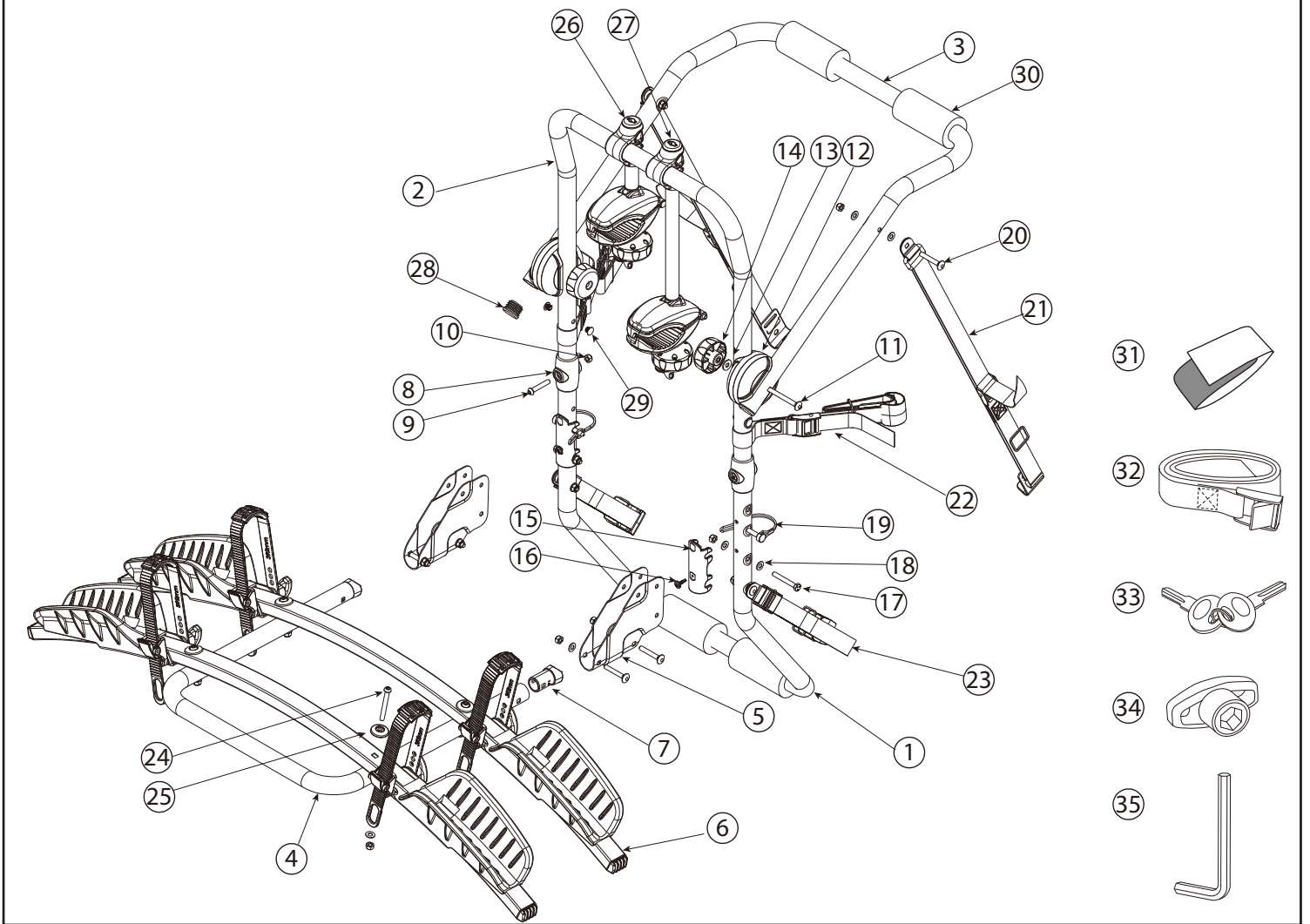


SPARE PARTS



PART	DESCRIPTION	PART NUMBER	QTY.	PART	DESCRIPTION	PART NUMBER	QTY.
1	Main tube - bottom	3201-00346-34P	1	19	Pin	143-00021-06D	1
2	Main tube - upper	3201-00345-34P	1	20	Carriage bolt M6x40mm	140-0106-015-04D	8
3	Back tube	3201-00320-34P	1	21	Upper strap assembly	3525-00250-99C-49	2
4	Platform tube	3201-00285-34P	1	22	Side strap assembly	3525-00256-99C-49	2
5	Bracket	3209-00400-34P	2	23	Bottom strap assembly	3525-00257-99C-49	2
6	Wheel support tube assembly		2	24	Screw M6x55mm	140-1106-013-04C	4
7	End cap	130-00559-01C	2	25	Plastic washer M6	130-00445-01C	4
8	Connector	130-00546-01C	2	26	Clamp assembly - short		1
9	Screw M6x35mm	140-1106-007-04D	2	27	Clamp assembly - long		1
10	Nylock nut M6	141-0106-001-04D	16	28	End cap 1"	130-00030-01C	2
11	Carriage bolt M6x95mm	140-0106-037-04D	2	29	Inner plug	130-00355-01C	4
12	Hub	130-00138-01C	4	30	Rubber foam	134-00044-01C	4
13	Washer Ø6.5xØ16	142-1065-004-04D	2	31	Velcro strap	133-0300-009-01C	6
14	Knob	3503-00088-01C	2	32	Safety strap	3522-00072-03C-01	1
15	Bracket pad	130-00471-01C	2	33	Key	147-01905-99D	2
16	Screw ST4.2x16	140-3104-001-04D	2	34	T-wrench	132-00022-05C	1
17	Hex bolt M6x45mm	140-0306-039-04D	2	35	Allen key	144-00004-06D	1
18	Washer Ø6.5xØ13	142-1065-003-04D	20	36			

