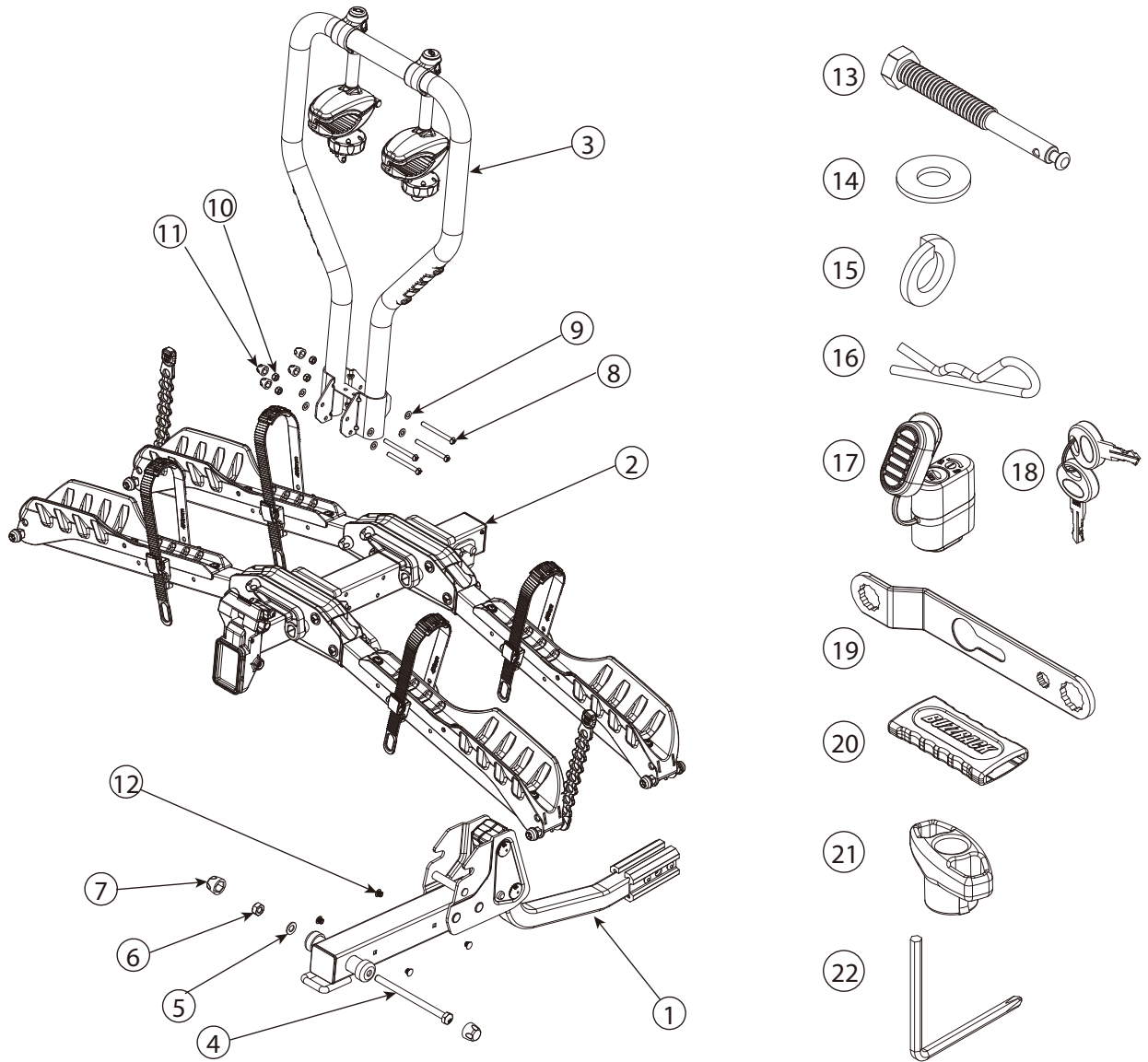
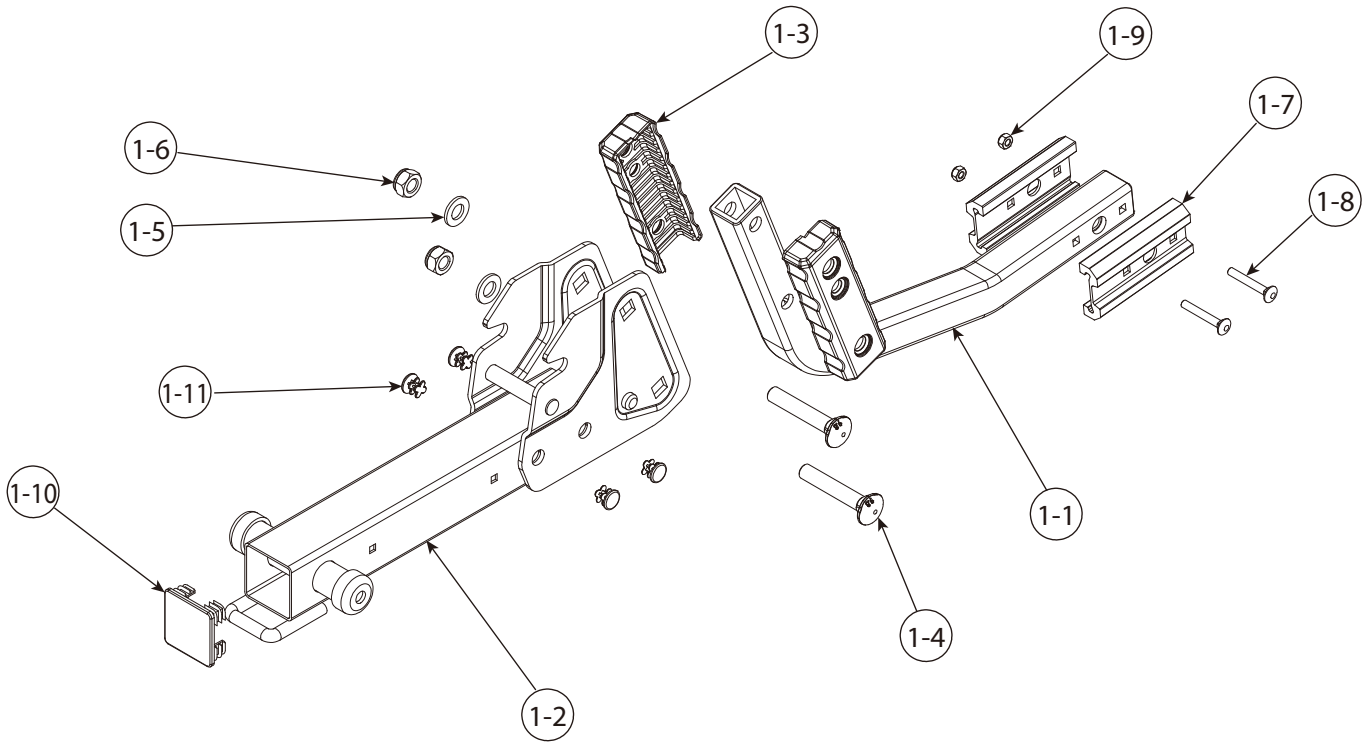


SPARE PARTS



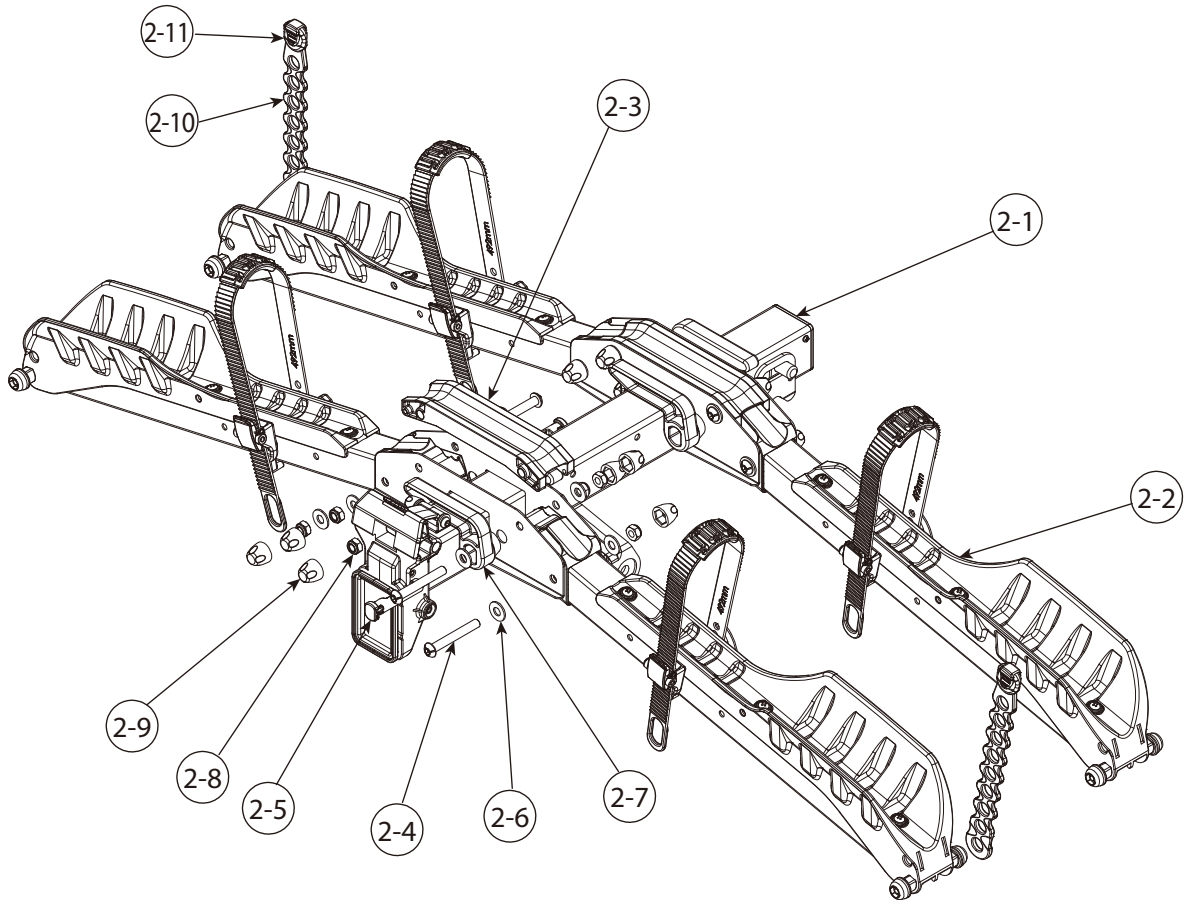
PART	DESCRIPTION	PART NUMBER	QTY.	PART	DESCRIPTION	PART NUMBER	QTY.
1	Foot assembly		1	16	R-pin	143-00003-04D	1
2	Platform assembly		1	17	Hitch lock	3509-00301-05C	1
3	Top frame assembly		1	18	Key	147-01905-99D	2
4	Hex bolt M10x150mm	140-0310-004-04D	1	19	Wrench	3344-00008-00P	1
5	Washer Ø10.8xØ20	142-1108-001-04D	1	20	Wrench protector	130-00513-01C	1
6	Nylock nut M10	130-00460-01C	1	21	T-wrench	132-00022-05C	1
7	Screw cap M10	141-0110-001-04D	2	22	Allen key	144-00009-06D	1
8	Screw M6x65mm	140-1106-029-04D	4	23			
9	Washer Ø6.5xØ13	142-1065-003-04D	4	24			
10	Nylock nut M6	141-0106-001-04D	4	25			
11	Screw cap M6	130-00458-01C	4	26			
12	Inner plug	130-00355-01C	4	27			
13	Hex bolt 1/2"-13UNCx118mm	140-0440-008-04D	1	28			
14	Washer Ø13.5xØ27	142-1135-003-04D	1	29			
15	Spring washer 1/2"	142-2045-001-04D	1	30			

SPARE PARTS



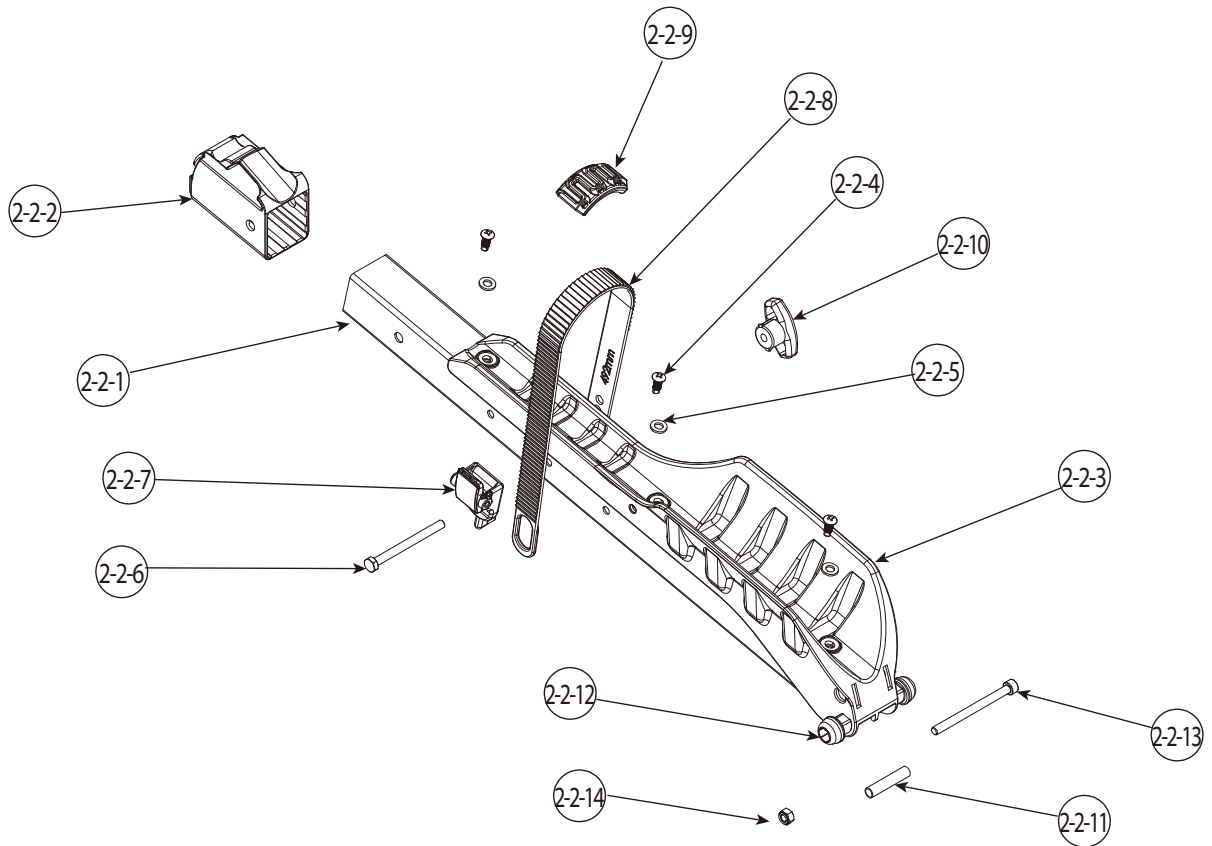
PART	DESCRIPTION	PART NUMBER	QTY.	PART	DESCRIPTION	PART NUMBER	QTY.
1-1	Hitch tube	3204-00109-43P	1				
1-2	Welding assembly	3205-00126-43P	1				
1-3	Plastic splint	130-00335-01C	2				
1-4	Carriage bolt M12x70mm	140-0112-007-04D	2				
1-5	Washer Ø13xØ24	142-1130-001-04D	2				
1-6	Nylock nut M12	141-0112-001-04D	2				
1-7	Adapter	3209-00356-00P	2				
1-8	Carriage bolt M6x43mm	140-0106-016-04D	2				
1-9	Nylock nut M6	141-0106-001-04D	2				
1-10	Square cap 50mm	130-00227-01C	1				
1-11	Cap Ø5/8"	130-00011-01C	4				
1-12							
1-13							
1-14							
1-15							
1-16							
1-17							
1-18							
1-19							
1-20							

SPARE PARTS



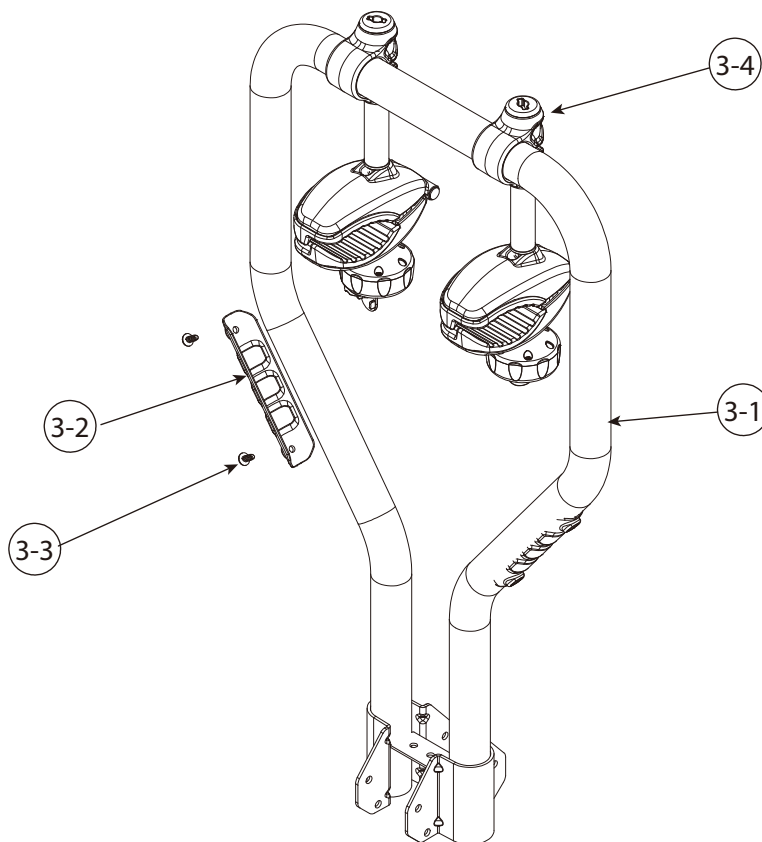
PART	DESCRIPTION	PART NUMBER	QTY.	PART	DESCRIPTION	PART NUMBER	QTY.
2-1	Folding system assembly		1				
2-2	Wheel support assembly		4				
2-3	Wheel support tube cover	130-00491-01C	2				
2-4	Screw M8x60mm	140-1108-012-04D	8				
2-5	Pin	118-00176-00	4				
2-6	Washer Ø8.5xØ19	142-1085-003-04D	20				
2-7	Clip	130-00490-05C	4				
2-8	Nylock nut M8	141-0108-001-04D	12				
2-9	Screw cap M8	130-00459-01C	12				
2-10	Wheel strap 230mm	3509-00448-01C	2				
2-11	Strap clip button	130-00486-05C	2				
2-12							
2-13							
2-14							
2-15							
2-16							
2-17							
2-18							
2-19							
2-20							

SPARE PARTS



PART	DESCRIPTION	PART NUMBER	QTY.	PART	DESCRIPTION	PART NUMBER	QTY.
2-2-1	Wheel tube	3202-00088-43P	1				
2-2-2	Wheel support end cap	130-00492-01C	1				
2-2-3	Wheel support	130-00494-01C	1				
2-2-4	Screw M6x14mm	140-1782-005-04D	3				
2-2-5	Washer Ø6.5xØ12	142-1065-001-04D	3				
2-2-6	Hex bolt M6x75mm	140-0906-008-04D	1				
2-2-7	Ratchet for wheel strap	3509-00318-05C	1				
2-2-8	Wheel strap 492mm	130-00687-01C	1				
2-2-9	Strap pad	130-00637-05C	1				
2-2-10	T-knob	3509-00319-01C	1				
2-2-11	Tube Ø8x38mm	3201-00342-04D	1				
2-2-12	Strap clip button	130-00572-01C	1				
2-2-13	Hex bolt M6x70mm	140-0306-041-04D	1				
2-2-14	Nylock nut M6	141-0106-001-04D	1				
2-2-15							
2-2-16							
2-2-17							
2-2-18							
2-2-19							
2-2-20							

SPARE PARTS



PART	DESCRIPTION	PART NUMBER	QTY.	PART	DESCRIPTION	PART NUMBER	QTY.
3-1	Top frame	3203-00102-43P	1				
3-2	Plastic pad	130-00619-01C	2				
3-3	Screw Ø4.8x14	140-1783-002-04D	4				
3-4	Clamp assembly		2				
3-5							
3-6							
3-7							
3-8							
3-9							
3-10							
3-11							
3-12							
3-13							
3-14							
3-15							
3-16							
3-17							
3-18							
3-19							
3-20							

