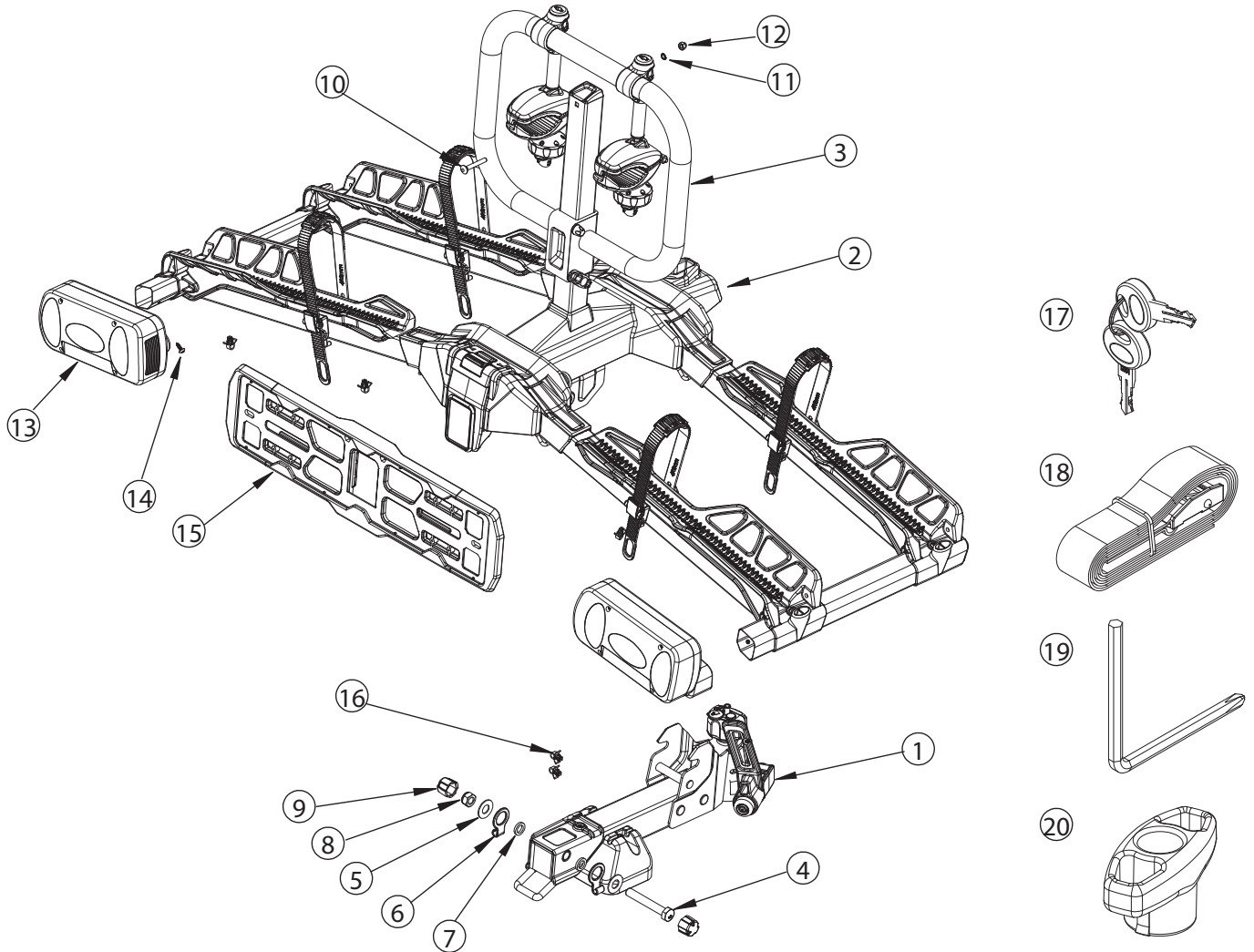
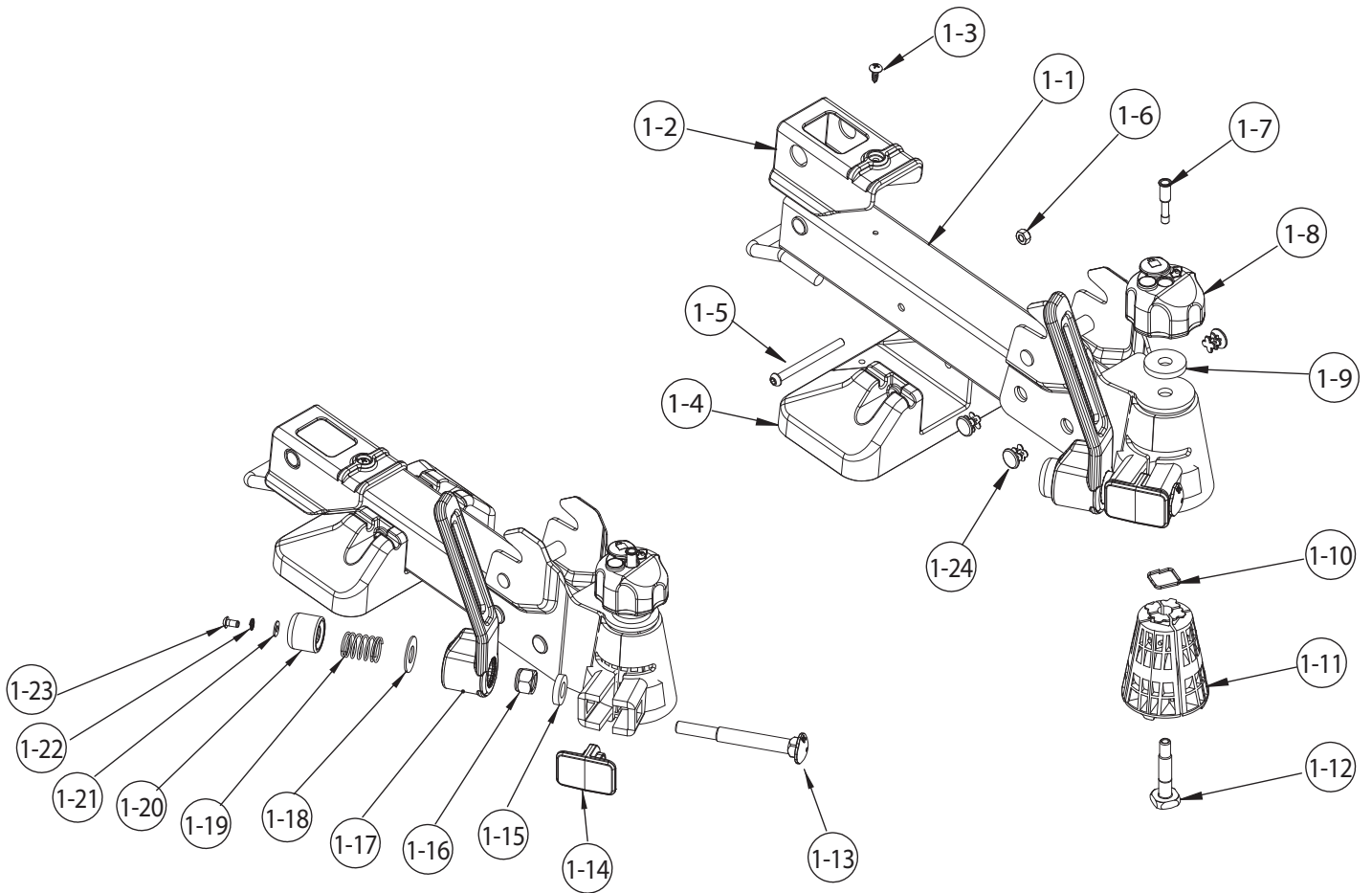


SPARE PARTS



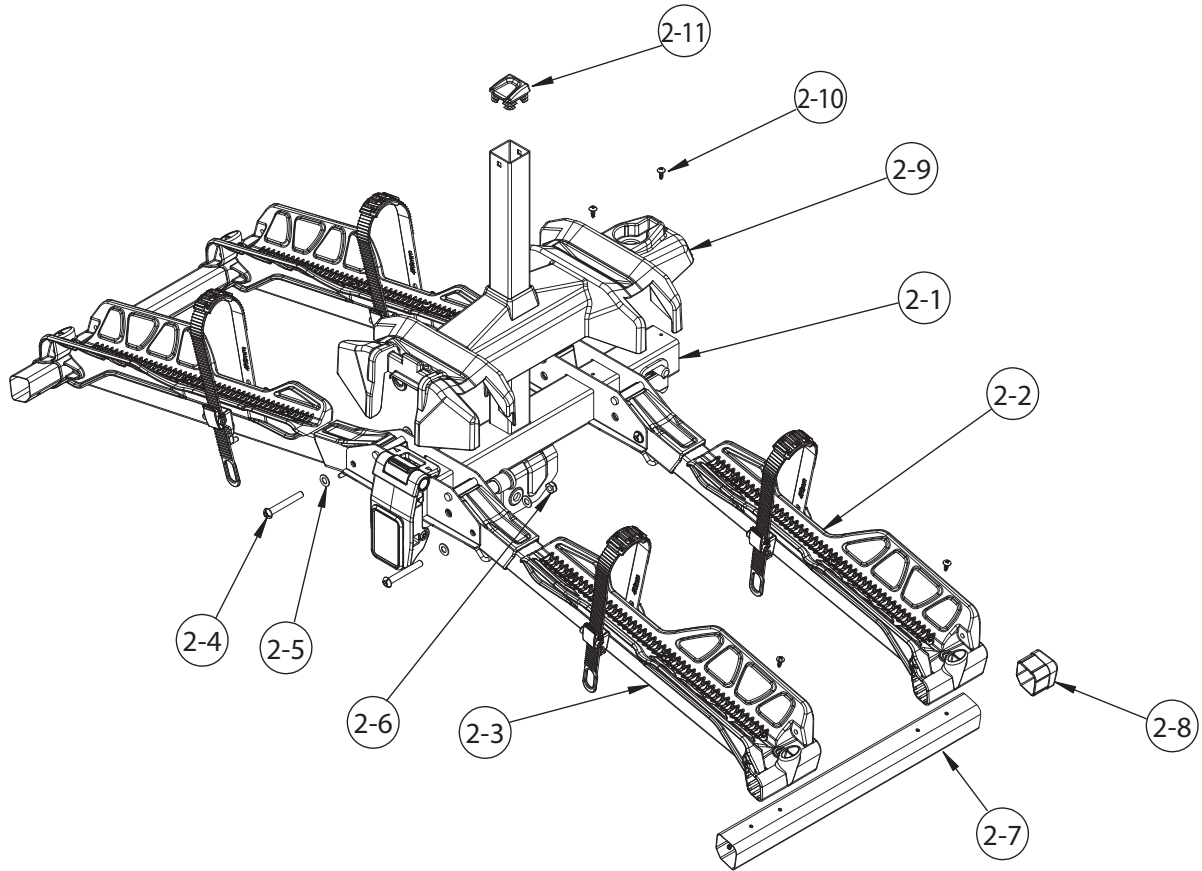
PART	DESCRIPTION	PART NUMBER	QTY.	PART	DESCRIPTION	PART NUMBER	QTY.
1	Foot assembly		1	16	Cable clip	130-00838-01C	6
2	Platform assembly		1	17	Key	147-01905-99D	2
3	Top frame assembly		1	18	Safety strap	3522-00072-03C-01	1
4	Hex bolt M12x90mm	140-0312-005-04D	1	19	Allen key	144-00009-06D	1
5	Washer Ø14.2xØ30	142-1141-001-04D	2	20	T-wrench	132-00022-05C	1
6	Wire buckle	130-00868-01C	2	21			
7	Washer Ø13xØ20	3342-00017-04D	2	22			
8	Nylock nut M12	141-0112-001-04D	1	23			
9	Screw cap Ø3/4"	130-00019-01C	2	24			
10	Carriage bolt M6x45mm	140-0106-055-04D	1	25			
11	Spring washer M6	142-2006-001-04D	1	26			
12	Cap nut M6	141-1406-001-04D	1	27			
13	Light assembly	3505-00086-99C	1	28			
14	Screw Ø4.8x14	140-1783-002-04D	2	29			
15	License plate holder	3508-00455-01C	1	30			

SPARE PARTS



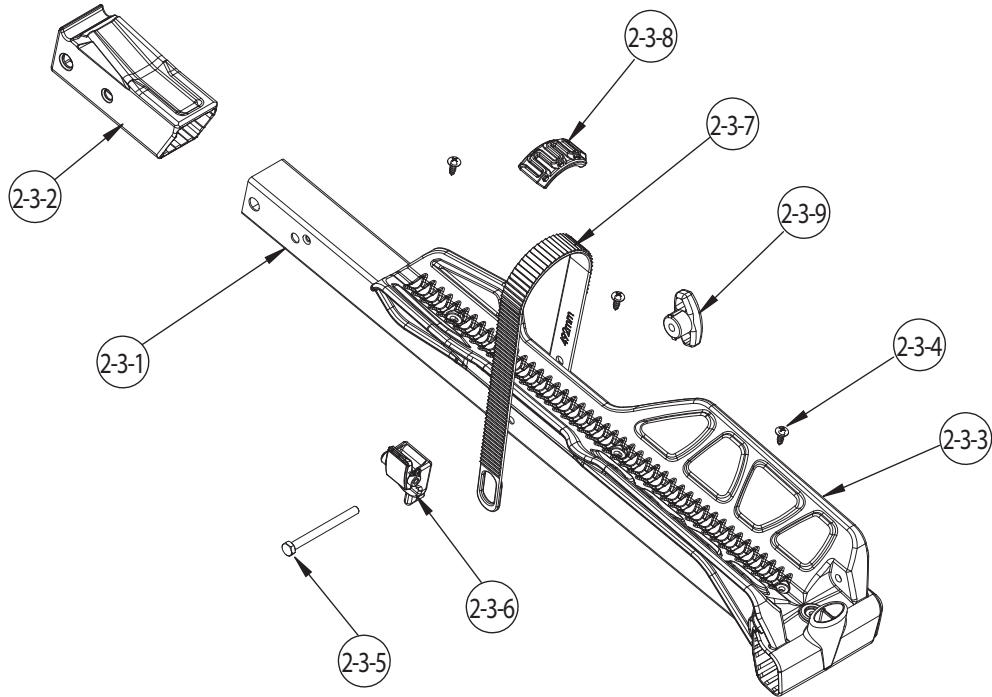
PART	DESCRIPTION	PART NUMBER	QTY.	PART	DESCRIPTION	PART NUMBER	QTY.
1-1	Foot assembly		1	1-21	Washer Ø5.3xØ12.8	142-1053-001-04D	1
1-2	Bushing	130-00863-01C	1	1-22	Spring washer M5	142-2005-001-04D	1
1-3	Screw Ø4.8x14	140-1783-002-04D	1	1-23	Screw M5x10mm	140-1105-004-04D	1
1-4	Tube base	130-00853-01C	1	1-24	End cap Ø5/8"	130-00011-01C	3
1-5	Screw M6x70mm	140-1106-036-04D	1	1-25			
1-6	Nylock nut M6	141-0106-001-04D	1	1-26			
1-7	Retainer	3509-00332-99C	1	1-27			
1-8	Locking knob M10	3503-00127-99C	1	1-28			
1-9	Washer Ø10.5xØ32	142-1105-003-04D	1	1-29			
1-10	Square spring	145-00055-13D	1	1-30			
1-11	Conical clamps	118-00146-00	4				
1-12	Square bolt M10x50mm	140-0510-002-04D	1				
1-13	Carriage bolt M12x105mm	140-0112-008-04D	1				
1-14	Conical protector	130-00609-01C	1				
1-15	Washer Ø13xØ25	142-1130-005-04D	1				
1-16	Nylock nut M12	141-0112-003-04D	1				
1-17	Intergrated spanner	3209-00369-16C	1				
1-18	Washer Ø14.2xØ30	142-1141-001-04D	1				
1-19	Spring	145-00034-13D	1				
1-20	Bushing	130-00728-01C	1				

SPARE PARTS



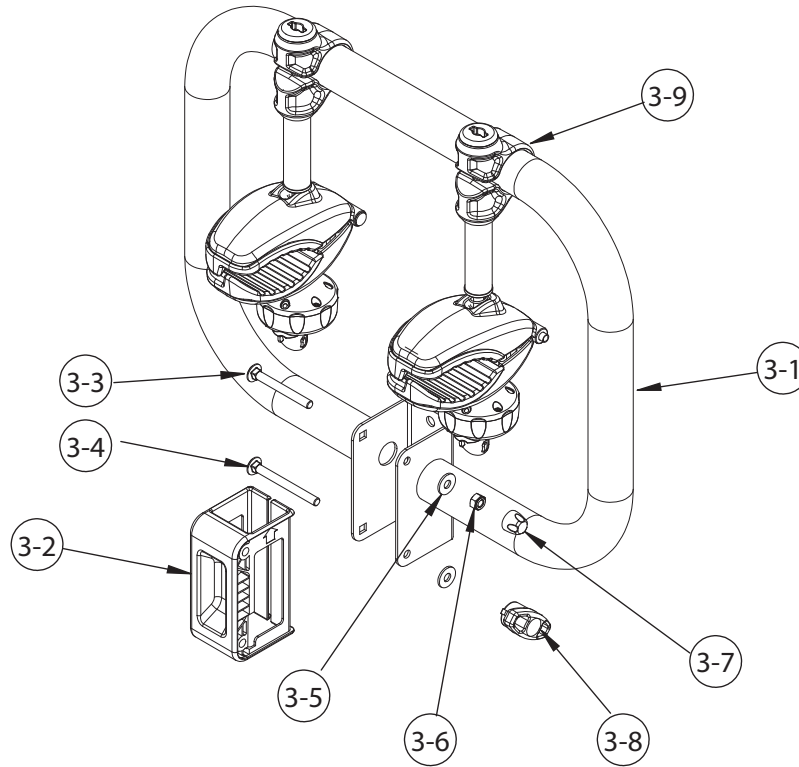
PART	DESCRIPTION	PART NUMBER	QTY.	PART	DESCRIPTION	PART NUMBER	QTY.
2-1	Folding system assembly		1				
2-2	Wheel support assembly		2				
2-3	Wheel support assembly		2				
2-4	Screw M8x60mm	140-1108-012-04D	4				
2-5	Washer Ø8.5xØ16	142-1085-002-04D	8				
2-6	Nylock nut M8	141-0108-001-04D	4				
2-7	Aluminum side tube	3420-00053-04P	2				
2-8	End cap	130-00737-01C	2				
2-9	Vertical tube cover	130-00848-01C	1				
2-10	Screw Ø4.8x14	140-1783-002-04D	7				
2-11	End cap	130-00839-01C	1				
2-12							
2-13							
2-14							
2-15							
2-16							
2-17							
2-18							
2-19							
2-20							

SPARE PARTS



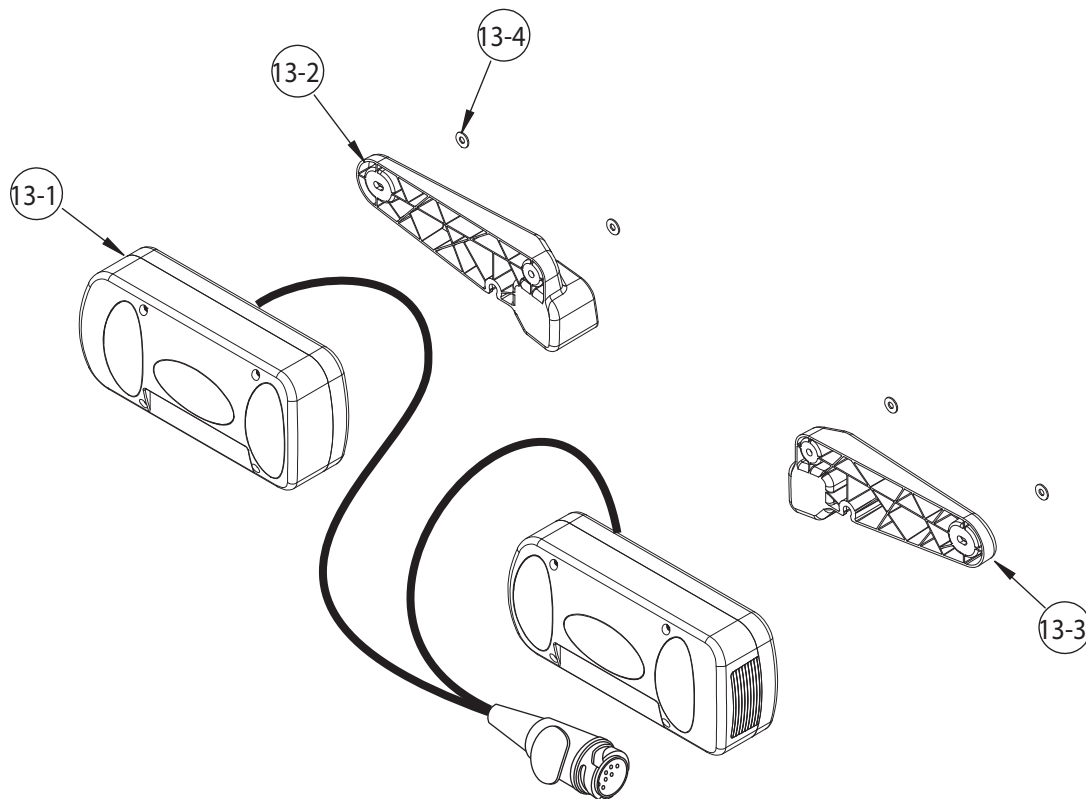
PART	DESCRIPTION	PART NUMBER	QTY.	PART	DESCRIPTION	PART NUMBER	QTY.
2-3-1	Wheel tube - front	3202-00178-04P	1				
2-3-2	Wheel support tube end cap	130-00844-01C	1				
2-3-3	Wheel support	130-00735-01C	1				
2-3-4	Screw Ø4.8x14	140-1783-002-04D	3				
2-3-5	Hex bolt M6x70mm	140-0306-041-04D	1				
2-3-6	Ratchet for wheel strap	3509-00318-16C	1				
2-3-7	Wheel strap 492mm	130-00687-01C	1				
2-3-8	Strap pad	130-00637-16C	1				
2-3-9	T-knob	3509-00319-01C	1				
2-3-10							
2-3-11							
2-3-12							
2-3-13							
2-3-14							
2-3-15							
2-3-16							
2-3-17							
2-3-18							
2-3-19							
2-3-20							

SPARE PARTS



PART	DESCRIPTION	PART NUMBER	QTY.	PART	DESCRIPTION	PART NUMBER	QTY.
3-1	Vertical frame	3203-00136-04P	1				
3-2	Bushing	130-00820-01C	1				
3-3	Carriage bolt M6x55mm	140-0106-023-04D	1				
3-4	Carriage bolt M6x62mm	140-0106-026-04D	1				
3-5	Washer Ø6.5xØ16	142-1065-004-04D	2				
3-6	Nylock nut M6	141-0106-001-04D	1				
3-7	Screw cap M6	130-00458-01C	1				
3-8	T-knob	3509-00319-01C	1				
3-9	Clamp assembly		2				
3-10							
3-11							
3-12							
3-13							
3-14							
3-15							
3-16							
3-17							
3-18							
3-19							
3-20							

SPARE PARTS



PART	DESCRIPTION	PART NUMBER	QTY.	PART	DESCRIPTION	PART NUMBER	QTY.
13-1	Light assembly (DF-TR006/13pin/1500mm)	139-00068-01C	1				
13-2	Light bracket-left	130-00720-01C	1				
13-3	Light bracket-right	130-00721-01C	1				
13-4	Washer Ø5xØ12	142-1050-001-04D	4				
13-5							
13-6							
13-7							
13-8							
13-9							
13-10							