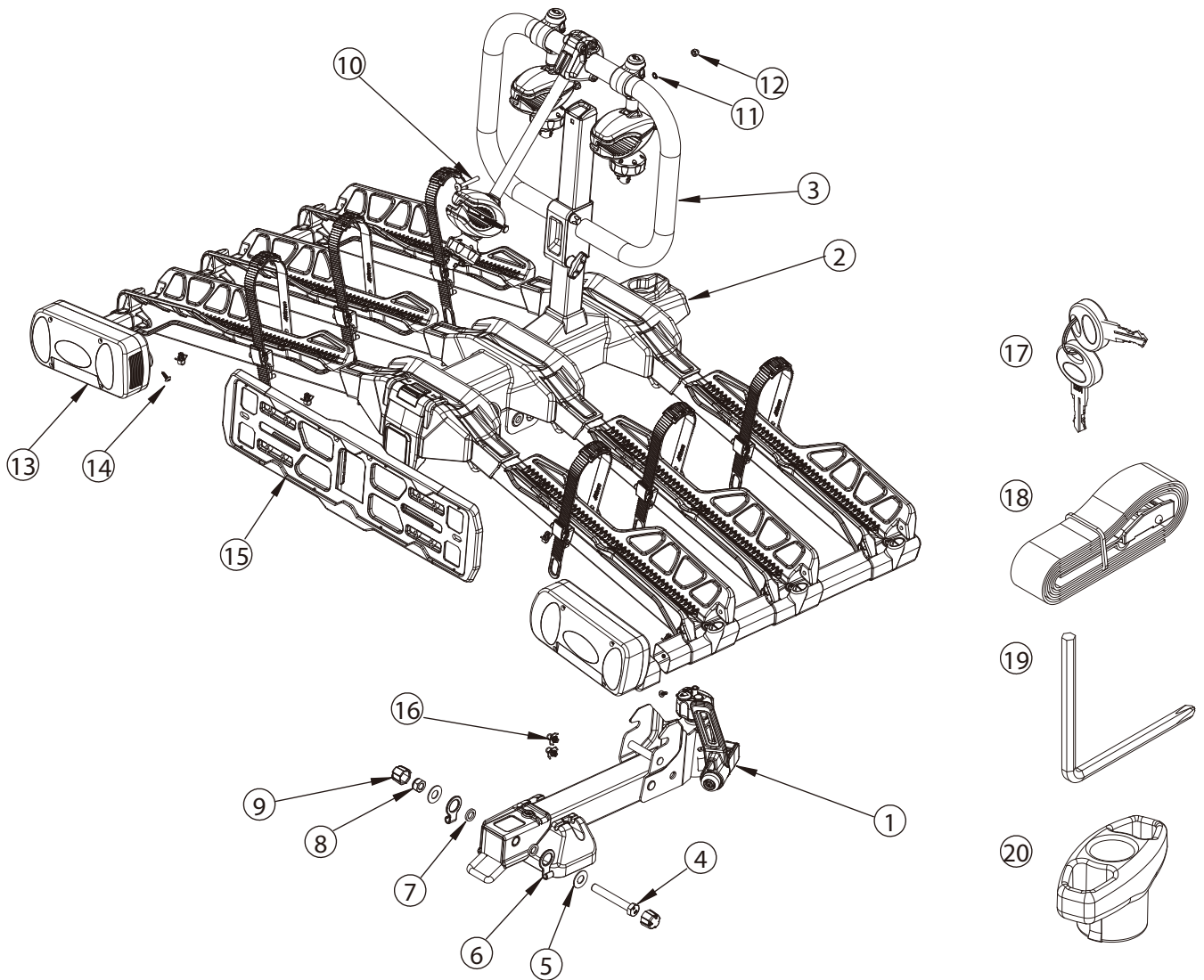
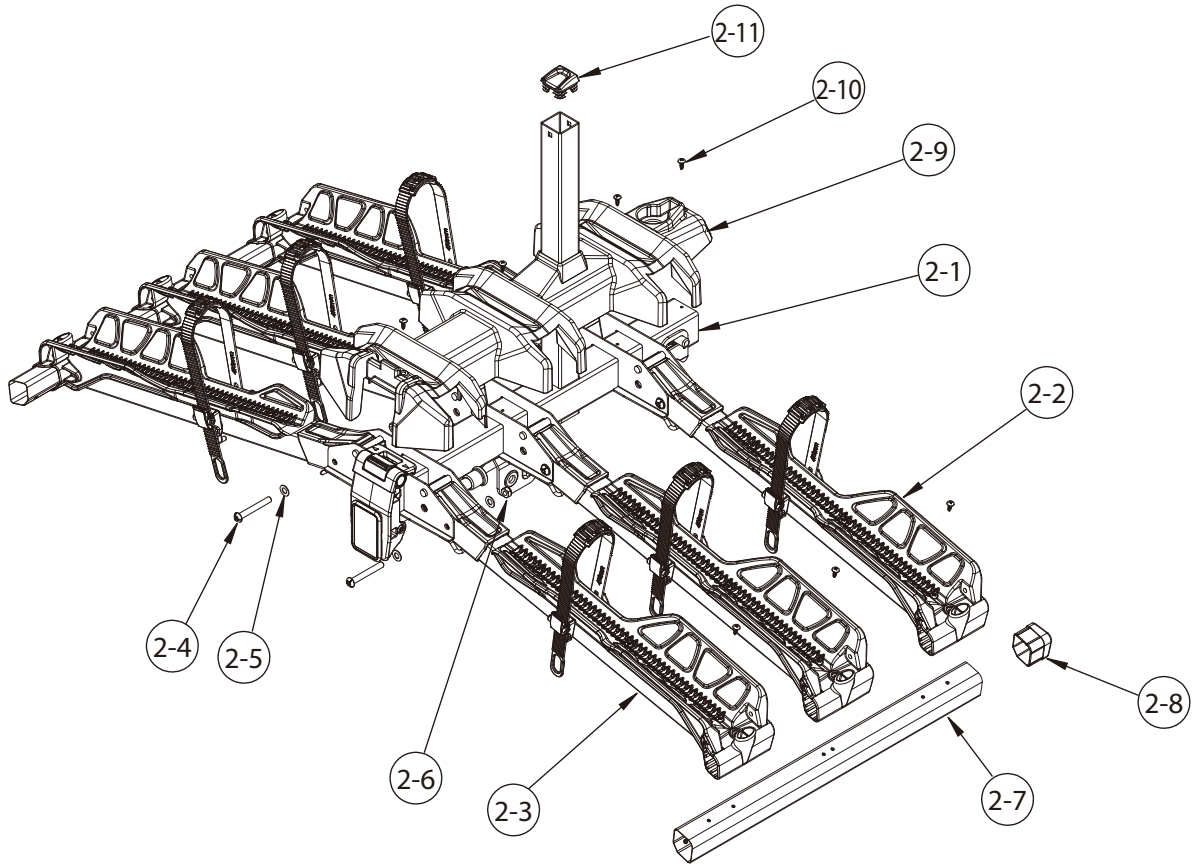


SPARE PARTS



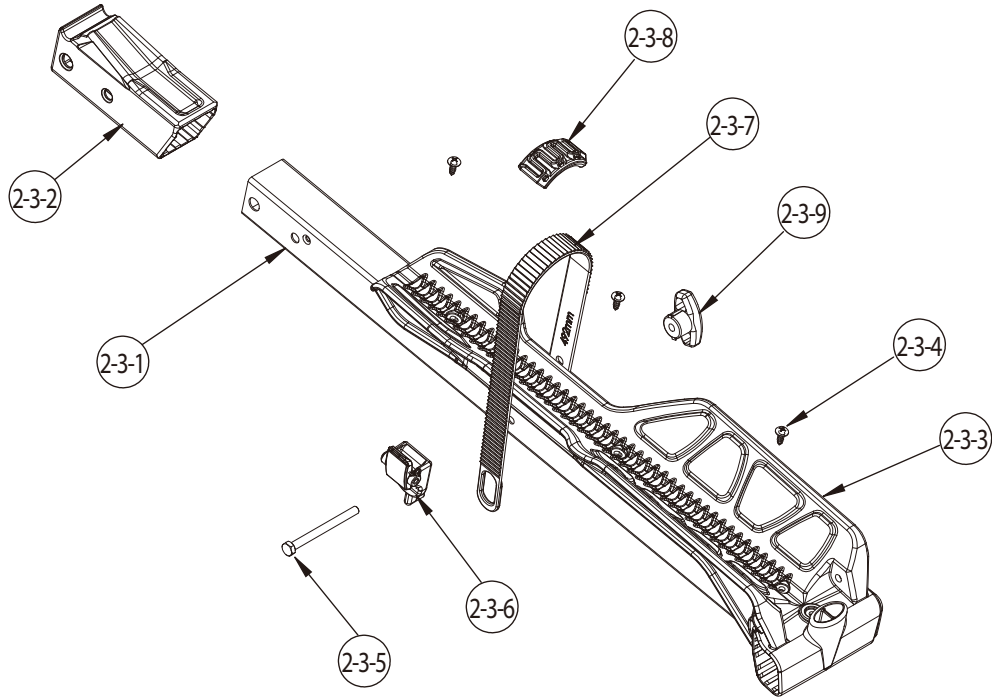
PART	DESCRIPTION	PART NUMBER	QTY.	PART	DESCRIPTION	PART NUMBER	QTY.
1	Foot assembly		1	16	Cable clip	130-00838-01C	6
2	Platform assembly		1	17	Key	147-01905-99D	2
3	Top frame assembly		1	18	Safety strap	3522-00197-03C-01	1
4	Hex bolt M12x90mm	140-0312-005-04D	1	19	Allen key	144-00009-06D	1
5	Washer Ø14.2xØ30	142-1141-001-04D	2	20	T-wrench	132-00022-05C	1
6	Wire buckle	130-00868-01C	2	21			
7	Washer Ø13xØ20	3342-00017-04D	2	22			
8	Nylock nut M12	141-0112-001-04D	1	23			
9	Screw cap Ø3/4"	130-00019-01C	2	24			
10	Carriage bolt M6x45mm	140-0106-055-04D	1	25			
11	Spring washer M6	142-2006-001-04D	1	26			
12	Cap nut M6	141-1406-001-04D	1	27			
13	Light assembly	3505-00087-99C	1	28			
14	Screw Ø4.8x14	140-1783-002-04D	2	29			
15	License plate holder	3508-00455-01C	1	30			

SPARE PARTS



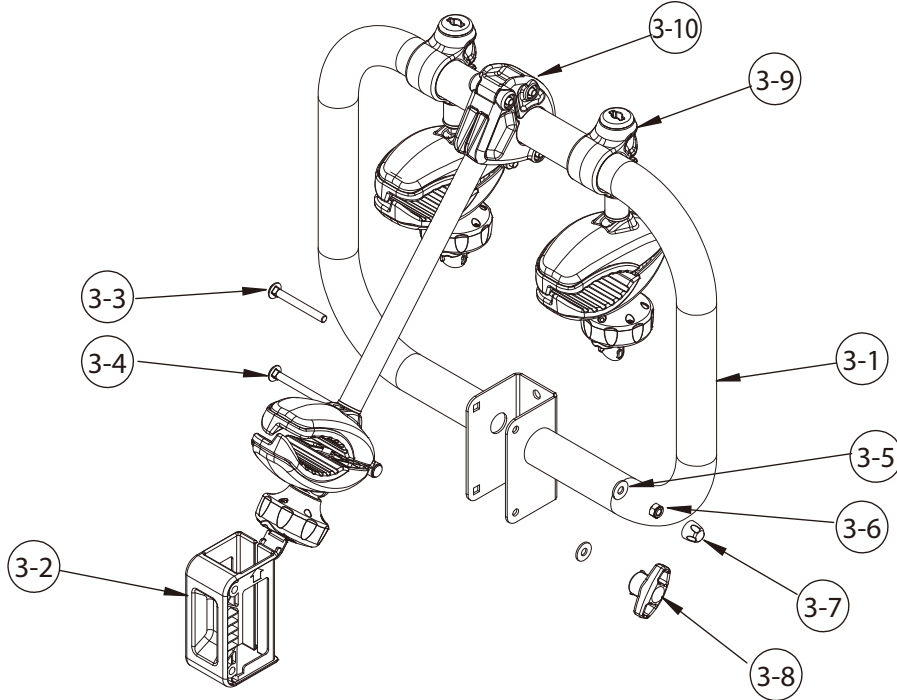
PART	DESCRIPTION	PART NUMBER	QTY.	PART	DESCRIPTION	PART NUMBER	QTY.
2-1	Folding system assembly		1				
2-2	Wheel support assembly		4				
2-3	Wheel support assembly		2				
2-4	Screw M8x60mm	140-1108-012-04D	6				
2-5	Washer Ø8.5xØ16	142-1085-002-04D	12				
2-6	Nylock nut M8	141-0108-001-04D	6				
2-7	Aluminum side tube	3420-00054-04P	2				
2-8	End cap	130-00737-01C	2				
2-9	Vertical tube cover	130-00849-01C	1				
2-10	Screw Ø4.8x14	140-1783-002-04D	10				
2-11	End cap	130-00839-01C	1				
2-12							
2-13							
2-14							
2-15							
2-16							
2-17							
2-18							
2-19							
2-20							

SPARE PARTS



PART	DESCRIPTION	PART NUMBER	QTY.	PART	DESCRIPTION	PART NUMBER	QTY.
2-3-1	Wheel tube - front	3202-00178-04P	1				
2-3-2	Wheel support tube end cap	130-00844-01C	1				
2-3-3	Wheel support	130-00735-01C	1				
2-3-4	Screw Ø4.8x14	140-1783-002-04D	3				
2-3-5	Hex bolt M6x70mm	140-0306-041-04D	1				
2-3-6	Ratchet for wheel strap	3509-00318-16C	1				
2-3-7	Wheel strap 492mm	130-00687-01C	1				
2-3-8	Strap pad	130-00637-16C	1				
2-3-9	T-knob	3509-00319-01C	1				
2-3-10							
2-3-11							
2-3-12							
2-3-13							
2-3-14							
2-3-15							
2-3-16							
2-3-17							
2-3-18							
2-3-19							
2-3-20							

SPARE PARTS



PART	DESCRIPTION	PART NUMBER	QTY.	PART	DESCRIPTION	PART NUMBER	QTY.
3-1	Vertical frame	3203-00136-04P	1				
3-2	Bushing	130-00820-01C	1				
3-3	Carriage bolt M6x55mm	140-0106-023-04D	1				
3-4	Carriage bolt M6x62mm	140-0106-026-04D	1				
3-5	Washer Ø6.5xØ16	142-1065-004-04D	2				
3-6	Nylock nut M6	141-0106-001-04D	1				
3-7	Screw cap M6	130-00458-01C	1				
3-8	T-knob	3509-00319-01C	1				
3-9	Clamp assembly-short		2				
3-10	Quick-release clamp assembly		1				
3-11							
3-12							
3-13							
3-14							
3-15							
3-16							
3-17							
3-18							
3-19							
3-20							

