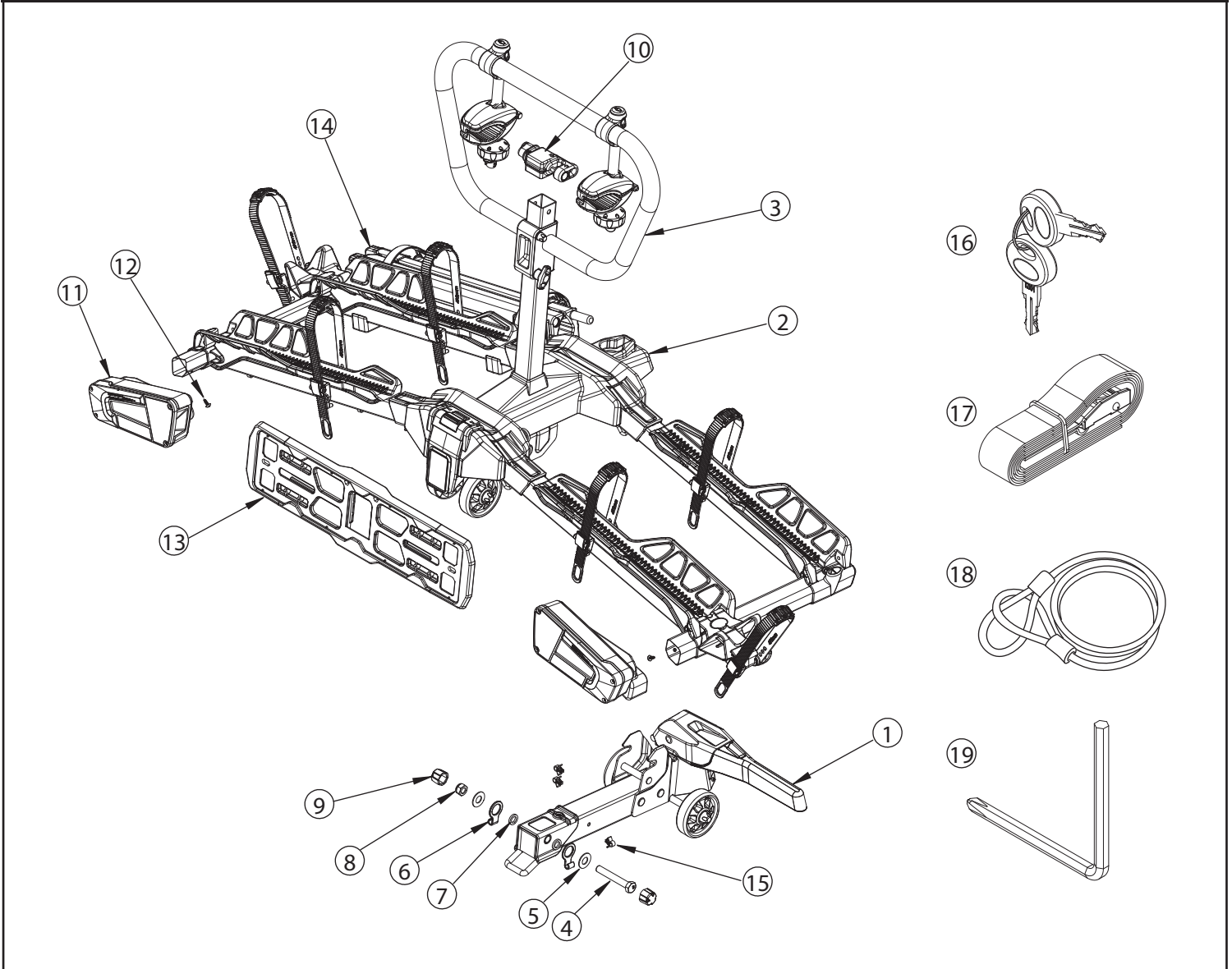
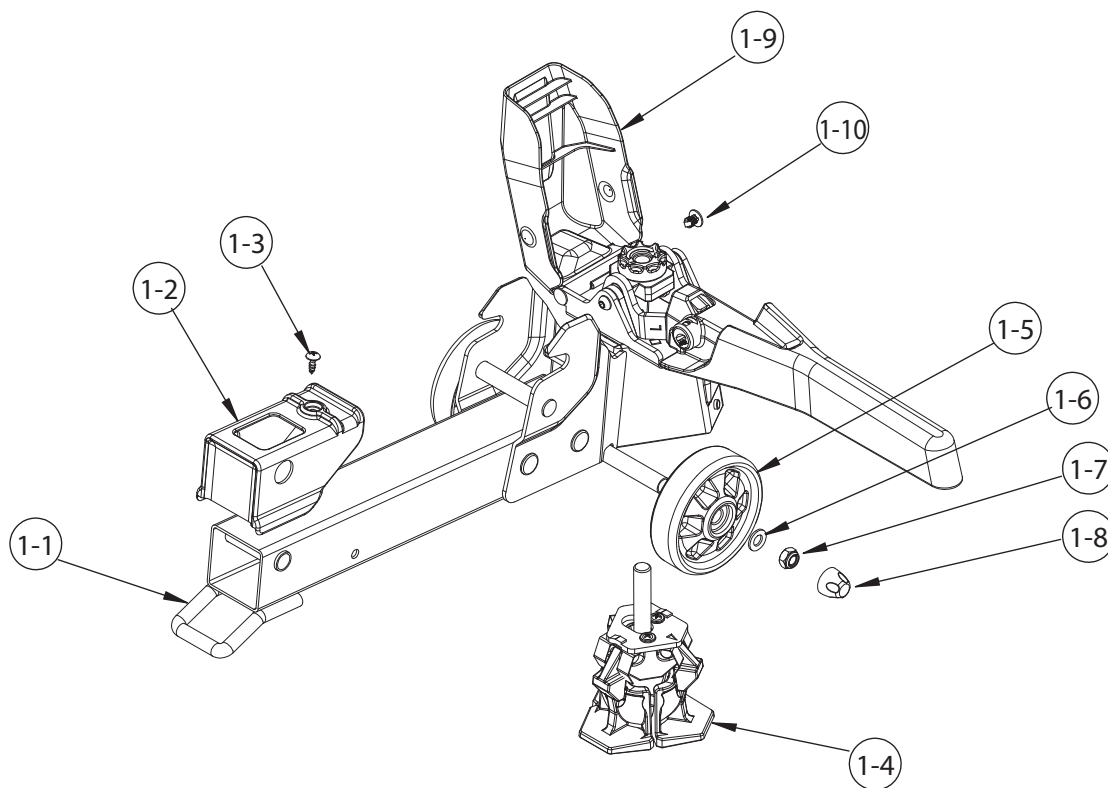


## SPARE PARTS



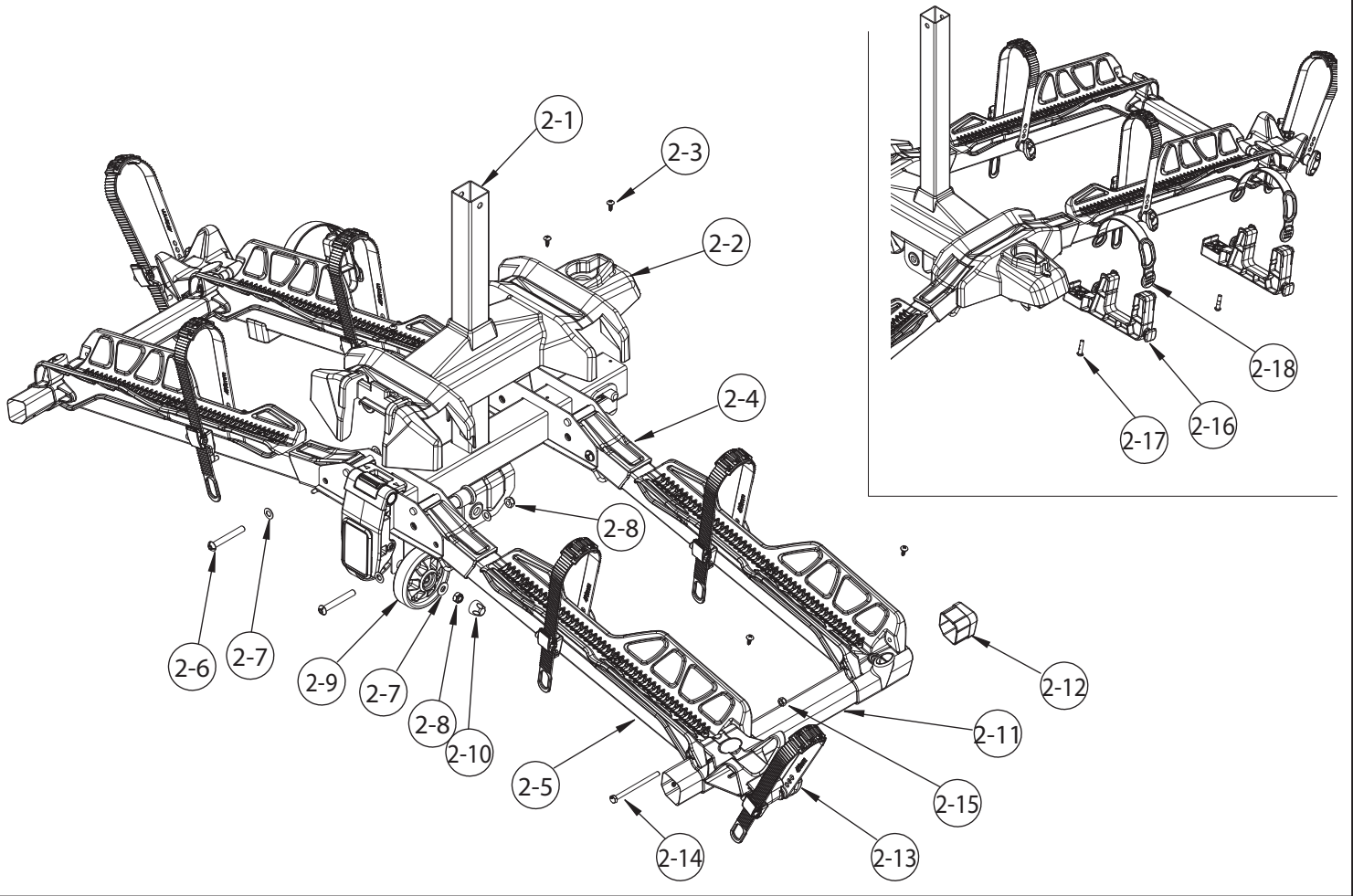
PART	DESCRIPTION	PART NUMBER	QTY.	PART	DESCRIPTION	PART NUMBER	QTY.
1	Foot assembly		1	16	Key	147-01905-99D	2
2	Platform assembly		1	17	Safety strap	3522-00072-03C-01	1
3	Top frame assembly		1	18	Cable lock 1400mm	149-00062-01C	1
4	Hex bolt M12x90mm	140-0312-005-04D	1	19	Allen key	144-00009-06D	1
5	Washer Ø14.2xØ30	142-1141-001-04D	2	20			
6	Wire buckle	130-00868-01C	2	21			
7	Washer Ø13xØ20	3342-00017-04D	2	22			
8	Nylock nut M12	141-0112-001-04D	1	23			
9	Screw cap Ø3/4"	130-00019-01C	2	24			
10	Locking cover assembly		1	25			
11	Light assembly	3505-00077-99C	1	26			
12	Screw Ø4.8x14	140-1783-002-04D	2	27			
13	License plate holder	3508-00455-01C	1	28			
14	E-ramp assembly		1	29			
15	Cable clip	130-00838-01C	8	30			

## SPARE PARTS



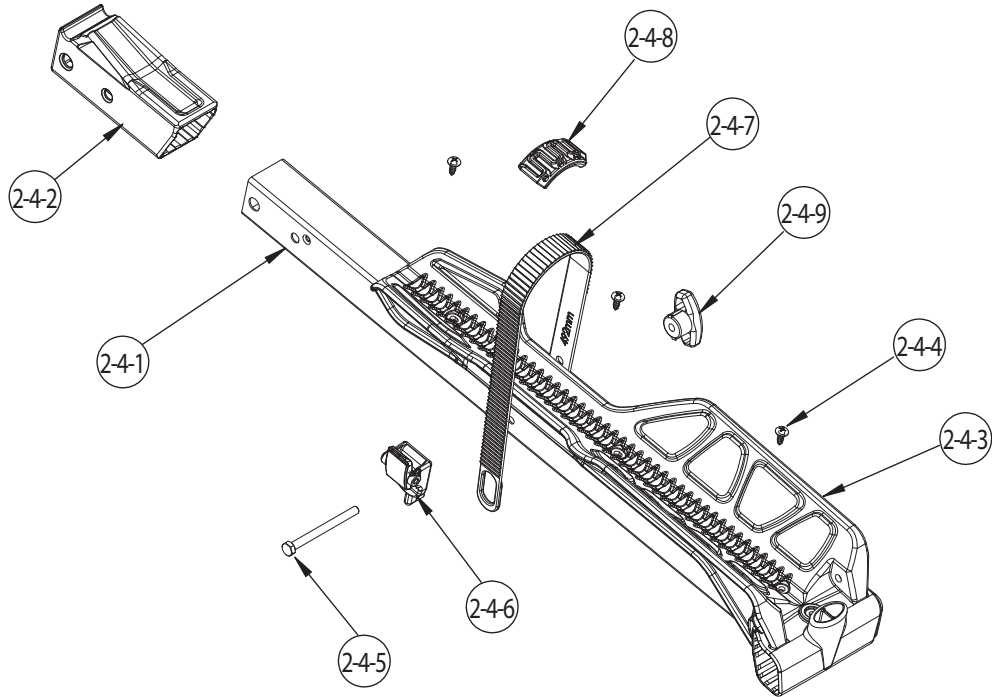
PART	DESCRIPTION	PART NUMBER	QTY.	PART	DESCRIPTION	PART NUMBER	QTY.
1-1	Foot assembly		1				
1-2	Bushing	130-00863-01C	1				
1-3	Screw Ø4.8x14	140-1783-002-04D	1				
1-4	Conical clamps assembly		1				
1-5	Wheel	130-00857-01C	2				
1-6	Washer Ø8.5xØ16	142-1085-002-04D	2				
1-7	Nylock nut M8	141-0108-001-04D	1				
1-8	Screw cap M8	130-00459-01C	2				
1-9	Cover	3508-00834-99C	2				
1-10	Plastic pin	130-00653-01C	2				
1-11							
1-12							
1-13							
1-14							
1-15							

## SPARE PARTS



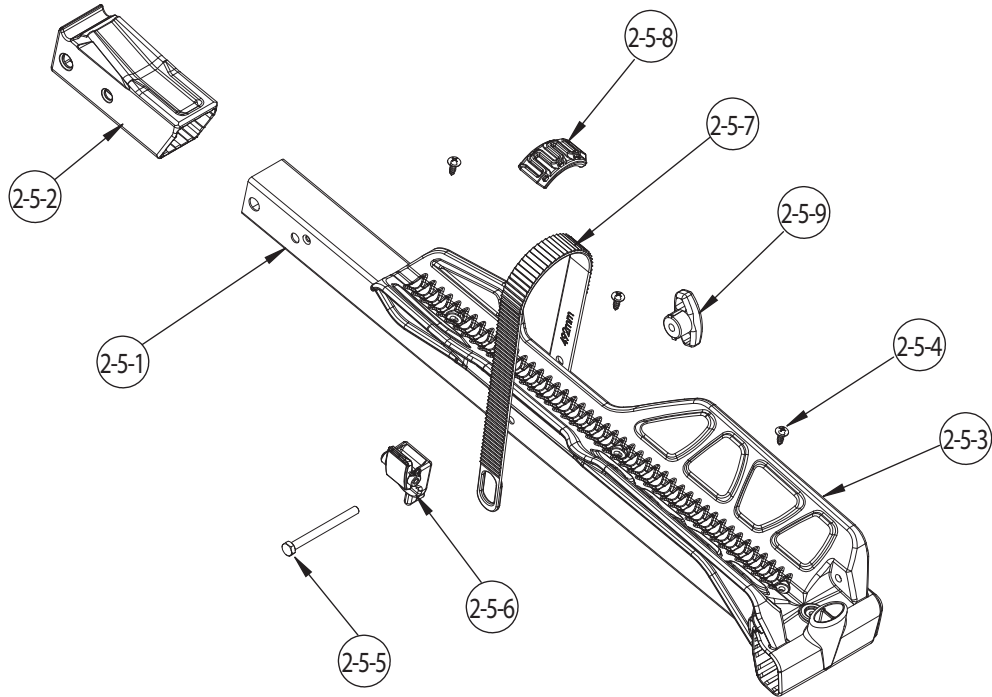
PART	DESCRIPTION	PART NUMBER	QTY.	PART	DESCRIPTION	PART NUMBER	QTY.
2-1	Folding system assembly		1				
2-2	Platform cover	130-00848-01C	1				
2-3	Screw Ø4.8x14	140-1783-002-04D	7				
2-4	Wheel support assembly		2				
2-5	Wheel support assembly		2				
2-6	Screw M8x60mm	140-1108-012-04D	4				
2-7	Washer Ø8.5xØ16	142-1085-002-04D	10				
2-8	Nylock nut M8	141-0108-001-04D	6				
2-9	Wheel	130-00857-01C	2				
2-10	Screw cap M8	130-00459-01C	2				
2-11	Aluminum tube	3420-00053-04P	2				
2-12	End cap	130-00737-01C	2				
2-13	Anti-sway assembly		2				
2-14	Hex bolt M6x 85mm	140-0306-043-04D	2				
2-15	Nylock nut M6	141-0106-001-04D	2				
2-16	E-ramp holder	130-00877-01C	2				
2-17	Screw M6x25mm	140-1106-026-04D	2				
2-18	Storage strap 230mm	130-00762-16C	2				
2-19							
2-20							

## SPARE PARTS



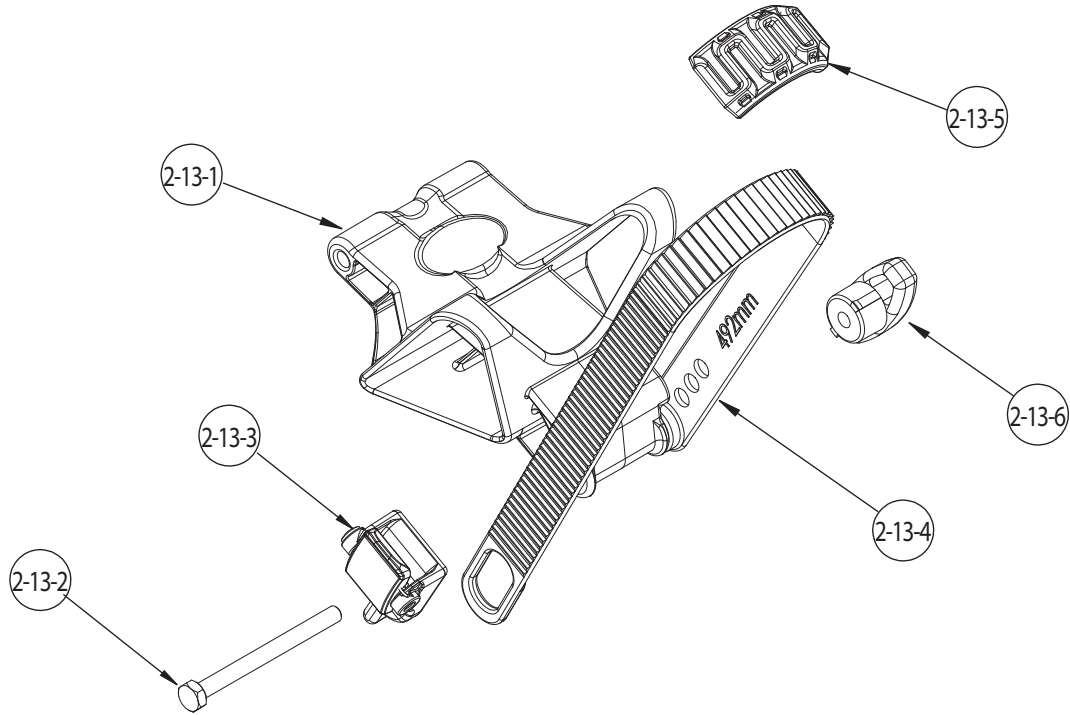
PART	DESCRIPTION	PART NUMBER	QTY.	PART	DESCRIPTION	PART NUMBER	QTY.
2-4-1	Wheel tube - back	3202-00182-04P	1				
2-4-2	Wheel support tube end cap	130-00844-01C	1				
2-4-3	Wheel support	130-00735-01C	1				
2-4-4	Screw Ø4.8x14	140-1783-002-04D	3				
2-4-5	Hex bolt M6x70mm	140-0306-041-04D	1				
2-4-6	Ratchet for wheel strap	3509-00318-16C	1				
2-4-7	Wheel strap 492mm	130-00687-01C	1				
2-4-8	Strap pad	130-00637-16C	1				
2-4-9	T-knob	3509-00319-01C	1				
2-4-10							
2-4-11							
2-4-12							
2-4-13							
2-4-14							
2-4-15							
2-4-16							
2-4-17							
2-4-18							
2-4-19							
2-4-20							

## SPARE PARTS



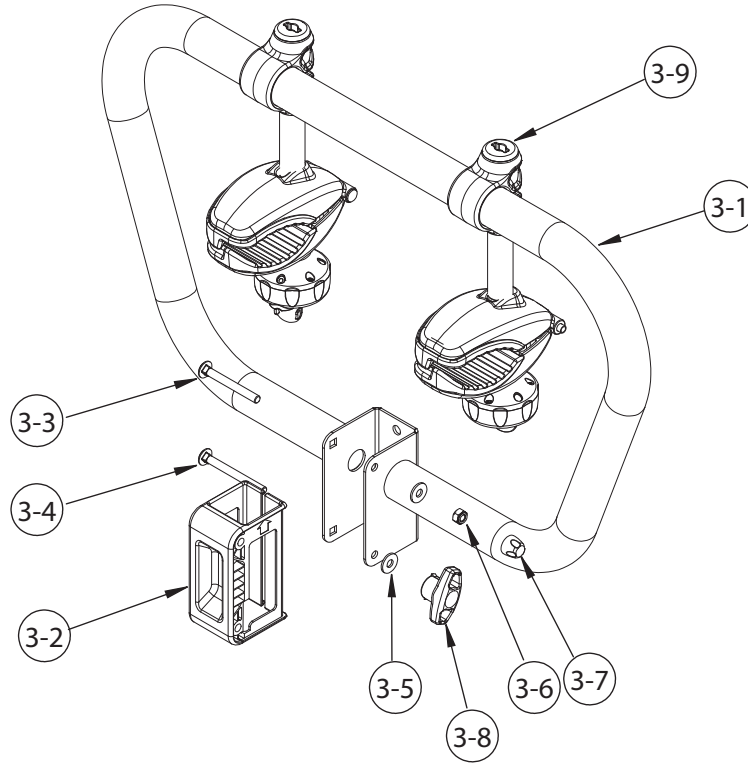
PART	DESCRIPTION	PART NUMBER	QTY.	PART	DESCRIPTION	PART NUMBER	QTY.
2-5-1	Wheel tube - front	3202-00178-04P	1				
2-5-2	Wheel support tube end cap	130-00844-01C	1				
2-5-3	Wheel support	130-00735-01C	1				
2-5-4	Screw Ø4.8x14	140-1783-002-04D	3				
2-5-5	Hex bolt M6x70mm	140-0306-041-04D	1				
2-5-6	Ratchet for wheel strap	3509-00318-16C	1				
2-5-7	Wheel strap 492mm	130-00687-01C	1				
2-5-8	Strap pad	130-00637-16C	1				
2-5-9	T-knob	3509-00319-01C	1				
2-5-10							
2-5-11							
2-5-12							
2-5-13							
2-5-14							
2-5-15							
2-5-16							
2-5-17							
2-5-18							
2-5-19							
2-5-20							

## SPARE PARTS



PART	DESCRIPTION	PART NUMBER	QTY.	PART	DESCRIPTION	PART NUMBER	QTY.
2-13-1	Anti-sway	130-00750-01C	1				
2-13-2	Hex bolt M6x70mm	140-0306-041-04D	1				
2-13-3	Ratchet for wheel strap	3509-00318-16C	1				
2-13-4	Wheel strap 492mm	130-00687-01C	1				
2-13-5	Strap pad	130-00637-16C	1				
2-13-6	T-knob	3509-00319-01C	1				
2-13-7							
2-13-8							
2-13-9							
2-13-10							

## SPARE PARTS



PART	DESCRIPTION	PART NUMBER	QTY.	PART	DESCRIPTION	PART NUMBER	QTY.
3-1	Vertical frame	3203-00131-04P	1				
3-2	Bushing	130-00820-01C	1				
3-3	Carriage bolt M6x55mm	140-0106-023-04D	1				
3-4	Carriage bolt M6x62mm	140-0106-026-04D	1				
3-5	Washer Ø6.5xØ16	142-1065-004-04D	2				
3-6	Nylock nut M6	141-0106-001-04D	1				
3-7	Screw cap M6	130-00458-01C	1				
3-8	T-knob	3509-00319-01C	1				
3-9	Clamp assembly		2				
3-10							
3-11							
3-12							
3-13							
3-14							
3-15							
3-16							
3-17							
3-18							
3-19							
3-20							





