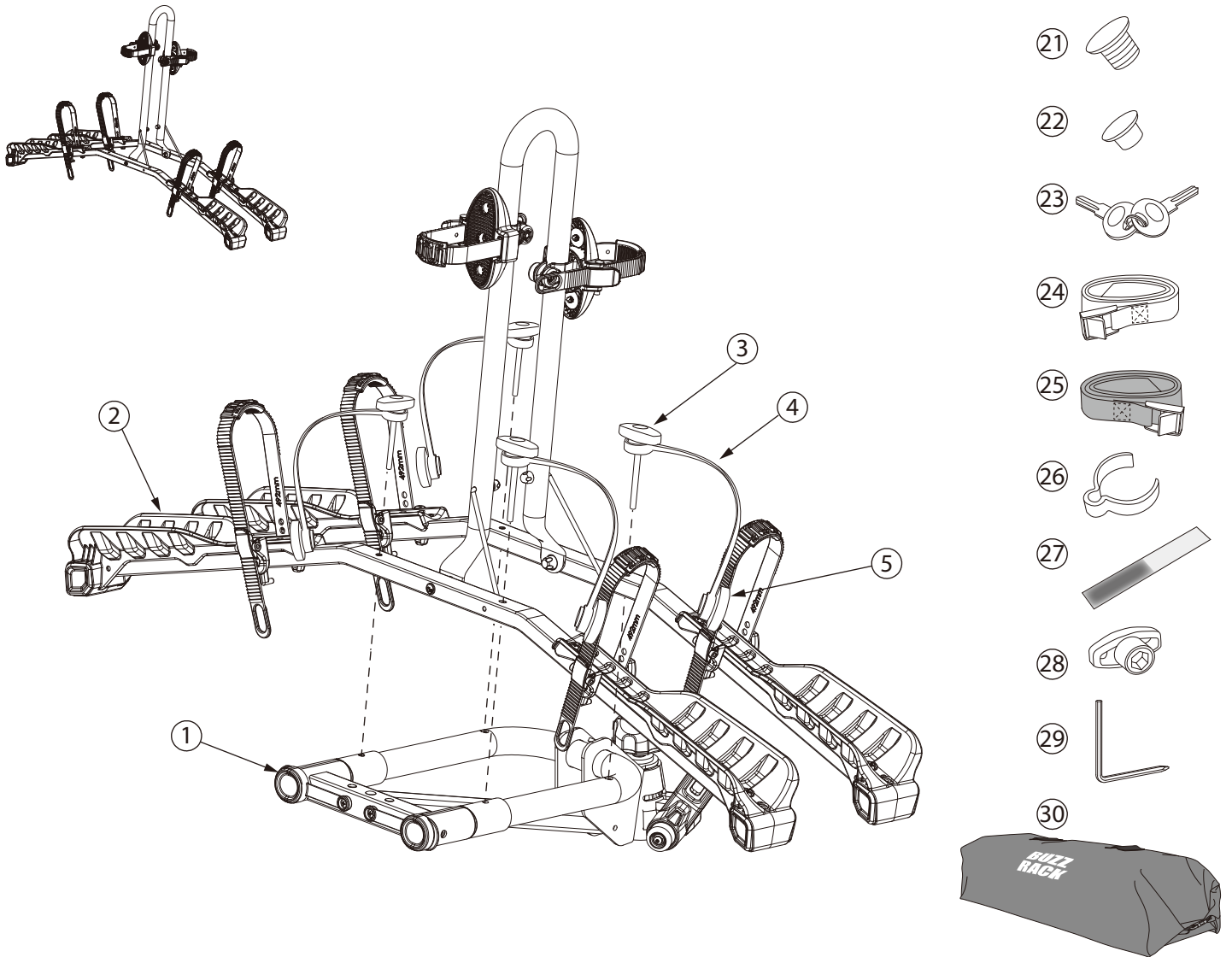
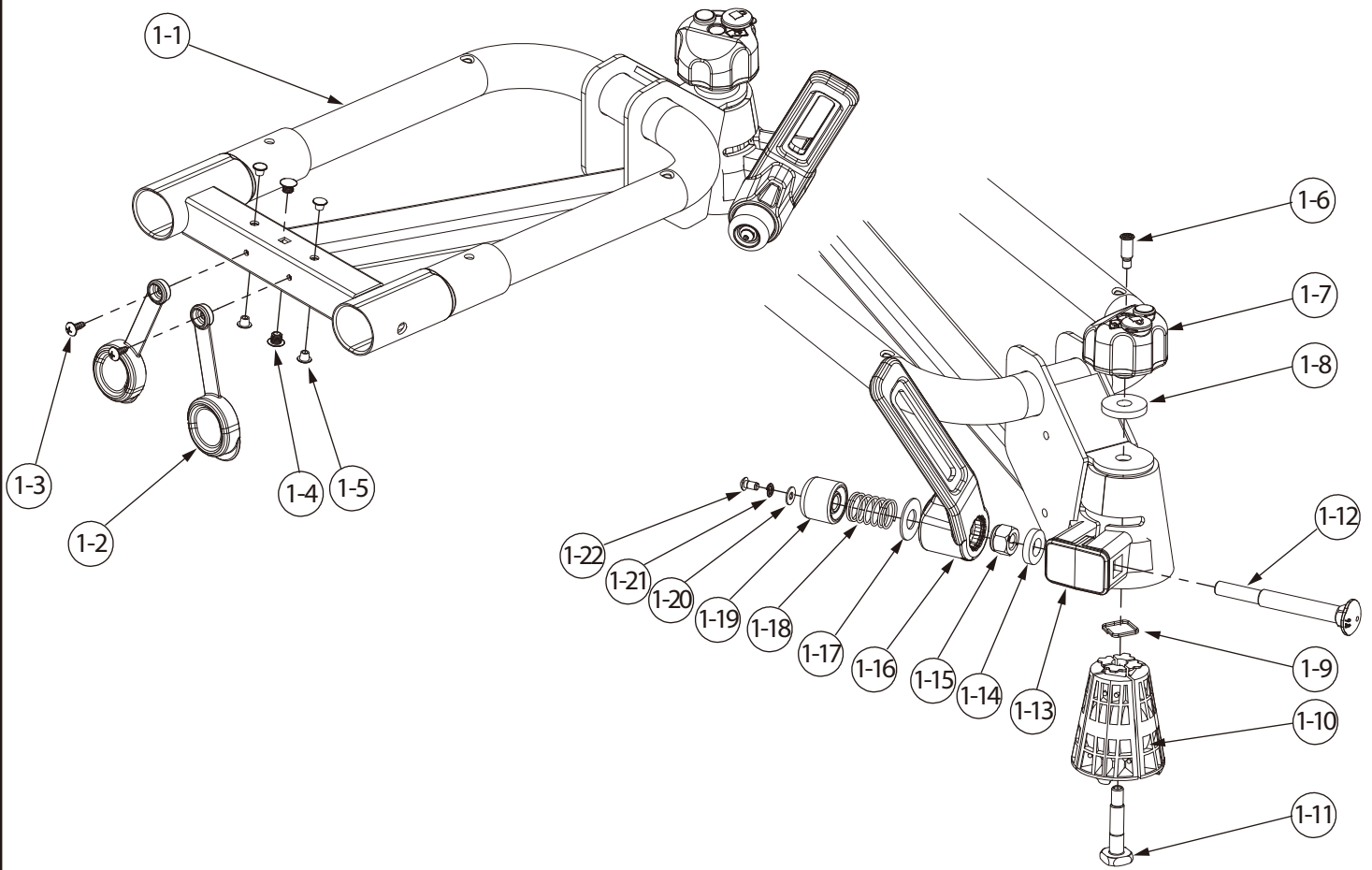


SPARE PARTS



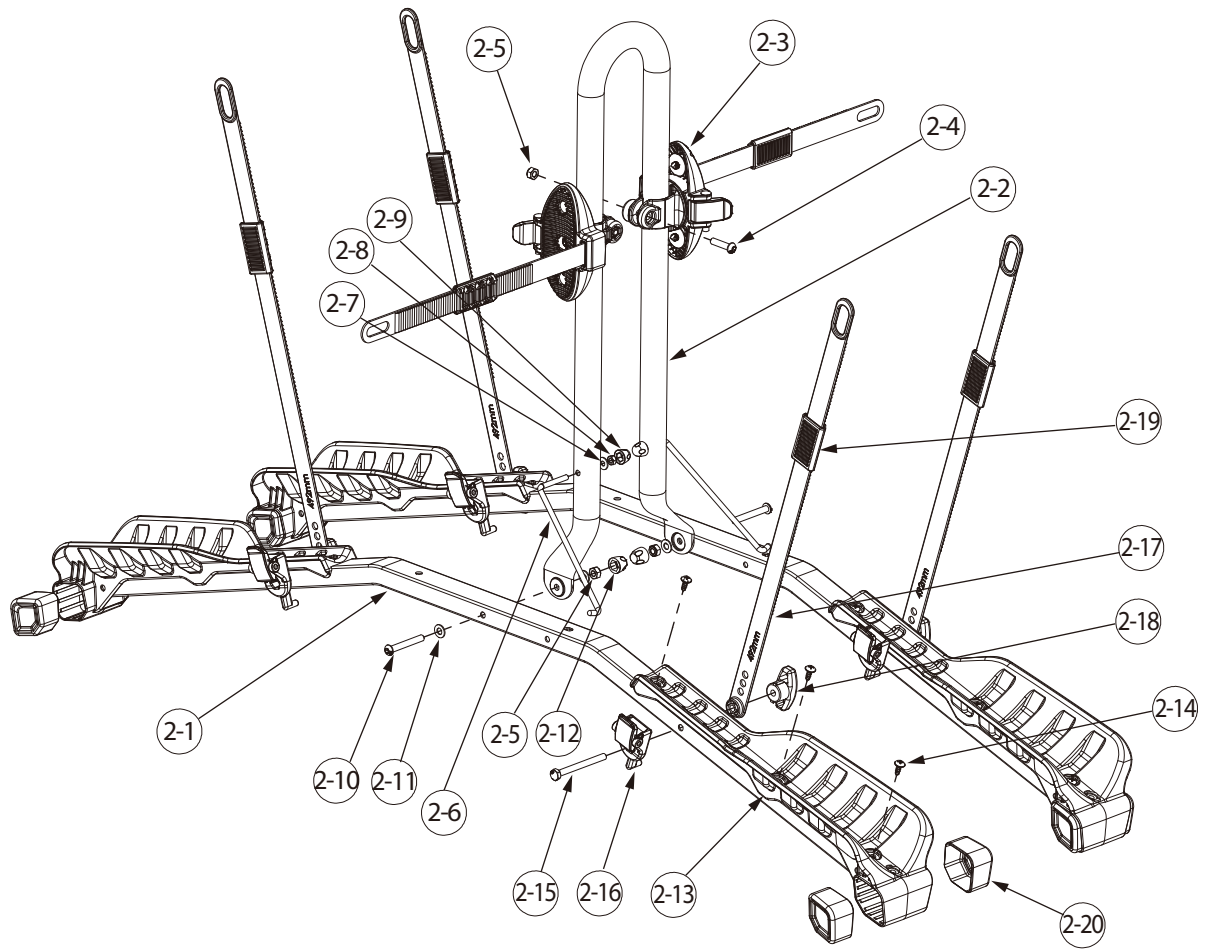
PART	DESCRIPTION	PART NUMBER	QTY.	PART	DESCRIPTION	PART NUMBER	QTY.
1	Foot assembly		1	16	Light board assembly	3505-00037-99C	1
2	Platform assembly		2	17	Screw M6x20mm	140-1106-004-04D	2
3	Knob assembly(Hex bolt M6x80mm)	3509-00328-16C	8	18	Spring washer M6	142-2006-001-04D	2
4	Knob strap	130-00473-16C	8	19	Nylock nut M6x1.0	141-0106-001-04D	2
5	T-knob M6 (gray)	3509-00319-16C	8	20	Screw cap M6	130-00458-01C	2
6	Extension tube assembly		1	21	Cap Ø7.2	130-00355-01C	4
7	Knob assembly(Hex bolt M8x45mm)	3503-00141-01C	2	22	Cap Ø6.5	130-00656-01C	8
8	Knob strap	130-00866-16C	2	23	Key	147-01905-99D	2
9	Platform (welding assembly)	3206-00112-04P	1	24	Strap with buckle(for bag)	3523-00283-01C	2
10	Platform handle	3205-00231-04P	1	25	Safety strap	3522-00197-03C	1
11	Carriage bolt M6x40mm	140-0106-015-04D	2	26	C-clip Ø1.5"	130-00754-01C	2
12	T-knob M6 (black)	3509-00319-01C	3	27	Velcro strap	133-0300-021-01C	1
13	Light bracket	3209-00380-04P	1	28	T-wrench	132-00022-05C	1
14	Carriage bolt M6x50mm	140-0106-022-04D	1	29	Allen key	144-00009-06D	1
15	Washer Ø6.5xØ13	142-1065-003-04D	5	30	Waterproof bag	139-00252-01C	1

SPARE PARTS



PART	DESCRIPTION	PART NUMBER	QTY.	PART	DESCRIPTION	PART NUMBER	QTY.
1-1	Welding assembly	3205-00230-04P	1	1-21	Spring washer M5	142-2005-001-04D	1
1-2	End cap	130-00805-16C	2	1-22	Screw M5x10mm	140-1105-004-04D	1
1-3	Screw Ø4.8x14mm	140-1783-002-04D	2	1-23			
1-4	Cap Ø7.2	130-00355-01C	2	1-24			
1-5	Cap Ø6.5	130-00656-01C	4	1-25			
1-6	Retainer	3509-00332-99C	1	1-26			
1-7	Locking knob M10	3503-00127-99C	1	1-27			
1-8	Washer Ø10.5xØ32	142-1105-003-04D	1	1-28			
1-9	Square spring	145-00055-13D	1	1-29			
1-10	Conical clamp	118-00146-00	4	1-30			
1-11	Square head bolt M10x50mm	140-0510-002-04D	1				
1-12	Carriage bolt M12x105mm	140-0112-008-04D	1				
1-13	Conic protector	130-00609-01C	1				
1-14	Washer Ø13xØ25	142-1130-005-04D	1				
1-15	Nylock nut M12	141-0112-003-04D	1				
1-16	Integrated spanner	3209-00369-16C	1				
1-17	Washer Ø14.2xØ30	142-1141-001-04D	1				
1-18	Spring	145-00034-13D	1				
1-19	Bushing	130-00728-01C	1				
1-20	Washer Ø5.3xØ12.8	142-1053-001-04D	1				

SPARE PARTS



PART	DESCRIPTION	PART NUMBER	QTY.	PART	DESCRIPTION	PART NUMBER	QTY.
2-1	Wheel support tube	3202-00124-04P	2				
2-2	U-tube	3201-00401-03P	1				
2-3	Cradle assembly	3509-00326-16C	2				
2-4	Screw M6x25mm	140-1106-005-04D	2				
2-5	Nylock nut M6	141-0106-001-04D	4				
2-6	Adjustment rod	3209-00278-04D	2				
2-7	Washer Ø5.0xØ12	142-1050-001-04D	2				
2-8	Nylock nut M5x0.8	141-0105-001-04D	2				
2-9	Screw cap M5	130-00859-01C	2				
2-10	Screw M6x45mm	140-1106-038-04D	2				
2-11	Washer Ø6.5xØ13	142-1065-003-04D	4				
2-12	Screw cap M6	130-00458-01C	2				
2-13	Wheel support	130-00736-01C	4				
2-14	Screw Ø4.8x14mm	140-1783-002-04D	12				
2-15	Hex bolt M6x60mm	140-0306-034-04D	4				
2-16	Ratchet assembly	3509-00318-16C	4				
2-17	Strap 492mm	130-00687-01C	4				
2-18	T-knob M6	3509-00319-01C	4				
2-19	Strap pad	130-00637-16C	4				
2-20	Cap	130-00867-01C	8				

