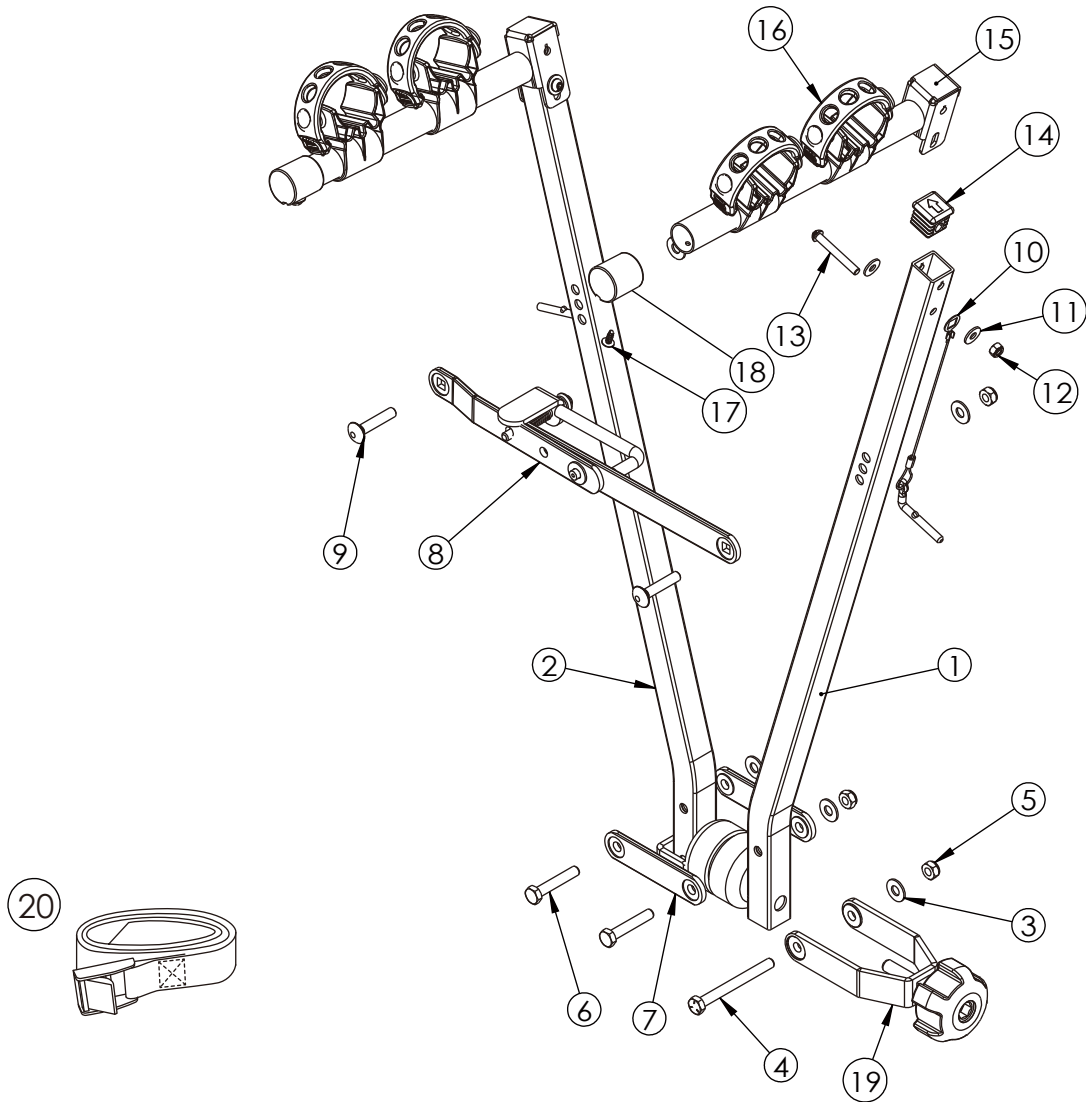


## SPARE PARTS



PART	DESCRIPTION	PART NUMBER	QTY.	PART	DESCRIPTION	PART NUMBER	QTY.
1	Square tube - right	3204-00088-02P	1	16	Cradle assembly		4
2	Sauare tube - left	3204-00087-02P	1	17	End cap Ø1"	130-00400-01C	2
3	Washer Ø8.5xØ19	142-1085-003-04D	5	18	Screw Ø4.8x14	140-1783-002-04D	2
4	Hex bolt M8x80mm	140-0308-020-06D	1	19	Hook with knob Assembly	3509-00339-99C	1
5	Nylock nut M8	141-0108-001-04D	5	20	Safety strap	3522-00072-03C-01	1
6	Hex bolt M8x45mm	140-0308-009-06D	2	21			
7	Flat plate	3209-00005-02P	2	22			
8	Handle Assembly	3509-00338-99C	1	23			
9	Carriage bolt M8x40mm	140-0108-004-06D	2	24			
10	Safety pin	3509-00125-99C	2	25			
11	Washer Ø6.5xØ16	142-1065-004-04D	4	26			
12	Nylock nut M6	141-0106-001-04D	2	27			
13	Screw M6x45mm	140-1006-002-04D	2	28			
14	End cap	130-00031-01C	2	29			
15	Arm tube	3203-00028-02P	2	30			

